



TYKCT-YD

Product features

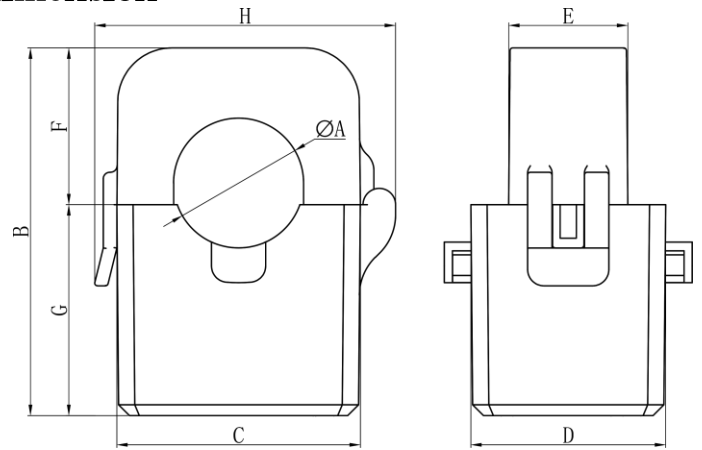
- Beautiful appearance and small size;
- Split core design, small core loss and high precision;
- Snap closure structure, convenient opening and closing;
- It is convenient to install without disconnecting the bus.



Electrical characteristics

- Maximum voltage of equipment: 0.66kV
- Rated input: 0~2000A
- Rated output: mA/mV
- working frequency: 50Hz~60Hz
- working temperature: -40℃~+85℃
- Relative humidity: ≤90% at 40℃
- Power frequency withstand voltage: 3000V/1mA/1min(50Hz)
- Insulation resistance: DC500V/1000MΩ

Overall dimension



Technical parameter

(rated secondary current 5A/1A)

Product model	Primary current (A)	load (VA)		
		Level 0.5S	Level 0.5	Level 1.0
TYKCT-YD24	100	/	/	/
	200	/	/	1
	300	/	1	2.5
TYKCT-YD36	300	/	1	2.5
	400	1	2.5	5
	500	2.5	5	7.5
	600	2.5	5	7.5
TYKCT-YD50	600	2.5	5	7.5
	800	5	7.5	10
	1000	5	10	15
TYKCT-YD64	1000	5	10	15
	1500	10	15	20
	2000	15	20	25

Product model	A (mm)	B (mm)	C (mm)	D (mm)	E (mm)	F (mm)	G (mm)	H (mm)
TYKCT-YD06	6	25	16	18	11	11	14	18
TYKCT-YD10	10	40	23	26	14	16	24	30
TYKCT-YD16	16	46	29.5	32	19.5	19	27	38
TYKCT-YD20	20	56	36	36	25.5	24	32	45
TYKCT-YD24	24	68	45	36	22	29	39	56
TYKCT-YD36	36	85	57	42	24	37	48	68
TYKCT-YD50	50	108	78	48	27	48	60	88
TYKCT-YD64	64	134	95	60	29	58	76	106

(rated secondary current mA/mV)

Product model	Rated primary current	Maximum continuous current	Product model	Rated secondary voltage	Load resistance	Accuracy class
TYKCT-YD06	0~25A	30A	0~50mA	333mV	0~10Ω	1.0 Level
TYKCT-YD10	0~63A	75A	0~100mA	0~1V	0~10Ω	0.5/1.0 Level
TYKCT-YD16	0~120A	150A	0~100mA	0~1V	0~10Ω	0.5/1.0 Level
TYKCT-YD20	0~200A	240A	0~100mA	0~1V	0~10Ω	0.5/1.0 Level
TYKCT-YD24	0~300A	360A	0~100mA	0~1V	0~10Ω	0.5S/0.5 Level
TYKCT-YD36	0~600A	720A	0~100mA	0~1V	0~10Ω	0.5S/0.5 Level
TYKCT-YD50	0~1000A	1200A	0~100mA	0~1V	0~10Ω	0.2/0.5S Level
TYKCT-YD64	0~2000A	2400A	0~100mA	0~1V	0~10Ω	0.2/0.5S Level