



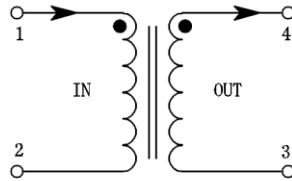
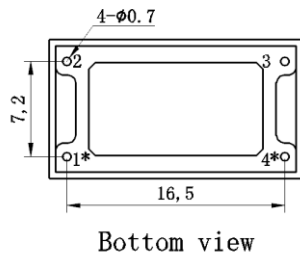
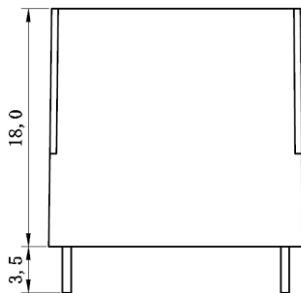
TYPT-H01CT



Product features

- Welded and installed on the circuit board;
- Good mechanical and environmental resistance.
- Small size, beautiful appearance and high precision;
- Fully enclosed potting, strong voltage isolation ability;

Overall dimension



Electrical characteristics

- Maximum voltage of equipment: 0.72kV
- Working frequency: 50Hz~60Hz
- Working temperature: -40℃~+85℃
- Relative humidity: ≤ 90% at 40℃
- Atmospheric pressure: 860~1060mbar (650~800mmHg)
- Power frequency withstand voltage: 4000V/1mA/1min(50Hz)
- Insulation resistance: DC500V/1000mΩ/min
- Insulation Class: Class F (155℃)
- Flame retardancy: Conform to ul94-v0 level

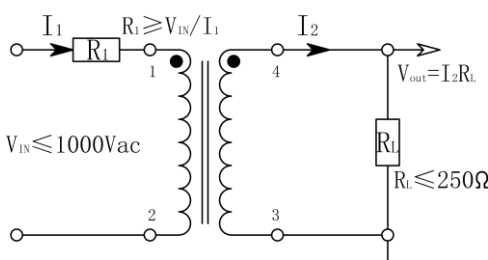
Technical parameter

Resistance method (as shown in Figure 1)

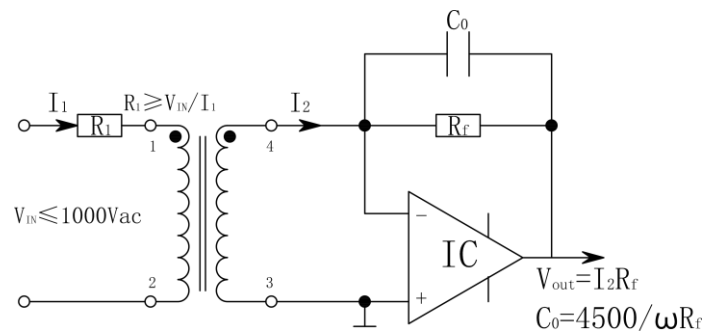
Product model	Rated primary current	Product model current	Load resistance	Linear range	Nonlinearity(5%~120%)	
					ratio error (%)	angle error (')
TYPT-H01CT	2mA/2mA	≤1000Vac	50Ω	0~1000V/0~10mA	≤0.2	≤30

IC method (as shown in Figure 2)

Product model	Rated primary current	Product model current	Load resistance	Linear range	Nonlinearity(5%~120%)	
					ratio error (%)	angle error (')
TYPT-H01CT	2mA/2mA	≤1000Vac	≤ 1/2 times IC power supply voltage	0~1000V/0~10mA	≤0.1	≤15



(Figure 1)



(Figure 2)