



## DG1 Guideway integrator

### Product introduction:

Roche coil and integrator is a very flexible system, which can solve many problems that traditional CT cannot solve. The integrator can be combined with Rogowski coils of different sizes to customize the input value according to different customer requirements. It is a solution to replace traditional CT.

### Application:

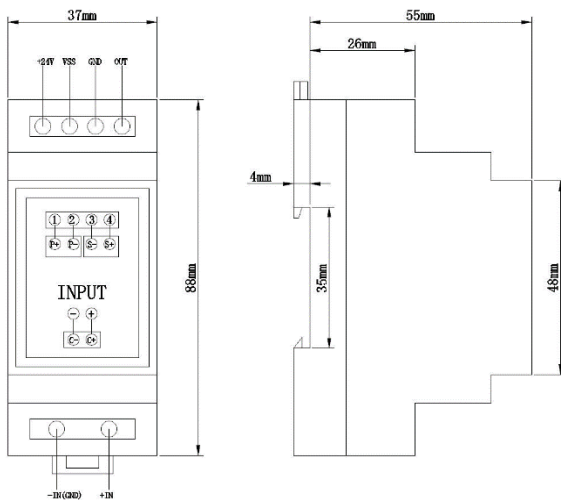
- Measuring device, laboratory instrument
- Power monitoring and analysis
- Harmonic and transient monitoring
- Welding machine control
- High current measurement
- PLC control system

### Advantage:

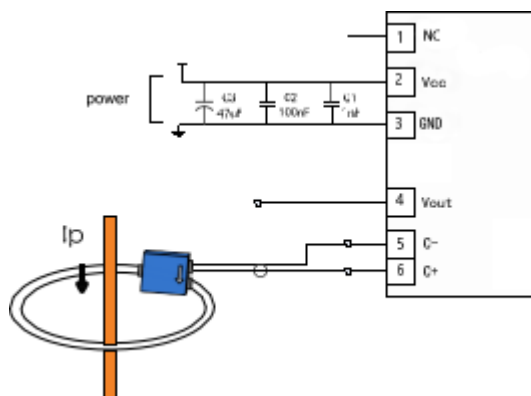
- The accuracy can reach 0.5%;
- Standard 35mm clamp rail installation;
- High bandwidth: 30 ~ 5KHz;
- Zero drift is as low as 2mV.



### Dimension drawing:



### Application examples:



### General parameters:

Project	Data
Rated current	100 ~ 6000A
Rated output	5V DC (true-rms)
Maximum output	5V DC (overload)
Output ripple factor	default 5%
Immediate response time	default 100ms(Adjustable)
Power Waste	200mW
Bandwidth	20 ~ 2kHz
Reading accuracy	0.5%, 1%(≥10A) to 200%F.S., @25°C
Phase error	≤0.5°
Linearity	±0.2%(1%~200%)
Minimum measuring current	1A(ripple 100mA)
0A output (zero drift)	≤2mV
Temperature drift	200ppm/°C
Weight	60g
Size	88*55*37mm
Power Supply	DC: 5V/12V/24V/48V Optional
Working temperature	-20°C ~ +70°C
Storage temperature	-30°C ~ +90°C
relative humidity	Max. 80%, non condensing
Degree of protection	IP20