



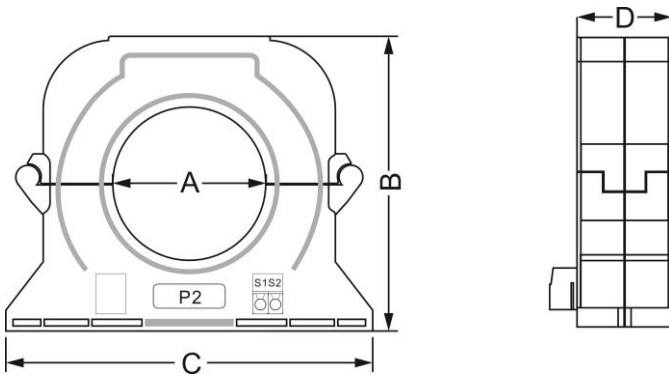
TYSKCT-YG



Product features

- Split core design, small core loss and high precision;
- Iron core nanocrystalline material, high sensitivity and good linearity;
- Screw type opening and closing structure, convenient opening and closing;
- There is no need to disconnect the bus, and the installation is convenient;

Overall dimension



Product model	A(mm)	B(mm)	C(mm)	D(mm)
TYSKCT-YG025	25	65	85	28
TYSKCT-YG045	45	85	110	28
TYSKCT-YG065	65	105	130	28
TYSKCT-YG080	80	130	160	32
TYSKCT-YG100	100	155	190	32

Application industry

- Smart power system
- Waterproof and leakage system
- Electrical fire monitoring system
- Small current grounding line selection system
- Microcomputer protection, motor protection, etc

Electrical characteristics

- Maximum voltage of equipment: 0.66kV
- Working current of main circuit: 63~1000A
- working frequency: 50~400Hz
- Storage temperature: -40℃~+85℃
- relative humidity: ≤ 90% at 40℃
- Power frequency withstand voltage: 3kV/1mA/1min (50Hz)
- insulation resistance: DC500V/1000MΩ/min

Technical parameter

Product model	Rated primary current	Product model	Rated secondary voltage	Accuracy class
TYSKCT-YG025	0-5A	0-10mA	0-1V	0.5/0.2
TYSKCT-YG045	0-5A	0-10mA	0-1V	0.5/0.2
TYSKCT-YG065	0-5A	0-10mA	0-1V	0.5/0.2
TYSKCT-YG080	0-5A	0-10mA	0-1V	0.5/0.2
TYSKCT-YG100	0-5A	0-10mA	0-1V	0.5/0.2

Overall dimension

