



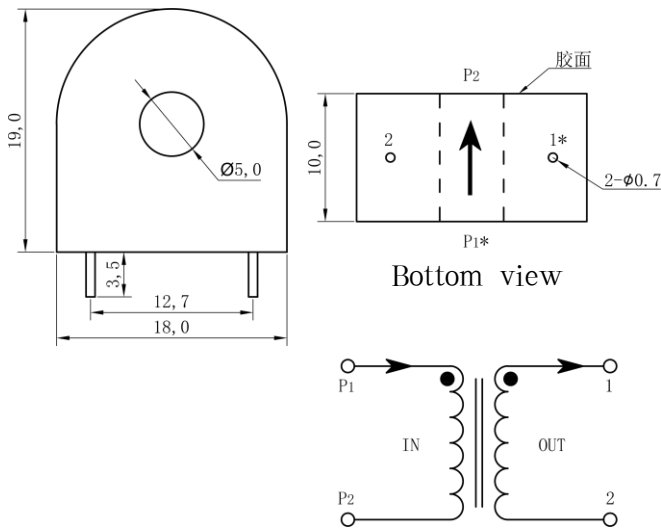
**TYCT-D001**



**Product features**

- Good mechanical and environmental resistance.
- Small size, beautiful appearance and high precision;
- Fully enclosed potting, strong voltage isolation ability;
- Vertical through core design, direct welding and installation of printed circuit board;

**Overall dimension**



**Electrical characteristics**

- Maximum voltage of equipment: 0.72kV
- Working frequency: 50Hz~60Hz
- Working temperature:  $-40^{\circ}\text{C} \sim +85^{\circ}\text{C}$
- Relative humidity:  $\leq 90\%$  at  $40^{\circ}\text{C}$
- Atmospheric pressure: 860~1060mbar (650~800mmHg)
- Power frequency withstand voltage: 4000V/1mA/1min(50Hz)
- Insulation resistance: DC500V/1000m $\Omega$ /min
- Insulation Class: Class F ( $155^{\circ}\text{C}$ )
- Flame retardancy: Conform to ul94-v0 level

**Technical parameter**

Resistance method (as shown in Figure 1)

Product model	Rated primary current	Product model current	Load resistance	Linear range	Nonlinearity(5%~120%)	
					ratio error (%)	angle error ( ' )
TYCT-D001	5A	2.5mA	100 $\Omega$	$\geq 4$ times rated	$\leq 0.2$	$\leq 20$

IC method (as shown in Figure 2)

Product model	Rated primary current	Product model current	Load resistance	Linear range	Nonlinearity(5%~120%)	
					ratio error (%)	angle error ( ' )
TYCT-D001	5A	2.5mA	$\leq 1/2$ times IC power supply voltage	$\geq 4$ times rated	$\leq 0.1$	$\leq 10$

