



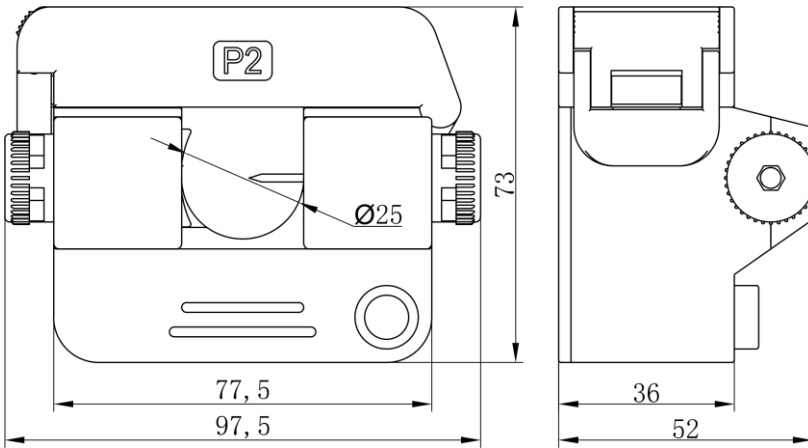
## TYKCT-YW24

### Product features

- Split core design, low core loss;
- Outdoor waterproof, waterproof grade IP67;
- Puncture to measure voltage and temperature signals;
- Snap type opening and closing structure, convenient opening and closing;
- There is no need to disconnect the bus, and the installation is convenient;



### Overall dimension



### Electrical characteristics

- Maximum voltage of equipment: 0.66kV
- Rated input: 0~300A
- Rated output: 5A/1A/mA/mV
- working frequency: 50Hz~60Hz
- working temperature: -40℃~+85℃
- Relative humidity: ≤90% at 40℃
- Power frequency withstand voltage: 3000V/1mA/1min(50Hz)
- Insulation resistance: DC500V/1000MΩ

### Technical parameter

(rated secondary current 5A/1A)

Product model	Primary current (A)	load (VA)		
		Level 0.5S	Level 0.5	Level 1.0
TYKCT-YW24	100	/	/	/
	200	/	/	1
	300	/	1	2.5

(rated secondary current mA/mV)

Product model	TYKCT-YW24
Rated primary current	0~300A
Maximum continuous current	360A
Rated secondary current	0~100mA
Rated secondary voltage	0~1V
Load resistance	0~10Ω
Accuracy class	0.5S/0.5 Level

### Schematic diagram

