



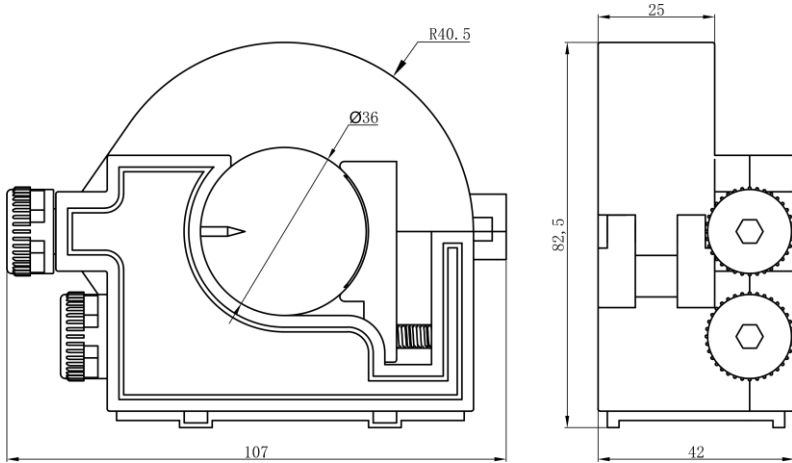
TYKCT-YN36



Product features

- Puncture to measure voltage and temperature signals;
- Split core design, small core loss and high precision;
- Screw type opening and closing structure, IP67 waterproof;
- There is no need to disconnect the bus, and the installation is convenient.
- Buckle box and passive wireless power acquisition module can be installed;

Overall dimension



Electrical characteristics

- Maximum voltage of equipment: 0.66kV
- Rated input: 0~600A
- Rated output: mA/mV
- working frequency: 50Hz~60Hz
- working temperature: -40℃~+85℃
- Relative humidity: ≤90% at 40℃
- Power frequency withstand voltage: 3000V/1mA/1min(50Hz)
- Insulation resistance: DC500V/1000MΩ

Technical parameter

(rated secondary current mA/mV)

Product model	Rated primary current	Maximum continuous current	Rated secondary current	Rated secondary voltage	Load resistance	Accuracy class
TYKCT-YN36	0~600A	720A	0~100mA	0~1V	0~10Ω	0.5S/0.5 Level

Schematic diagram

