

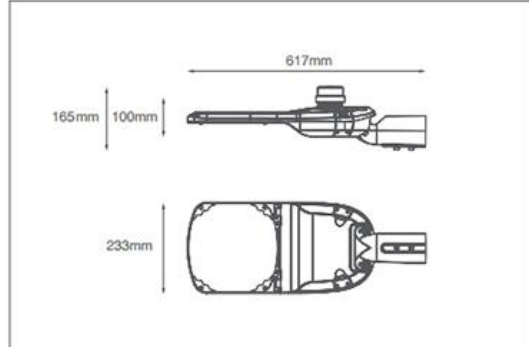
# PROJECT STREET LIGHT

## Technical Specification

**WOSEN 沃尔森**

Product Code: WS3002

Description: 100W LED Street Light (3/7pin, 0-10V DIMMING)



### General Information

Dimensions (mm)	617 (L) x 233 (W) x 100 (D)
Materials	Body: Powdercoated Aluminium Diffuser: Glass
Product Weight (Kg)	4.45
Ingress Protection	IP66
Impact Rating (IK)	10
Warranty (Years)	5

### Supply & Power Information

Input Voltage & Frequency (V~ / Hz)	85-265 50/60
Safety Class	I
Surge Protection Installed	Yes
Circuit Wattage (W)	100
LED Wattage (W)	100
Power Factor	>0.9
Operating Temperature (°C)	-20 to +50
Maximum Critical Temperature (°C)	+90
Input Terminations	3 Pole Screw Terminals

### Luminaire Output

Colour Temperature (K)	3000	4000	6000
Typical Luminous Flux (lm)	14000	14000	14000
Efficacy (lm/W)	140	140	140
Colour Rendering Index (CRI)	>70		
Flicker Free	Yes		
LED Lifetime (L70) (Hours)	50,000		

### Configuration optional

3PIN	optional
7PIN	optional
Dimmable	optional

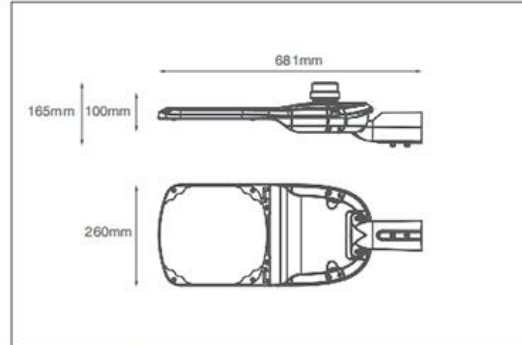
# PROJECT STREET LIGHT

## Technical Specification

**WOSEN 沃尔森**

Product Code: WS3004

Description: 200W LED Street Light (3/7pin, 0-10V DIMMING)



### General Information

Dimensions (mm)	681 (L) x 260 (W) x 100 (D)
Materials	Body: Powdercoated Aluminium Diffuser: Glass
Product Weight (Kg)	5.4
Ingress Protection	IP66
Impact Rating (IK)	10
Warranty (Years)	5

### Supply & Power Information

Input Voltage & Frequency (V~ / Hz)	85-265 50/60
Safety Class	I
Surge Protection Installed	Yes
Circuit Wattage (W)	200
LED Wattage (W)	200
Power Factor	>0.9
Operating Temperature (°C)	-20 to +50
Maximum Critical Temperature (°C)	+90
Input Terminations	3 Pole Screw Terminals

### Luminaire Output

Colour Temperature (K)	3000	4000	6000
Typical Luminous Flux (lm)	28000	28000	28000
Efficacy (lm/W)	140	140	140
Colour Rendering Index (CRI)	>70		
Flicker Free	Yes		
LED Lifetime (L70) (Hours)	50,000		

### Dimming Information

3PIN	optional
7PIN	optional
Dimmable	optional

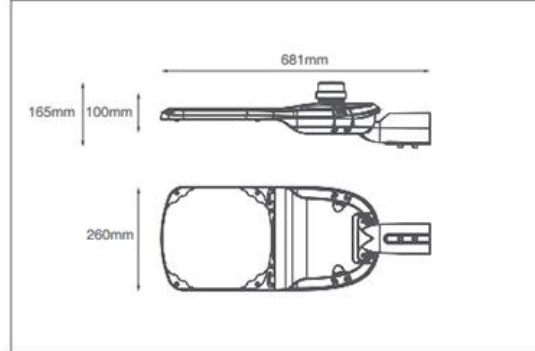
# PROJECT STREET LIGHT

## Technical Specification

**WOSEN** 沃尔森

Product Code: WS3003

Description: 150W LED Street Light (3/7pin, 0-10V DIMMING)



### General Information

Dimensions (mm)	681 (L) x 260 (W) x 100 (D)
Materials	Body: Powdercoated Aluminium Diffuser: Glass
Product Weight (Kg)	5.4
Ingress Protection	IP66
Impact Rating (IK)	10
Warranty (Years)	5

### Supply & Power Information

Input Voltage & Frequency (V~ / Hz)	85-265 50/60
Safety Class	I
Surge Protection Installed	Yes
Circuit Wattage (W)	150
LED Wattage (W)	150
Power Factor	>0.9
Operating Temperature (°C)	+20 to +50
Maximum Critical Temperature (°C)	+90
Input Terminations	3 Pole Screw Terminals

### Luminaire Output

Colour Temperature (K)	3000	4000	6000
Typical Luminous Flux (lm)	21000	21000	21000
Efficacy (lm/W)	140	140	140
Colour Rendering Index (CRI)	>70		
Flicker Free	Yes		
LED Lifetime (L70) (Hours)	50,000		

### Configuration optional

3PIN	optional
7PIN	optional
Dimmable	optional

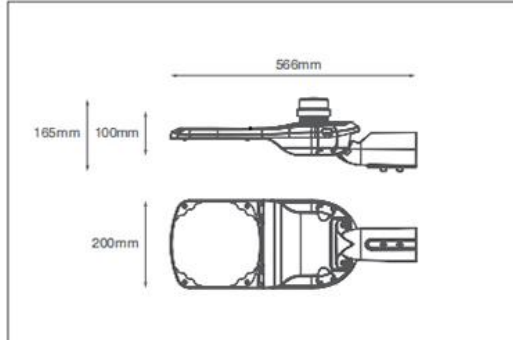
# PROJECT STREET LIGHT

## Technical Specification

**WOSEN** 沃尔森

Product Code: WS3001

Description: 50W LED Street Light (3/7pin, 0-10V DIMMING)



### General Information

Dimensions (mm)	566 (L) x 200 (W) x 100 (D)
Materials	Body: Powdercoated Aluminium Diffuser: Glass
Product Weight (Kg)	3.66
Ingress Protection	IP66
Impact Rating (IK)	10
Warranty (Years)	5

### Supply & Power Information

Input Voltage & Frequency (V~ / Hz)	85-265 50/60
Safety Class	I
Surge Protection Installed	Yes
Circuit Wattage (W)	50
LED Wattage (W)	50
Power Factor	>0.9
Operating Temperature (°C)	-20 to +50
Maximum Critical Temperature (°C)	+90
Input Terminations	3 Pole Screw Terminals

### Luminaire Output

Colour Temperature (K)	3000	4000	6000
Typical Luminous Flux (lm)	7000	7000	7000
Efficacy (lm/W)	140	140	140
Colour Rendering Index (CRI)	> 70		
Flicker Free	Yes		
LED Lifetime (L70) (Hours)	50,000		

### Configuration optional

3PIN	optional
7PIN	optional
Dimmable	optional