

HIGH BAY LIGHT FH5

Ultra-high efficiency
up to 140 lm/W



Note: Not all of the products indicated in this specification are DLC premium qualified, please refer to <https://www.designlights.org/searcher> for more details.

HIGH LIGHT · DURABLE · SAVE COST
100W/150W/200W

Suitable for Factory / Warehouse / Indoor Basketball / Court / Gym / Shopping mall and other Industrial and Commercial venues

Features

UL Listing: Suitable for wet locations

LEDs: Long-life, high-efficiency, surface mount LEDs

Lifespan: 100,000-hour LED lifespan based on IES LM-80 results and TM-21 calculations

Drivers:

100W:

Constant current, 50/60 Hz., 120-277V, 0.83A @ 120V, 0.48A @ 208V, 0.42A @ 240V, 0.36A @ 277V;

150W:

Constant current, 50/60 Hz., 120-277V, 1.25A @ 120V, 0.72A @ 208V, 0.62A @ 240V, 0.54A @ 277V;

200W:

Constant current, 50/60 Hz., 120-277V, 1.67A @ 120V, 0.96A @ 208V, 0.83A @ 240V, 0.72A @ 277V;

CCT: Available in 4000K, 5000K & 6000K color temperature per ANSI C78.377

Dimming: 0-10V dimming, Continuous

Reflector Options: white aluminum reflector available in 8.9" (228mm)height; PC reflector .

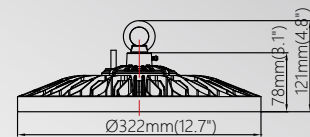
Finish: Black(standard)/Customerization.

Housing: ADC12 die-cast aluminum

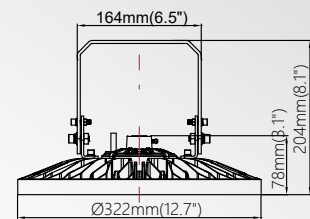


Dimension

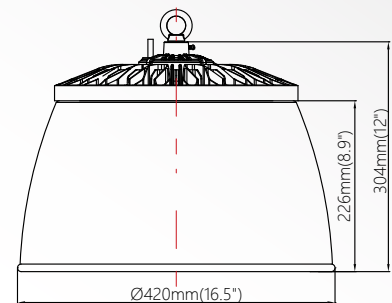
Unit:MM/INCH



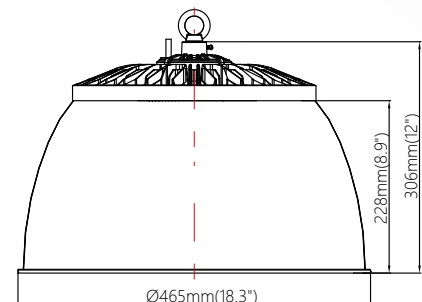
Hanging ring



U-Bracket(Options)



AL-Reflector(Options)



PC-Reflector(Options)

Reflectors



Aluminum Reflector



PC Reflector

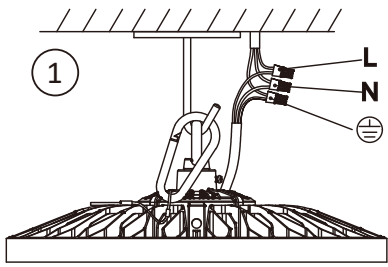
DATA SHEET				
OPTICS	Input Power (W)	100W	150W	200W
	Lumens Delivered @ 5000K	14,000 lm	21,000 lm	28,000 lm
	Efficacy (lm/W)	>140lm/W		
	CRI	>80		
	IES LM-80 results and TM-21 calculations	>100,000 hours		
	CCT	Available in 4000K, 5000K & 6000K		
ELECTRICAL	Input Voltage	AC220-240V / AC120-277V ,50/60Hz		
	Max THD %	<10%		
	Power Factor	>95%		
PHYSICAL	Housing	ADC12 die-cast aluminum		
	Lens Type	PC		
	Weight(N.W)	2.5KG/5.5LB (LED driver integrated) & 2.8KG/6.2LB (LED driver split type)		
CERTIFICATION	Certification	UL listed, FCC,CE,RoHS,SAA		
	Environment	Wet location listed, IP65		
THERMAL	Operating Temperature	-40°F - 113°F (-40°C - 45°C)		
	Humidity	10% - 90% RH, non condensing		
QUALIFICATION	DesignLights Consortium	Listed on QPL DLC 5.1 Premium		
Surge Protection	Built-in 6kV surge protection			
Accessory	Ring bolt mounting accessory included with safety hanging kit			

Ordering Guide

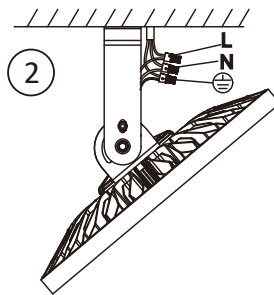
Model: FH5-ABCD-EFGH-IHKLM, For example: FH5-100WLD-50K8023-SBKM

Electric Character				Optics Character				Physical Character				Smart Optional
A	B	C	D	E	F	G	H	I	J	K	L	M
Rated power	Input voltage	Driver brand	Dimming	CCT	CRI	LED CHIP	Beam Angle	Dimension	Color	Installation	Lens	Sensor
100W 150W 200W	L-≤277V H-≥277V	Blank or 1-5	Blank-No dimmable D-Dimmable	40K-4000K 50K-5000K 60K-6000K	80-Ra80	1-10	3-110°	S-D322mm	BK-Black BR-Brown WH-White	Blank-Ring U-U-bracket E-E40 base	Blank-PC	Blank-No sensor M-Microwave Sensor P-PIR Sensor MWB-Microwave Sensor+WiFi+Bluetooth

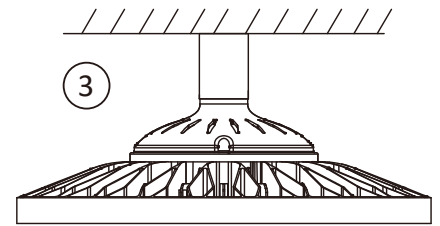
Installation diagram:



Hanging ring



U-Bracket



E40 base

Wiring diagram

Wiring Connection

Turn off the power, connect AC wire.

Dimmer connection (With dimmable driver.)

1. Compatible with 0-10V dimming.
2. Connect wires as below (Figure 1).

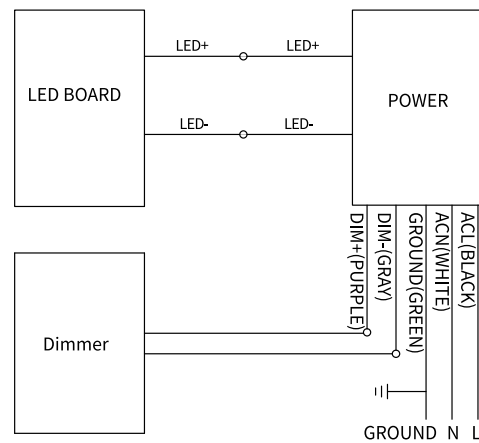
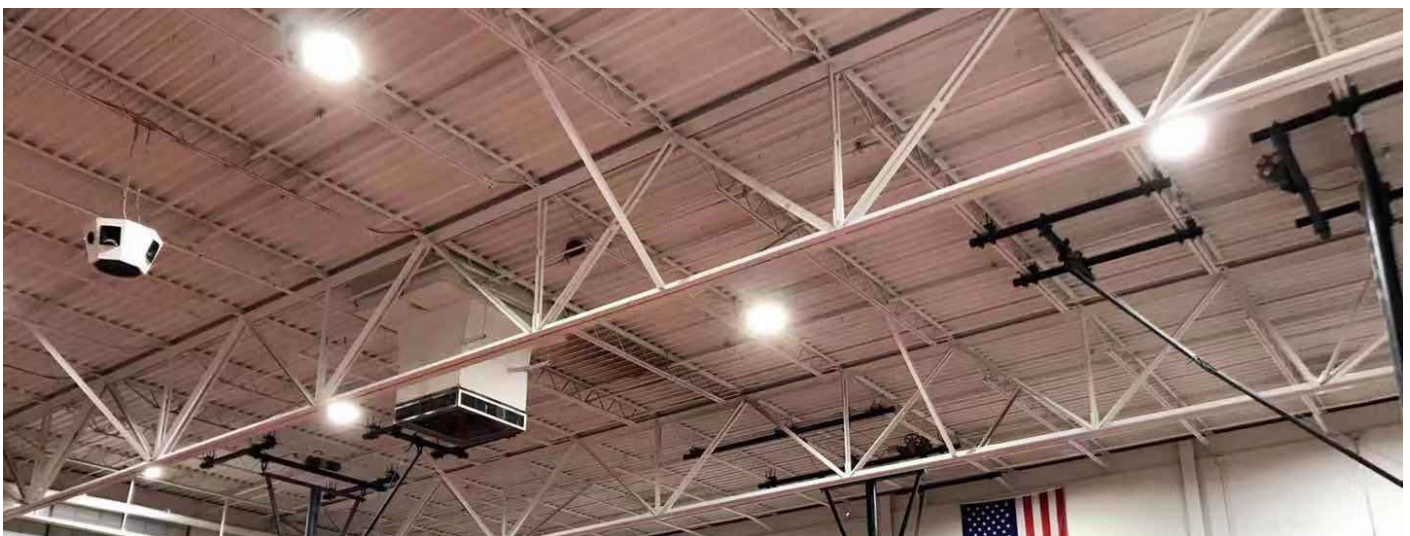


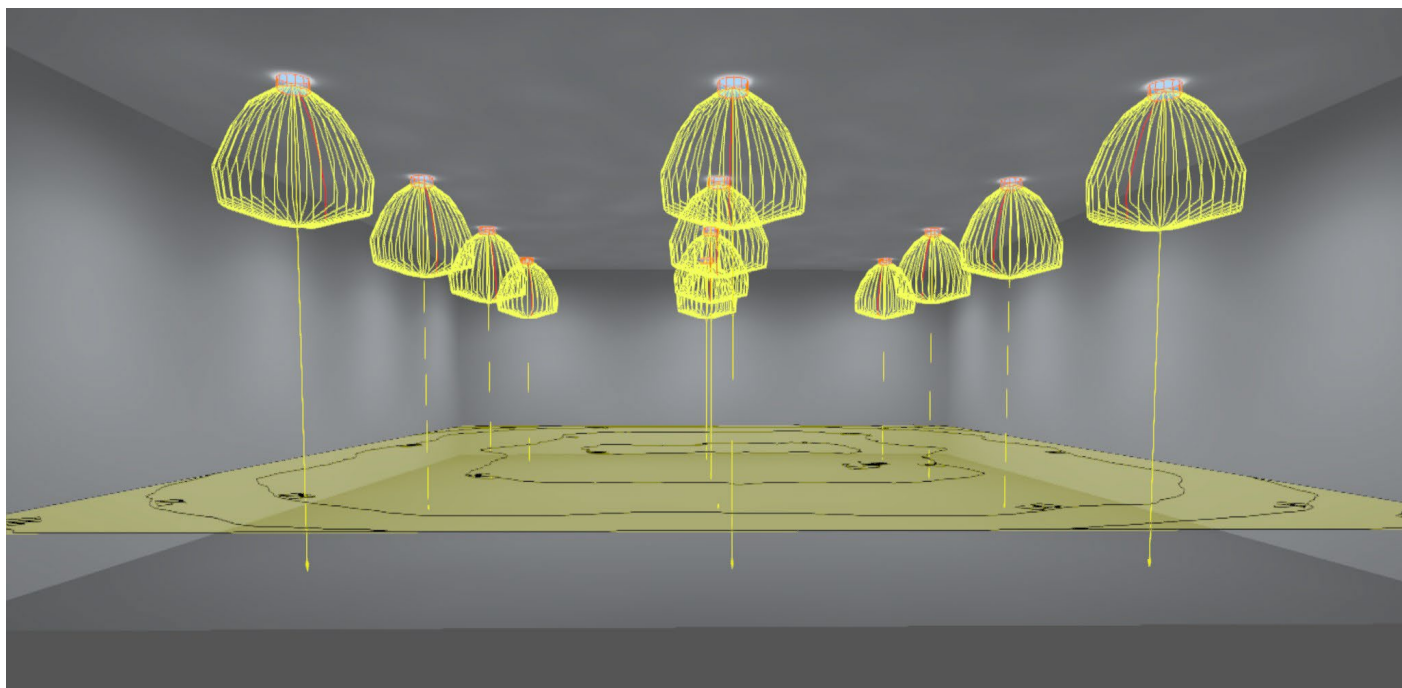
Figure 1



Optics

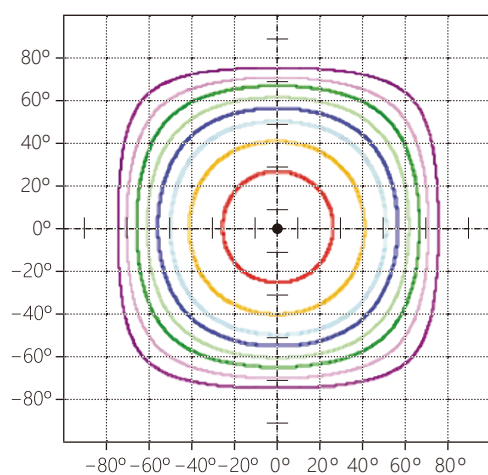
Tech.Support:

Tell us the room L,W and usage,we have an engineer team to respond the DIALUX for lights quantity and effects, IES files are available upon request.

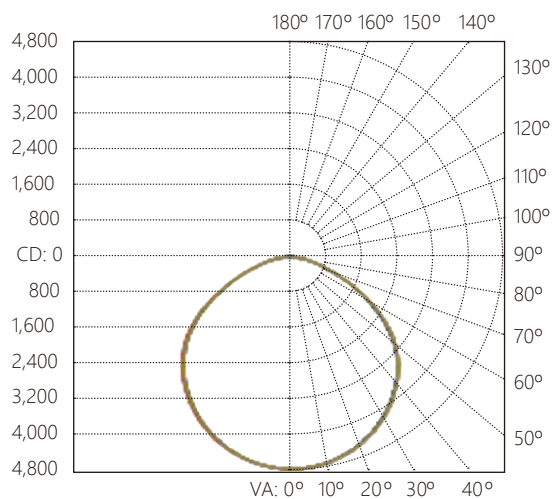


PHOTOMETRIC SPECIFICATIONS

ISOCANDELA PLOT



POLAR CANDELA DISTRIBUTION



Package



Inner box



Carton

Type	Package			
Model	100W/150W/200W (LED driver integrated)		100W/150W/200W (LED driver split type)	
Packing	Inner box	Carton	Inner box	Carton
Packing QTY	1pcs/CTN	5pcs/CTN	1pcs/CTN	5pcs/CTN
CTN SIZE	332x88x337 MM 13.1x3.5x13.3 INCH	495x360x373 MM 19.5x14.1x14.7 INCH	332x88x337 MM 13.1x3.5x13.3 INCH	495x360x373 MM 19.5x14.1x14.7 INCH
N.W.	2.5KG/5.5LB	12.5KG/27.6LB	2.8KG/6.2LB	14KG/30.9LB
G.W.	2.8KG/6.2LB	14.8KG/32.6LB	3.1KG/6.8LB	16.3KG/35.9LB
20GP	1920CTN	384CTN	1920CTN	384CTN
40GP	4000CTN	800CTN	4000CTN	800CTN
40HQ	4895CTN	979CTN	4895CTN	979CTN

