

HIGH BAY LIGHT FH8

Ultra-high efficiency
up to 190 lm/W



Note: Not all of the products indicated in this specification are DLC premium qualified, please refer to <https://www.designlights.org/searcher> for more details.

HIGH LIGHT · DURABLE · SAVE COST
100W/150W/200W/240W

Suitable for Factory / Warehouse / Indoor Basketball / Court / Gym / Shopping mall and other Industrial and Commercial venues

Features

UL Listing: Suitable for wet locations

LEDs: OSRAM, Long-life, high-efficiency, surface mount LEDs

Lifespan: 100,000-hour LED lifespan based on IES LM-80 results and TM-21 calculations

Drivers:

100W:

Constant current, 50/60 Hz., 120-277V, 0.83A @ 120V, 0.48A @ 208V, 0.42A @ 240V, 0.36A @ 277V;

150W:

Constant current, 50/60 Hz., 120-277V, 1.25A @ 120V, 0.72A @ 208V, 0.62A @ 240V, 0.54A @ 277V;

200W:

Constant current, 50/60 Hz., 120-277V, 1.67A @ 120V, 0.96A @ 208V, 0.83A @ 240V, 0.72A @ 277V;

240W:

Constant current, 50/60 Hz., 120-277V, 2.30A @ 120V, 1.16A @ 208V, 1.20A @ 240V, 0.88A @ 277V;

CCT: Available in 4000K, 5000K & 6000K color temperature per ANSI C78.377

Dimming: 0-10V dimming, Continuous

Reflector Options: Available in white Al reflector or PC reflector

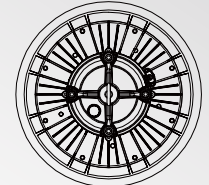
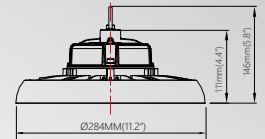
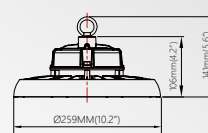
Finish: Black(standard)/Customerization.

Housing: ADC12 die-cast aluminum



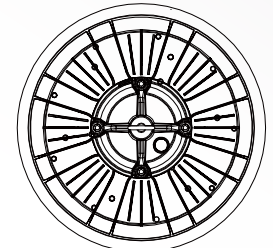
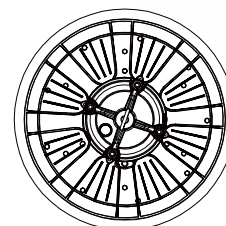
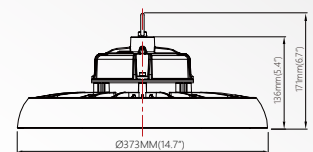
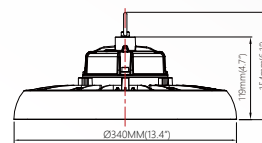
Dimension

Unit:MM/INCH



100W

150W



200W

240W

Reflectors



Aluminum Reflector



PC Reflector

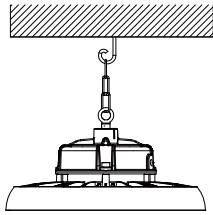
DATA SHEET					
OPTICS	Input Power (W)	100W	150W	200W	240W
	Lumens Delivered @ 5000K	19,000lm	18,500lm	38,000lm	45,600lm
	Efficacy (lm/W)	150lm/W or 170lm/W or 190lm/W			
	CRI	Ra70/Ra80			
	IES LM-80 results and TM-21 calculations	>100,000 hours			
	CCT	Available in 4000K, 5000K & 6000K			
ELECTRICAL	Input Voltage	AC220-240V / AC120-277V ,50/60Hz			
	Max THD %	<10%			
	Power Factor	>95%			
PHYSICAL	Housing	ADC12 die-cast aluminum			
	Lens Type	PC			
	Beam Angle	60°/90°/120°			
CERTIFICATION	Certification	ETL listed, FCC,CE,RoHS,SAA,3C			
	Environment	Wet location listed, IP65			
THERMAL	Operating Temperature	-40°F - 122°F (-40°C - 50°C)			
	Humidity	10% - 90% RH, non condensing			
QUALIFICATION	DesignLights Consortium	DLC 5.1 Premium			
Surge protector		4KV surge protection			
OTHER	Warranty	5-year standard warranty			

Ordering Guide

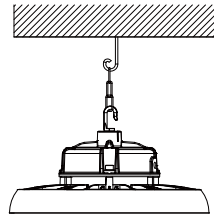
Model: FH8-ABCD-EFGH-IHKLM, For example: FH8-150WLD-50K8022-M8BK

Electric Character				Optics Character				Physical Character				Smart Optional
A	B	C	D	E	F	G	H	I	J	K	L	M
Rated power	Input voltage	Driver brand	Dimming	CCT	CRI	LED CHIP	Beam Angle	Dimension	Color	Installation	Lens	Sensor
100W 150W 200W 240W	L-≤277V H-≥277V	Blank or 1-5	Blank-No dimmable D-Dimmable	40K-4000K 50K-5000K 60K-6000K	70-Ra70 80-Ra80	1-10	1-60° 2-90° 3-120°	S8-Ø259MM M8-Ø284MM L8-Ø340MM XL8-Ø373MM	BK-Black WH-White	Blank-Ring U-U-bracket	Blank-PC G-Glass	Blank-No sensor M-Microwave Sensor P-PIR Sensor MWB-Microwave Sensor+WiFi+Bluetooth

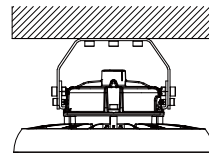
Installation Method:



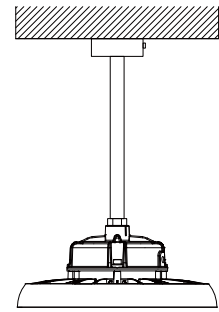
Ceiling with Loop



Ceiling with Hook

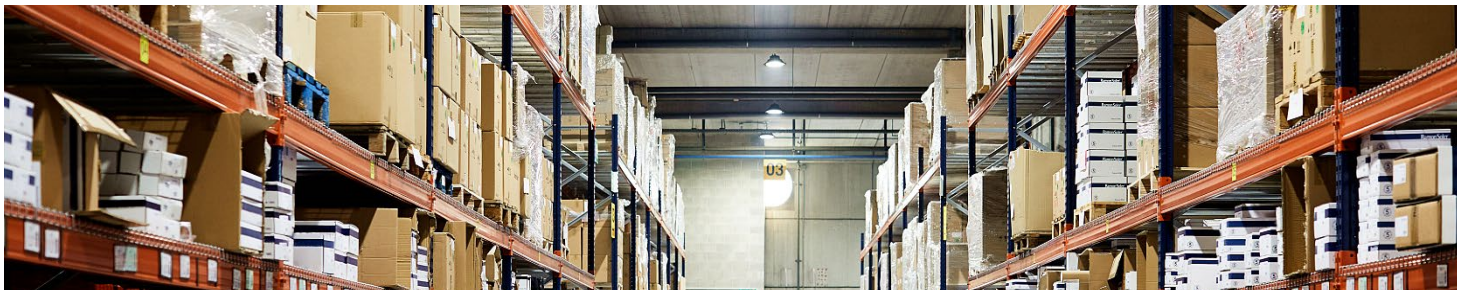
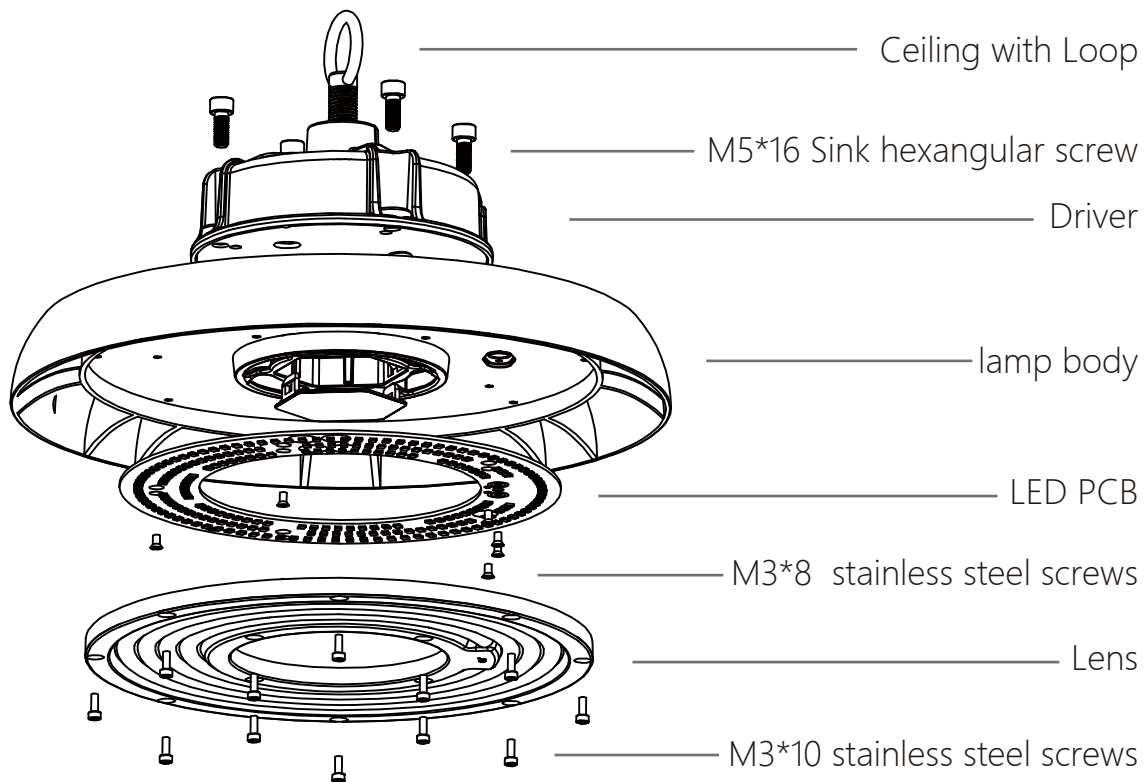


U-Bracket Mounting



Pendant Mounting

Exploded views



Optics

Tech.Support:

Tell us the room L,W and usage,we have an engineer team to respond the DIALUX for lights quantity and effects, IES files are available upon request.

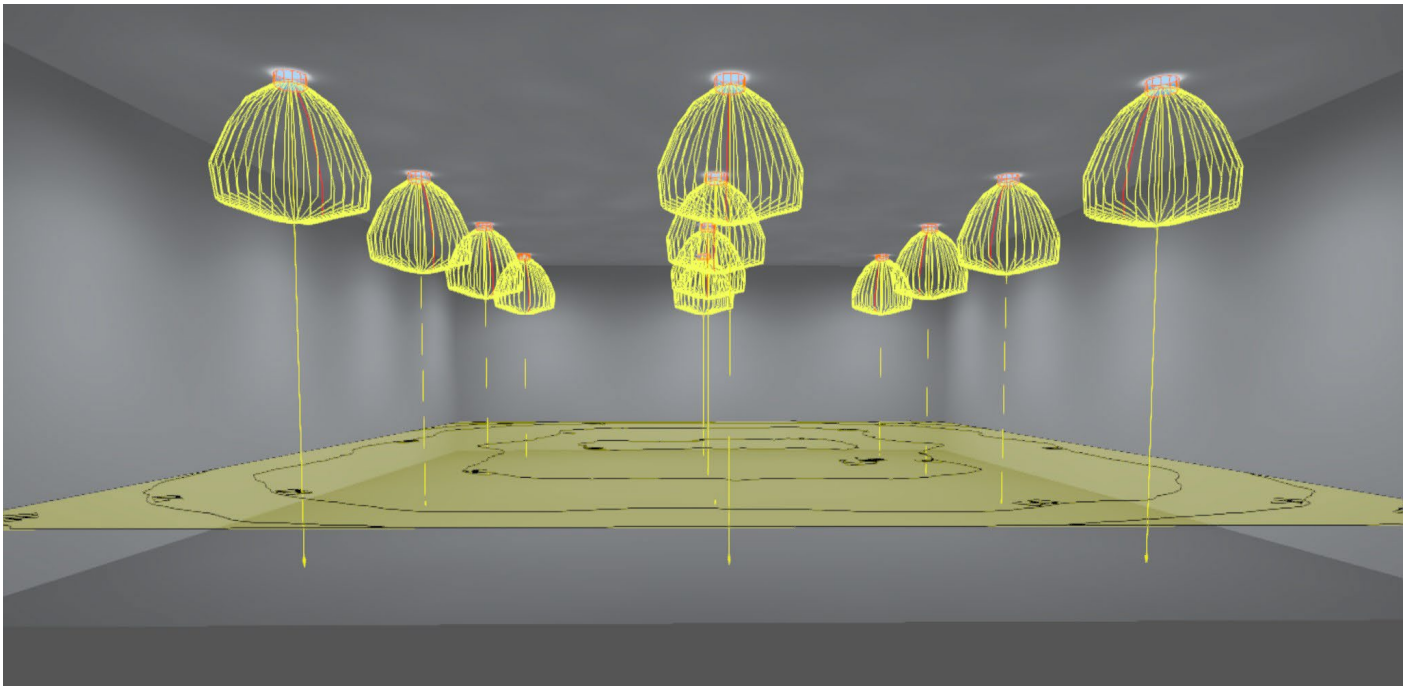
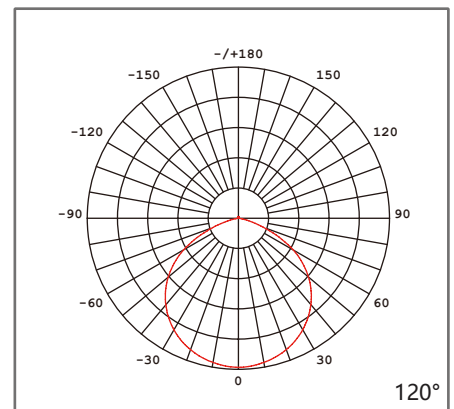
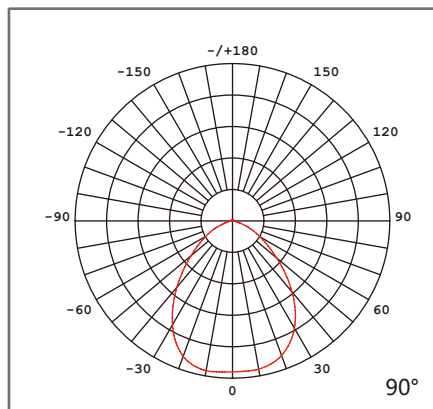
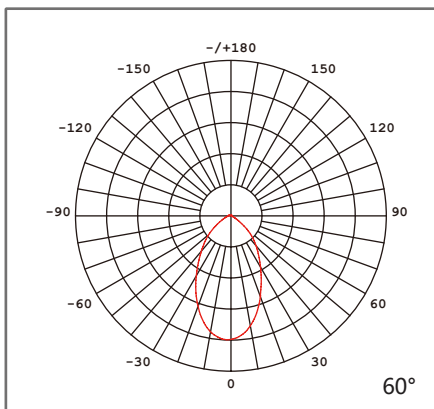


PHOTO METRIC



Wiring diagram

Wiring Connection

Turn off the power, connect AC wire.

Dimmer connection (Figure 1.)

Microwave Sensor connection (Figure 2.)

1.Compatible with 0-10V dimming.

2.Connect wires as below.

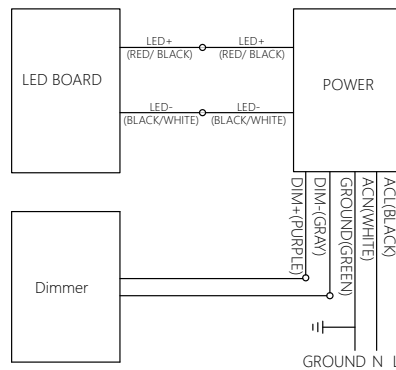


Figure 1.

With dimming microwave motion sensor

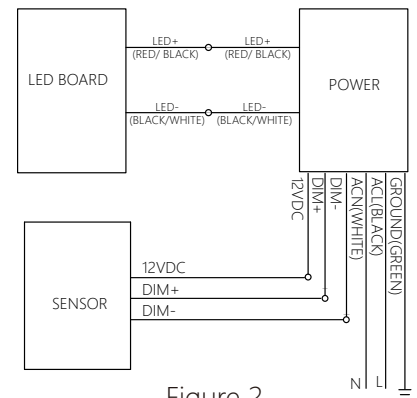


Figure 2.

With microwave motion sensor

Package



Carton

Type	Package			
Model	100W	150W	200W	240W
Packing	Carton	Carton	Carton	Carton
Packing QTY	1pcs/CTN	1pcs/CTN	1pcs/CTN	1pcs/CTN
CTN SIZE	270x270x140 MM 10.6x10.6x5.5 INCH	300x300x145 MM 11.8x11.8x5.7 INCH	350x350x155 MM 13.8x13.8x6.1 INCH	385x385x170 MM 15.2x15.2x6.7 INCH
N.W.	-	-	-	-
G.W.	-	-	-	-
20GP	2331CTN	1792CTN	1314CTN	960CTN
40GP	4801CTN	3822CTN	2700CTN	2030CTN
40HQ	5953CTN	4914CTN	3390CTN	2510CTN

