

HIGH BAY LIGHT FH9

Ultra-high efficiency
up to 150 lm/W



Note: Not all of the products indicated in this specification are DLC premium qualified, please refer to <https://www.designlights.org/searcher> for more details.

HIGH LIGHT · DURABLE · SAVE COST
80W/100W/120W/150W/200W/240W

Suitable for Factory / Warehouse / Indoor Basketball / Court / Gym /
Shopping mall and other Industrial and Commercial venues

Features

UL Listing: Suitable for wet locations

LEDs: Long-life, high-efficiency, surface mount LEDs

Lifespan: 100,000-hour LED lifespan based on IES LM-80 results and TM-21 calculations

Drivers:

80W:

Constant current, 50/60 Hz., 120-277V, 0.67A @ 120V, 0.38A @ 208V, 0.33A @ 240V, 0.29A @ 277V;

100W:

Constant current, 50/60 Hz., 120-277V, 0.83A @ 120V, 0.48A @ 208V, 0.42A @ 240V, 0.36A @ 277V;

120W:

Constant current, 50/60 Hz., 120-277V, 1.00A @ 120V, 0.58A @ 208V, 0.50A @ 240V, 0.43A @ 277V;

150W:

Constant current, 50/60 Hz., 120-277V, 1.25A @ 120V, 0.72A @ 208V, 0.62A @ 240V, 0.54A @ 277V;

200W:

Constant current, 50/60 Hz., 120-277V, 1.67A @ 120V, 0.96A @ 208V, 0.83A @ 240V, 0.72A @ 277V;

240W:

Constant current, 50/60 Hz., 120-277V, 2.30A @ 120V, 1.16A @ 208V, 1.20A @ 240V, 0.88A @ 277V;

CCT: Available in 4000K, 5000K & 6000K color temperature per ANSI C78.377

Dimming: 0-10V dimming, Continuous

Reflector Options: white aluminum reflector available in 7" (180mm)height; PC reflector .

Finish: Black(standard)/Customerization.

Housing: ADC12 die-cast aluminum

Reflectors



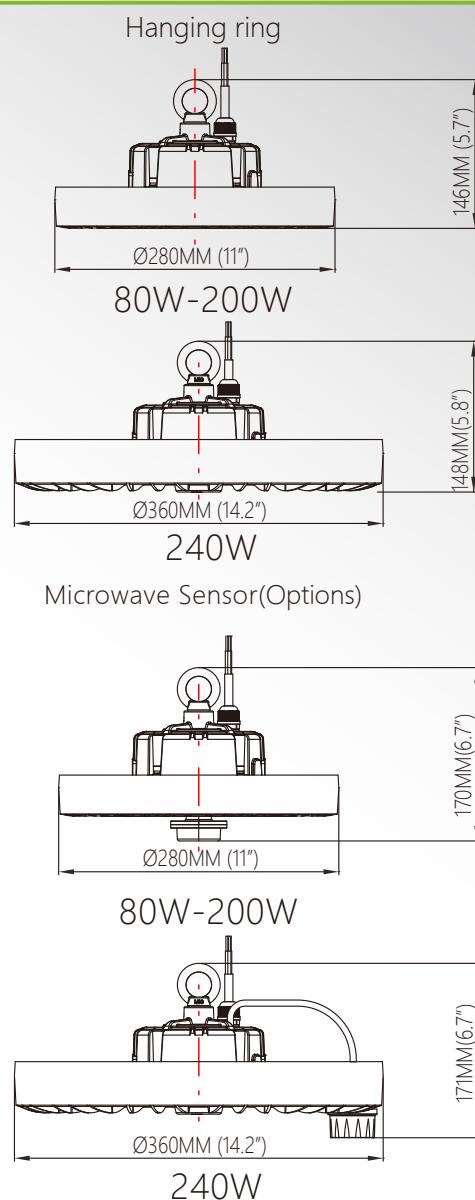
Aluminum Reflector

PC Reflector



Dimension

Unit:MM/INCH



DATA SHEET							
OPTICS	Input Power (W)	80W	100W	120W	150W	200W	240W
	Lumens Delivered @ 5000K	12,000lm	15,000lm	18,000lm	22,500lm	30,000lm	36,000lm
	Efficacy (lm/W)	>150lm/W					
	CRI	>80					
	IES LM-80 results and TM-21 calculations	>100,000 hours					
CCT	Available in 4000K, 5000K & 6000K						
ELECTRICAL	Input Voltage	AC220-240V / AC120-277V ,50/60Hz					
	Max THD %	<10%					
	Power Factor	>95%					
PHYSICAL	Housing	ADC12 die-cast aluminum					
	Lens Type	PC					
	Weight	2.6KG(5.7LB)			2.8KG(6.2LB)		3.2KG(7.1LB)
CERTIFICATION	Certification	UL listed, FCC,CE,RoHS,SAA					
	Environment	Wet location listed, IP65					
THERMAL	Operating Temperature	-40°F - 122°F (-40°C - 50°C)					
	Humidity	10% - 90% RH, non condensing					
QUALIFICATION	DesignLights Consortium	DLC 5.1 Premium					
SMART OPTIONAL	Microwave Sensor / Microwave Sensor+WiFi+Bluetooth / Remote Control						
OTHER	Warranty	5-year standard warranty					

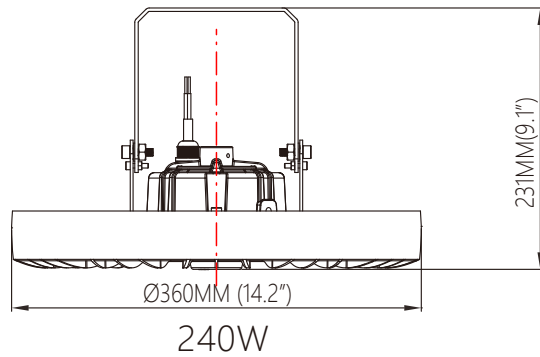
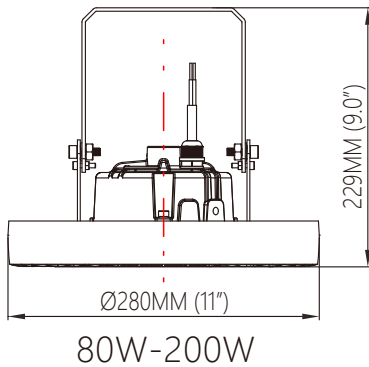
Ordering Guide

Model: FH9-ABCD-EFGH-IHKLM, For example: FH9-150WLD-50K8022-S9BKM

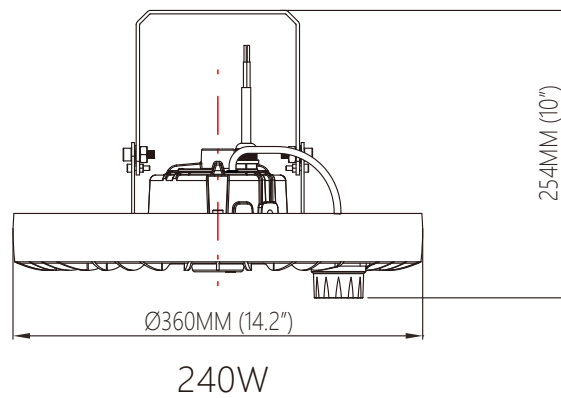
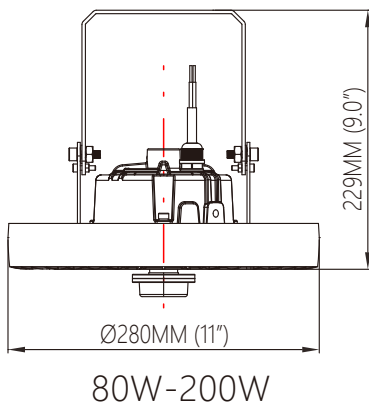
Electric Character				Optics Character				Physical Character				Smart Optional
A	B	C	D	E	F	G	H	I	J	K	L	M
Rated power	Input voltage	Driver brand	Dimming	CCT	CRI	LED CHIP	Beam Angle	Dimension	Color	Installation	Lens	Sensor
80W 100W 120W 150W 200W 240W	L-≤277V H-≥277V	Blank or 1-5	Blank-No dimmable D-Dimmable	40K-4000K 50K-5000K 60K-6000K	80-Ra80	1-10	1-60° 2-90° 3-120°	S9-max150W M9-max200W L9-max240W	BK-Black WH-White	Blank-Ring U-U-bracket	Blank-PC G-Glass	Blank-No sensor M-Microwave Sensor P-PIR Sensor MWB-Microwave Sensor+WiFi+Bluetooth

U-Bracket(Options) (Dimension)

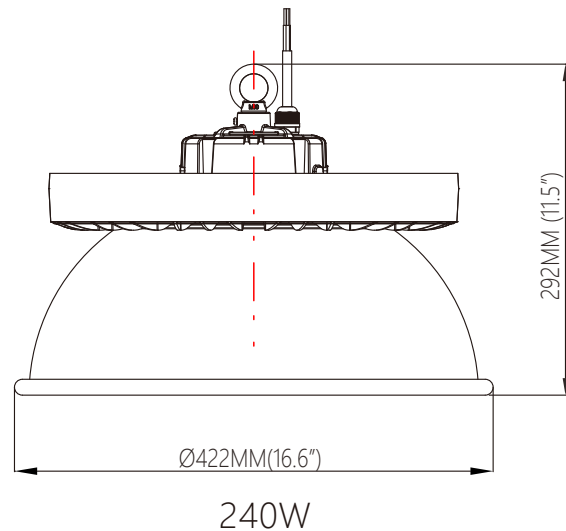
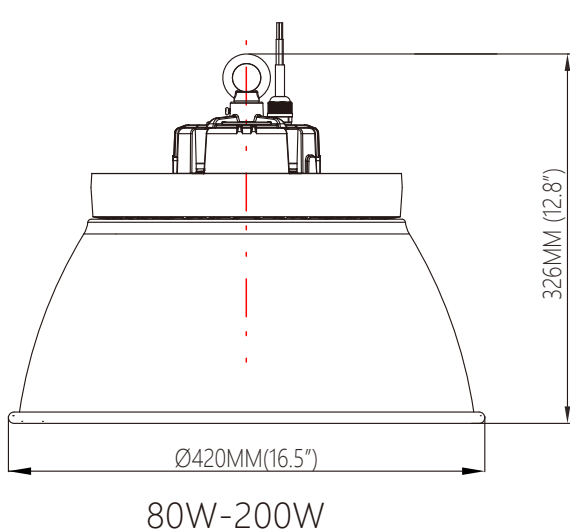
Unit:MM/INCH



U-Bracket & Microwave Sensor(Options)



Reflectors(Options) (Dimension)



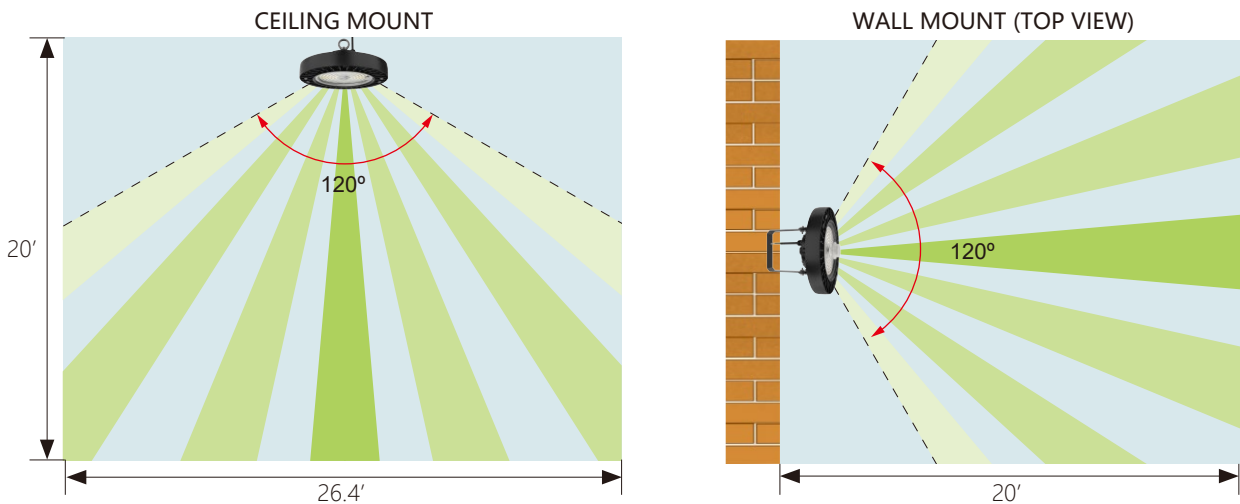
Smart Optional

Microwave Sensor:

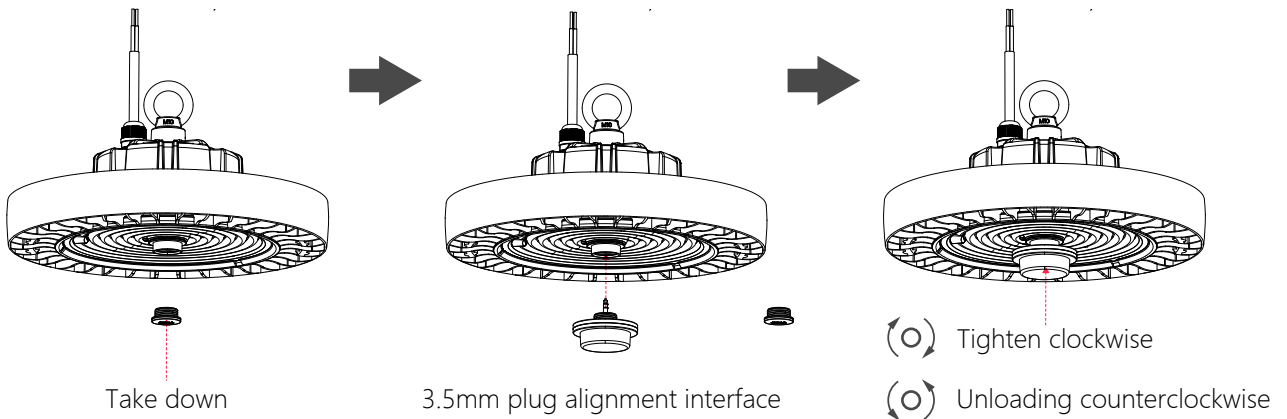
1. If no Microwave Sensor is detected: after 5 seconds, the lamp will switch to off.
2. If any Microwave Sensor is detected: lamp returns to 100% output for your pre-defined hold time.
3. If you need other control modes, you can set them by remote control.

Input Voltage	Output Voltage	Output Current	Detection Angle	Max. Mounting Height	Detection Diameter at Max. Mounting Height
12V	0-10V	20mA	120°	20'	26.4'

Typical Applications: warehouses, gymnasiums, corridors, parking garages



Microwave Sensor (Installation Instruction)



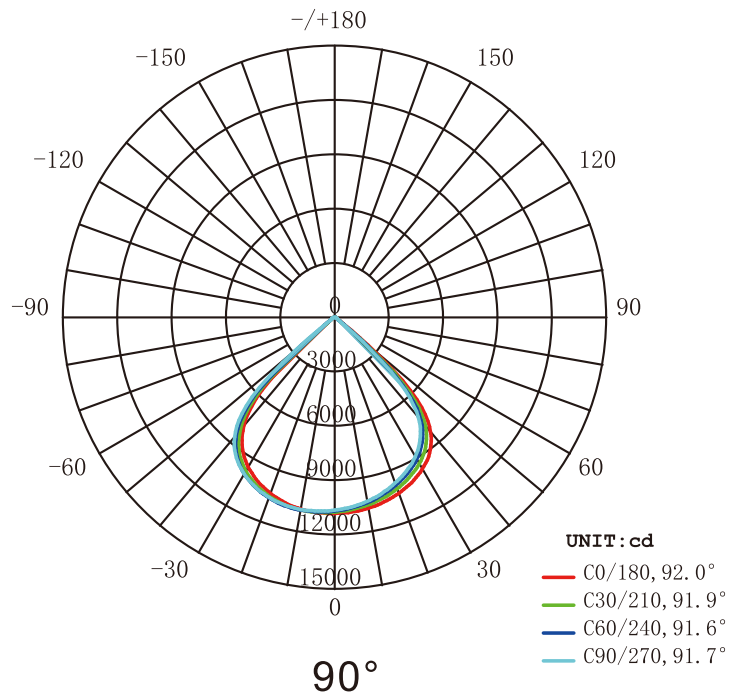
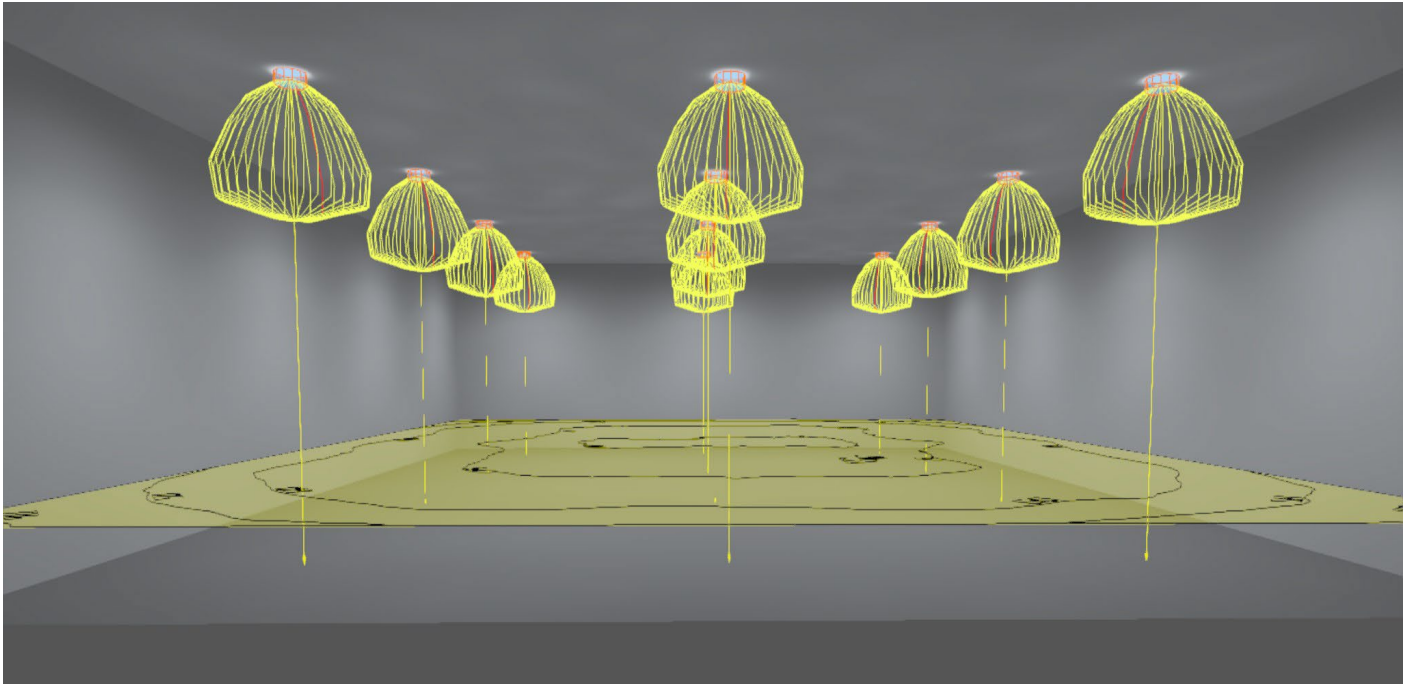
Options

 Microwave Sensor	+ + Microwave Sensor WiFi Bluetooth	 Remote Control
----------------------	--	--------------------

Optics

Tech.Support:

Tell us the room L,W and usage,we have an engineer team to respond the DIALUX for lights quantity and effects, IES files are available upon request.



Wiring diagram

Wiring Connection

Turn off the power, connect AC wire.

Dimmer connection (Figure 1.)

Microwave Sensor connection (Figure 2.)

1.Compatible with 0-10V dimming.

2.Connect wires as below.

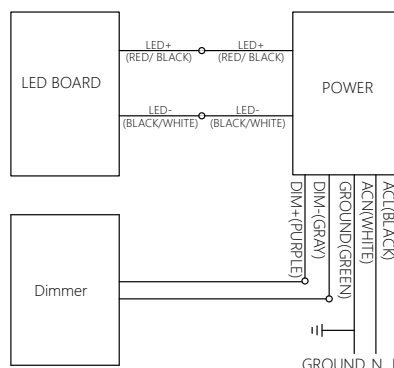


Figure 1.

With dimming microwave motion sensor

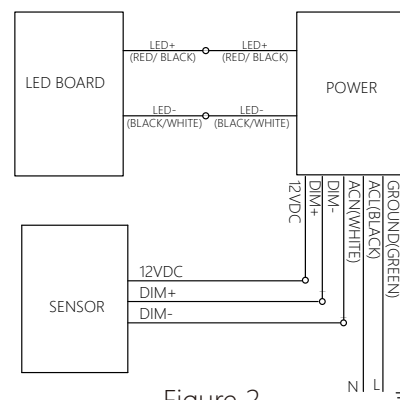
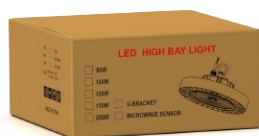


Figure 2.

With microwave motion sensor

Package



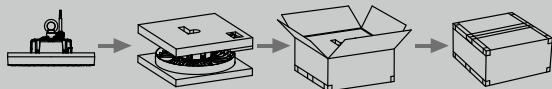
Inner box



Carton

Type	Package			
Model	80W/100W/120W/150W/200W		240W	
Packing	Inner box	Carton	Inner box	Carton
Packing QTY	1pcs/CTN	5pcs/CTN	1pcs/CTN	5pcs/CTN
CTN SIZE	305x305x150 MM	815x320x325 MM	390x390x145 MM	790x405x410 MM
	12x12x5.9 INCH	21.6x12.1x12.6 INCH	15.4x15.4x5.7 INCH	31.1x15.9x16.1 INCH
N.W.	/	/	/	/
G.W.	/	/	/	/
20GP	1390CTN	278CTN	875CTN	175CTN
40GP	2945CTN	589CTN	1810CTN	362CTN
40HQ	3740CTN	748CTN	2175CTN	435CTN

Inner box
H9 1PCS



Carton
H9 5PCS

