

**3 YEAR
WARRANTY**

DAMP



LED GARGE LIGHT

60W/80W

Certification or qualification



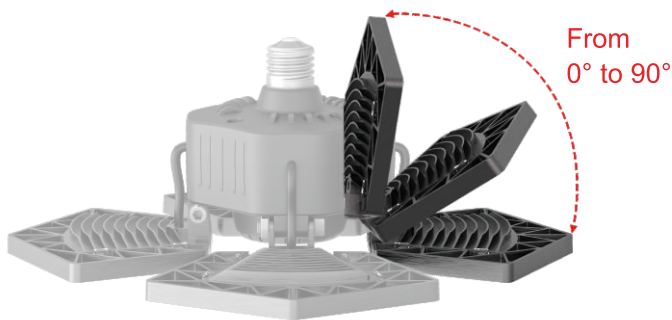
IK10

Note: Not all of the products indicated in this specification are DLC premium qualified, please refer to <https://www.designlights.org/searcher> for more details.

Product Features

- A variety of color temperature, 90 degrees adjustable.
- Uniform light color, no flicker, quick installation.
- Omnidirectional heat dissipation effect.
- High color rendering, close to natural light.
- They glow in a wider and brighter range.

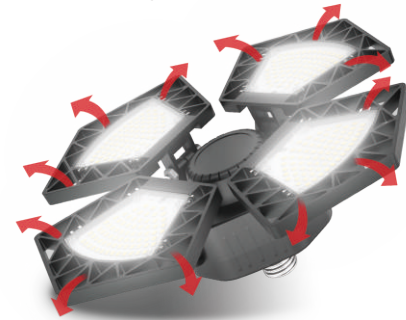
90° omnidirectional illumination



FLEXBLE ADJUSTMENT

Great Heat Dissipation Design 50,000H Long Life Usage

Constructed with premium Aluminum. resistant to crosion and high temperature.



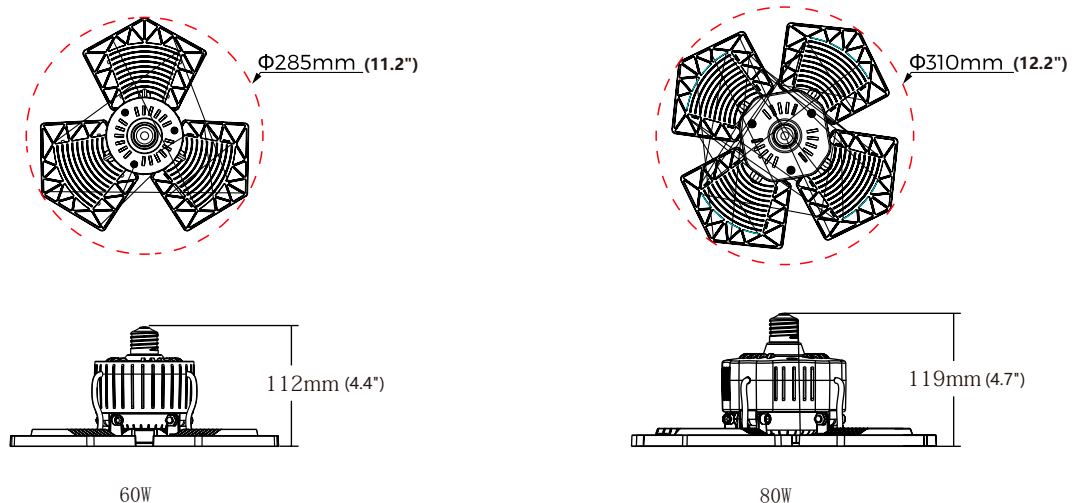
Application scenarios

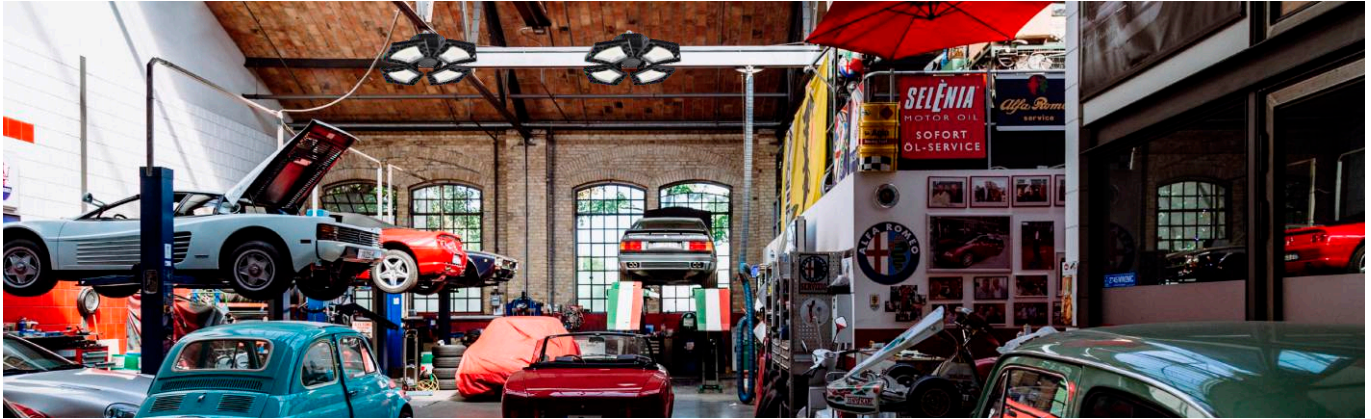
Car park, warehouse, private garage, garage, plant farm, livestock farm, etc.

Technical Parameters

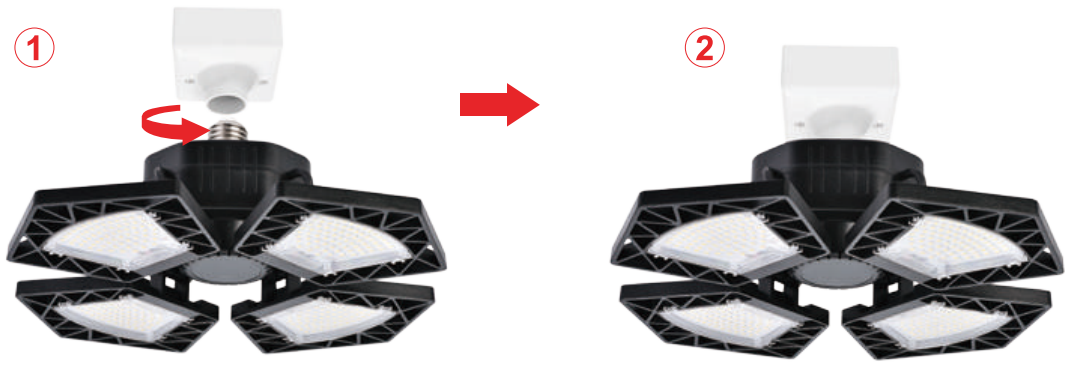
Model	Power	Metal Halide Equivalent Wattage	Material	Input Voltage(V)	Base Type	Lumens	CRI	IP Rating	Efficacy (LM/W)	Meets DLC
FGL-60W	60W	175W	Aluminium alloy+PC	AC100-277V	Medium E26	6000LM	>80	IP54	110Lm/W	N/A
FGL-80W	80W	250W	Aluminium alloy+PC	AC100-277V	Medium E26	8000LM	>80	IP54	110Lm/W	N/A

Dimension



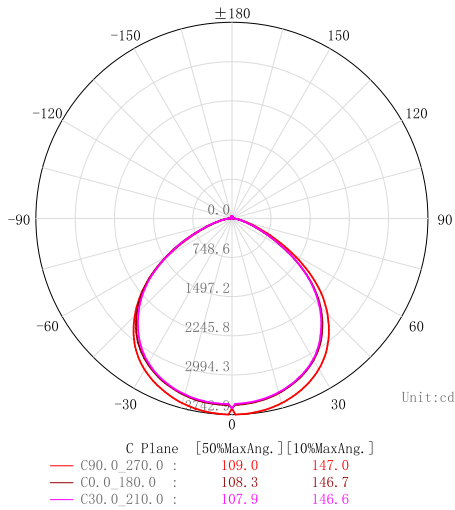


Installation

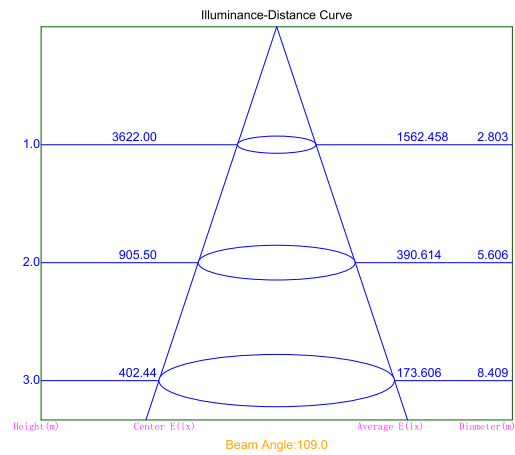


Photometry

Light distribution curve drawing



Illumination Distribution Drawing



Packing parameters

Model	Package size
FGL-60W	20.5x20.5x12 (CM) 8.1x8.1x4.7 (INCH)
FGL-80W	20.5x20.5x12 (CM) 8.1x8.1x4.7 (INCH)

