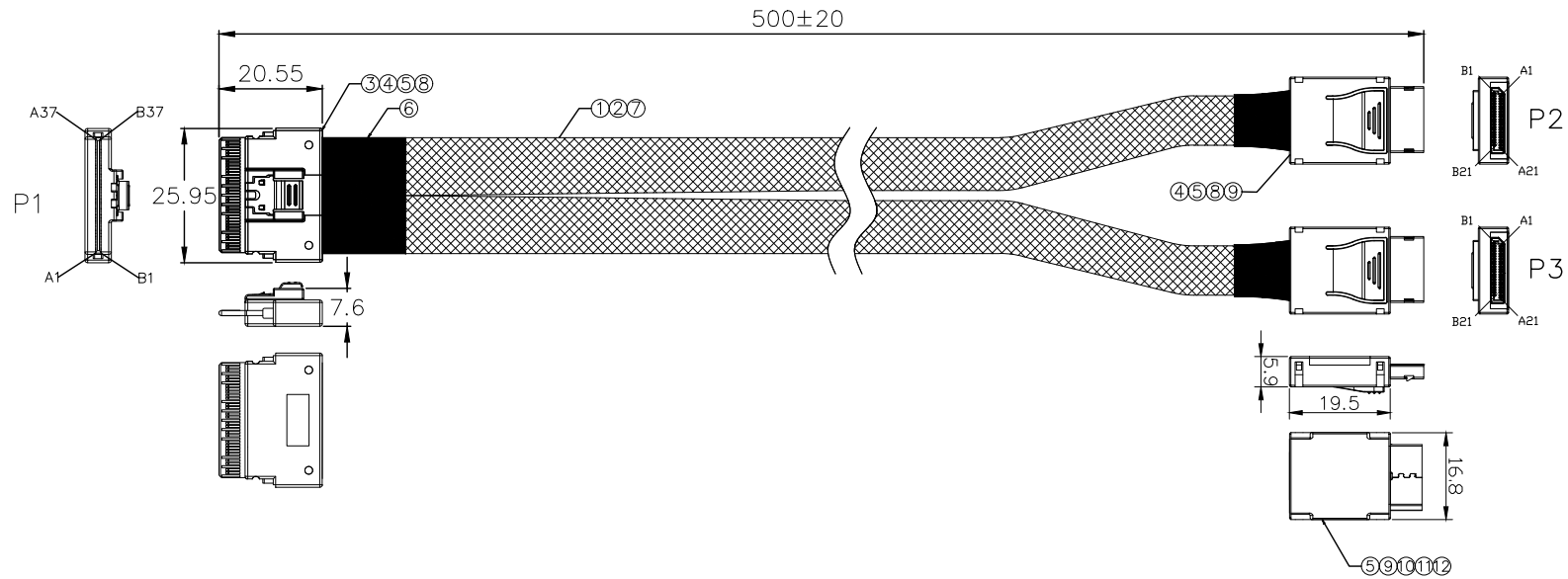


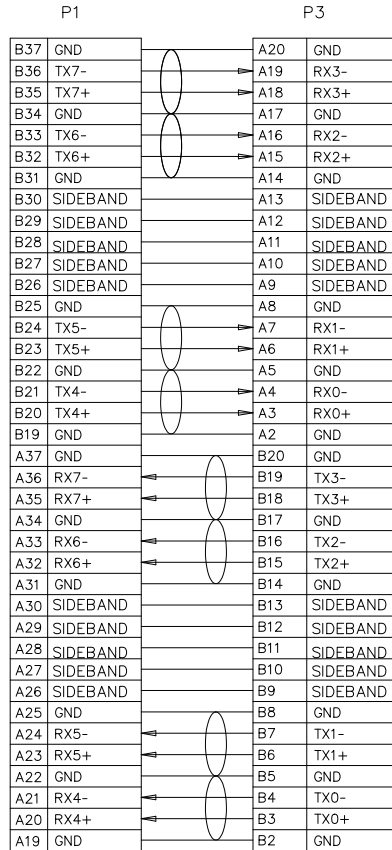
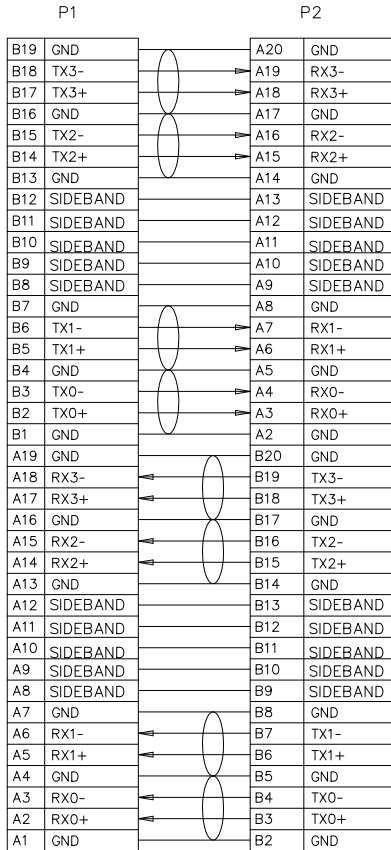
RoHS
compliant



12	CONN	AQ-3-MS51C02	OCULINK 4I CONN PIN:Au 15u	1	PCS
11	PCB	AQ-3-MS31022	OCULINK 4I PCB 88±8 ohm	1	PCS
10	HOOK	AQ-3-MS64002	OCULINK 4I HOOK_UP PC+ABS, BLACK	1	PCS
9	HOOK	AQ-3-MS64001	OCULINK 4I HOOK_DOWN PC+ABS, BLACK	1	PCS
8	LATCH	AQ-3-MS21008	STAINLESS STEEL	1	PCS
7	EXPANDD	AQ-3-MS76001	PET BALCK DD: 10mm	A/R	mm
6	ACETATE TAPE	AQ-3-MS77001	W=25±5mm,BLACK	A/R	mm
5	MDL DING	AQ-3-GL100101	LDPE,NATURAL	A/R	g
4	MDL DING	AQ-3-GL100401	PBT+30GF% BLACK	A/R	g
3	PCBA	AQ-3-MS31027	SLIMSAS 8I PCB, PIN:15u&30u Au, 88±8 ohm	1	PCS
2	CABLE	AQ-3-MS40101	30AWG CABLE,DD:0.65	A/R	mm
1	CABEL	AQ-3-MS40208	<32AWG*2C+2D>AL+MYLAR,DD:0.65*1.54MM,85±5 ohm	A/R	mm
NO.	PART NAME	PART NO.	SPEC DESCRIPTION	QT'Y	UNIT

TOLERANCE			DIKWAN® DONGGUAN AIQUN INDUSTRIAL CO., LTD.		
INCHES		M/M			
.X	.015	.30	SCALE	NONE	REV A0
.XX	.010	.10	UNIT	MM	
.XXX	.005	.05	DRAWN BY TONY CHAN		COSTOMER:
			SHEET	1/2	
CHECK BY LJF			DATE	19/03/06	DWG NO.:AQ03-0219A
APPD BY			TITLE: SLIMSAS 8i TO 2*OCULINK 4I		
CUSIOMER. P/N:			P/N: AQ-1-MSA81010500		

RoHS
compliant



ELECTRICAL CHARACTER:

- a. 100% OPEN&SHORT TESTING;
- b. WITHSTANDING VOLTAGE:DC 300V 0.01Sec;
- c. INSULATION RESISTANCE:10M Ohm(Min);
- d. CONDUCTIVE RESISTANCE:2 Ohm(Max).

TOLERANCE			INCHES		M/M		DIKWAN® DONGGUAN AIQUN INDUSTRIAL CO., LTD.			
.X	.015	.30					SCALE	NONE	REV	A0
.XX	.010	.10					UNIT	MM		
.XXX	.005	.05								
DRAWN BY TONY CHAN			SHEET 2/2		COSTOMER:					
CHECK BY LJF			DATE 19/03/06		DWG NO.:AQ03-0219A					
APPD BY			TITLE: SLIMSAS 8i TO 2*OCULINK 4I							
CUSIOMER. P/N:			P/N: AQ-1-MSA81010500							