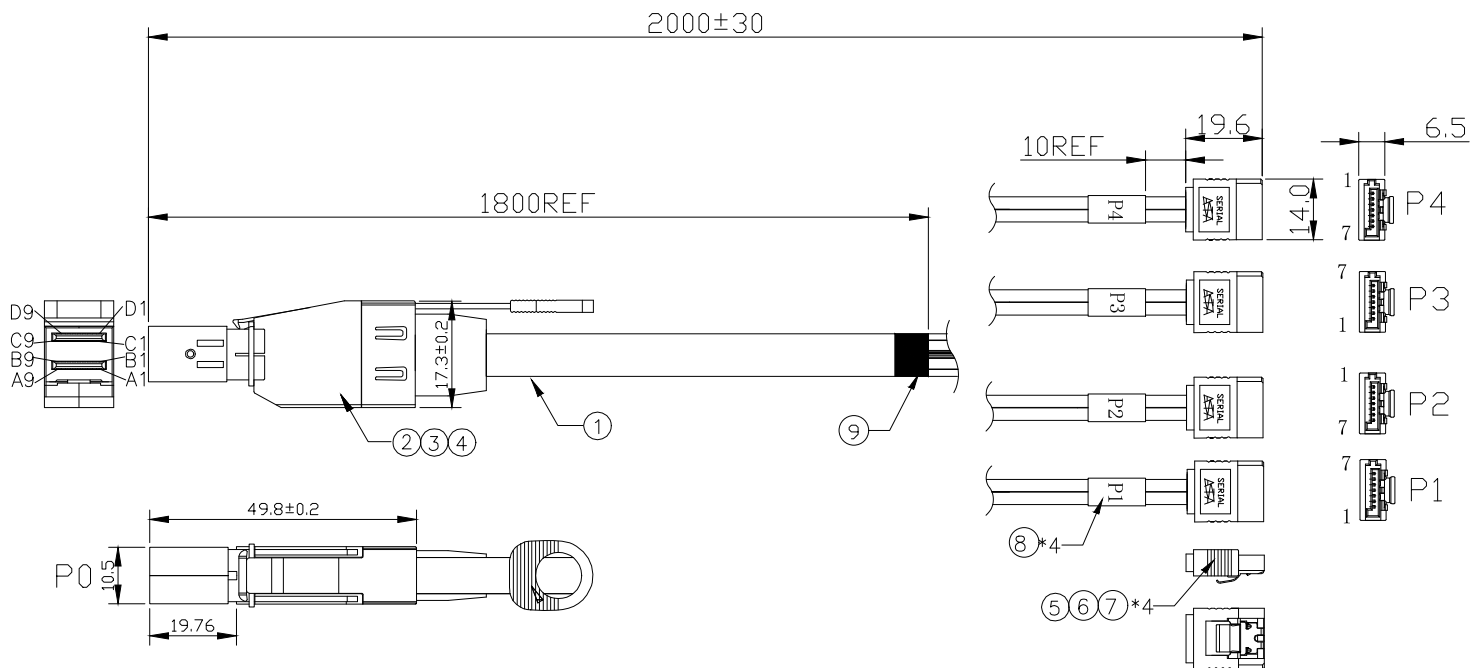
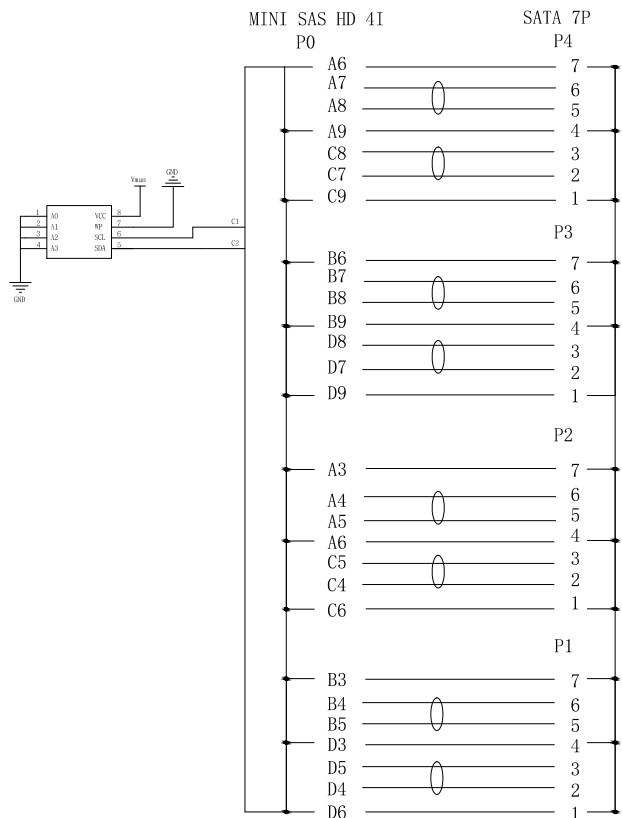


PIN ASSIGNMENT:



| | | | | | |
|---|----------------|---------------|---|------|------|
| 9 | ACETATE TAPE | AQ-3-MS77001 | W=25±5mm, BLACK | A/R | mm |
| 8 | LABLE | AQ-5-MS5039 | W6*L24, PRINT *P1&P2&P3&P4* | 4 | PCS |
| 7 | CONN. | AQ-3-GL51S01 | SATA 7P/F, PIN-G/F | 4 | PCS |
| 6 | MOLDING | AQ-3-GL145201 | 45P PVC BLACK | A/R | KG |
| 5 | MOLDING | AQ-3-GL100101 | LDPE RDHS | A/R | KG |
| 4 | MOLDING | AQ-3-GL100501 | PA, BALCK | A/R | KG |
| 3 | ASSEMBLY PARTS | AQ-3-MS62001 | MINISAS HD ASSEMBLY <Zinc ALLOY HOODS, HOOK, PULL-TAB, RUBBER RING> | 2 | set |
| 2 | PCBA | AQ-3-MS31021 | MINISAS HD 4X PCBA, PIN, 30u Au, 100±10 Ohm | 4 | PCS |
| 1 | CABLE | AQ-3-MS41602 | <30AWG*2C+D+HMAM+HM>*8C+M+AM+B, DD:6.8 MM, BLACK PVC JACKET 100±5 Ohm | A/R | mm |
| | PART NAME | PART NO | SPEC DESCRIPTION | QT'Y | UNIT |

| | | | |
|------------------|-----------------------|-----|---|
| A | INITIAL RELEASE | | 13/03/02 |
| REV | DESCRIPTION OF CHANGE | | DATE |
| TOLERANCE INCHES | | M/M | DIKWAN ® DONGGGUAN AIQUN INDUSTRIAL CO., LTD. SCALE NONE UNIT MM SHEET 1/3 DATE 2020/3/10 CUSTOMER: |
| .X | .015 | .30 | |
| .XX | .010 | .10 | |
| .XXX | .005 | .05 | REV A DWG NO.: TITLE: MINI SAS HD 4X TO SATA7P*4 |
| DRAWN BY | TONY CHAN | | CUSTOMER. P/N: |
| CHECK BY | | | P/N: AQ-1-MS4S4012000 |