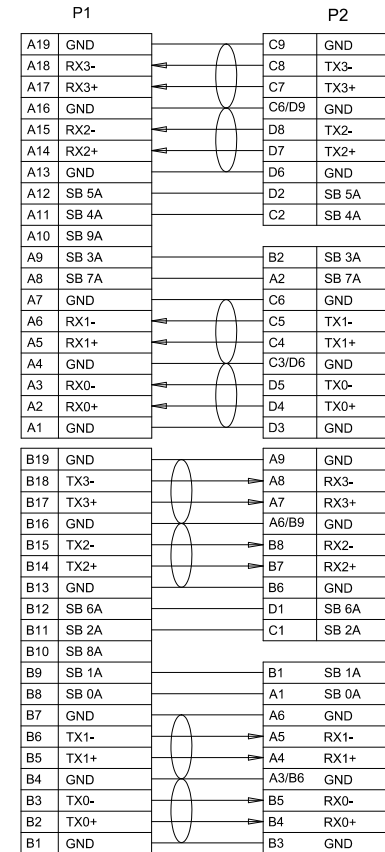


- ELECTRICAL CHARACTER:
- a. 100% OPEN&SHORT TESTING;
  - b. WITHSTANDING VOLTAGE:DC 300V 0.01Sec;
  - c. INSULATION RESISTANCE:10M Ohm(Min);
  - d. CONDUCTIVE RESISTANCE:2 Ohm(Max).



NO	PART NAME	PART NO.	SPEC DESCRIPTION	QT'Y	UNIT
13	MOLDING	AQ-3-GL10501	PA BLACK	A/R	9
12	PCB	AQ-3-MS31023	MINISAS HD 4I PCB<A/B>,PIN: AU 15u&30u,100±10 ohm	1	PCS
11	PCB	AQ-3-MS31022	MINISAS HD 4I PCB<C/D>,PIN: AU 15u&30u,100±10 ohm	1	PCS
10	COVER	AQ-3-MS64002	MINISAS HD 4I COVER PC BLACK	1	PCS
9	HOUSING	AQ-3-MS64001	MINISAS HD 4I HOUSING PC BLACK	1	PCS
8	LATCH	AQ-3-MS21008	STAINLESS STEEL	1	PCS
7	EXPANDO	AQ-3-MS76001	PET BALCK DD: 10mm	A/R	mm
6	ACETATE TAPE	AQ-3-MS77001	w=25±5mm,BLACK	25	mm
5	MOLDING	AQ-3-GL100101	LDPE,NATURAL	A/R	9
4	MOLDING	AQ-3-GL100401	PBT+30GF% BLACK	A/R	9
3	PCBA	AQ-3-MS31019	SLIMSAS 38PIN PCB, PIN:15u&30u Au, 88±8 ohm	1	PCS
2	CABLE	AQ-3-MS40101	30AWG CABLE,DD:0.65	A/R	mm
1	CABEL	AQ-3-MS40208	(32AWG*2C+2D)AL+MYLAR,DD:0.65*1.54MM,85±5 ohm.	A/R	mm

TOLERANCE							
INCHES			M/M				
.X	.015	.30	DIKWAN® DONGGUAN AIQUN INDUSTRIAL CO., LTD.				
.XX	.010	.10					
.XXX	.005	.05	SCALE	NONE		REV	A0
DRAWN BY TONY CHAN			UNIT	MM		CUSTOMER:	
CHECK BY			SHEET	1/1	DATE 16/07/02 DWG NO.:AQ1607-0214A		
APPD BY			TITLE: SLIMSAS 4I TO MINISAS HD 4I				
			P/N: AQ-1-MS931010500				