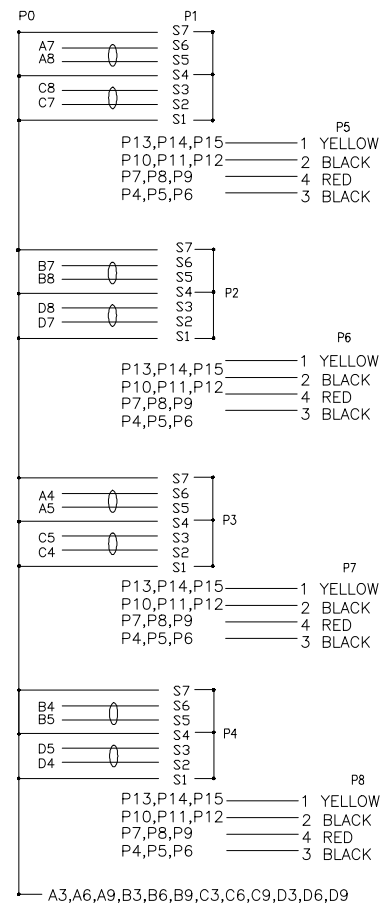


PIN ASSIGNMENT:



NOTE:  
 1.100%OPEN&SHORT TESTIGN,  
 2.INSULATION RESISTANCE: 10M Ohm MIN DC300V  
 3.CONDUCTIVE RESISTANCE: 2 Ohm MAX

NO.	PART NAME	PART NO.	SPEC DESCRIPTION	QTY	UNIT
14	CONN.	AQ-3-GL51S03	4P,NATURAL,PH5.08,PIN:G/F	4	pcs
13	CABLE	AQ-3-MS40108	20AWG (RED/BLACK/YELLOW)	A/R	mm
12	LABLE	AQ-5-MS5039	W6*L24. PRINT *P1&P2&P3&P4*	4	pcs
11	MOLDING	AQ-3-GL10501	PA BLACK	A/R	g
10	CONN.	AQ-3-GL51S01	SAS 29P/F,PIN:G/F	4	pcs
9	EXPANDO	AQ-3-MS76001	PET BALCK DD: 10mm	A/R	mm
8	ACETATE TAPE	AQ-3-MS77001	W=25±5mm,BLACK	A/R	mm
7	MOLDING	AQ-3-GL145201	45P PVC BLACK	A/R	g
6	MOLDING	AQ-3-GL100101	LDPE,NATURAL	A/R	g
5	COVER	AQ-3-MS64002	MINI SAS HD 4I PC BLACK	1	PCS
4	HOUSING	AQ-3-MS64001	MINI SAS HD 4I PC BLACK	1	PCS
3	PCB	AQ-3-MS31023	MINI SAS HD 4I PCB(C/D),PIN: AU 15u&30u,100±10 ohm	1	PCS
2	PCB	AQ-3-MS31022	MINI SAS HD 4I PCB(C/D),PIN: AU 15u&30u,100±10 ohm	1	PCS
1	CABLE	AQ-3-MS40208	<30AWG*2C+2d>*AL+MYLAR,DD:0.97*2.17MM,100±5 ohm.	A/R	mm

A	INITIAL RELEASE		12/10/12		
REV	DESCRIPTION OF CHANGE			DATE	
TOLERANCE					
INCHES		MM			
.X	.015	.30			
.XX	.010	.10			
.XXX	.005	.05			
DRAWN BY	TONY CHAN	SCALE	NONE	REV	A
		UNIT	MM		
CHECK BY		SHEET	1/1	CUSTOMER:	
		DATE	16/04/10	DWG NO:	
CUSTOMER P/N:		P/N: AQ-1-MS354P10500			

DIKWAN® DONGGGUAN AIQUN INDUSTRIAL CO., LTD.