

# HP-DTVC Series

## Dome Shape Thermal Security Camera



\*The picture is for reference only, the appearance of the product is subject to the actual production

### System Overview

This series Long Range Thermal Imaging Camera products are based on the latest 7th generation uncooled infrared technology and with continuous zoom infrared optical technology. It also equipped with high resolution daylight camera with defog function for long distance daytime details observation. Dome shape for wind proof with fast rotation speed to track targets.

### Technical Specification

#### Thermal Camera

Image Sensor	Vox Detector
Effective Pixels	640(H)x512(V)/ 384(H)x288(V)
Pixel Size	12/17μm
Thermal Sensitivity (NETD)	≤40mK@f/4.0
Spectral Range	7 ~ 14μm
SDE	Support SDE digital image processing
Pseudo Color	16 pseudo color and B/W, B/W inverse
AGC	Support
Digital Zoom	8X
Strong Light Protect	Support
Temp Correction	Thermal imaging clarity is not affected by temperature
Scene mode	Support multi-configuration scenarios
Lens Servo	Support lens preset, focal length return and location
Azimuth Information	Support angle real-time return and positioning
Parameter Setting	OSD Menu Remote Call Operations.
Life Index Recording	Working/shutter times, ambient/sensor temperature

- 384x288, 640x512, thermal sensor
- 20/30/50mm thermal lens with 8X digital zoom
- 30x/36X/40X CCTV lens with 16X digital zoom
- NETD 40mk enhance the imaging details
- IP66 and - 40 °C low temperature resistance

### Thermal Lens

Focal Lens	20mm;30mm; 50mm
FOV (384x288, 17μm)	20mm: 18.5°×13.9° 30mm: 8.8°×6.6° 50mm: 5.3°× 4.0°
FOV (640x512, 17μm)	20mm: 30.4°×23° 30mm: 20.6°×16.5° 50mm: 12°×9°
Effective Distance (Vehicle: 2.3x2.3m)	20mm: 1.7km (D); 0.5km (R); 0.2km (I) 30mm: 2.8km (D); 0.8km (R); 0.4km (I) 50mm: 4.2km (D); 1.2km (R); 0.6km (I)
D: Detection R: Recognition I: Identification	
Effective Distance (Human: 1.8x0.5m)	20mm: 0.7km (D); 0.3km (R); 0.15km (I) 30mm: 1.2km (D); 0.4km (R); 0.2km (I) 50mm: 1.6km (D); 0.5km (R); 0.25km (I)
D: Detection R: Recognition I: Identification	
Fire Detection	20mm: 1km 30mm: 1.5km 50mm: 3km

### PTZ

Patrol	6*patrol route, 1* patrol line
Rotation	Pan: 0~360°, tilt: -90~+90°
Speed	Pan: 0.01~100°/S, Tilt: 0.01~60°/S
Preset	255
Enhance	Fan/Wiper/Heater attached

## Visible Camera

Sensor	1/2.8" Star Level CMOS, Integrated ICR Dual Filter D/N Switch
Resolution	1920(H)x1080(V)
Frame Rate	32Kbps~16Mbps, 60Hz
Min. Illumination	0.0005Lux (Color), 0.0001Lux (B/W)
SD Card	Support
Defog	Support SDE digital image processing
BLC/WDR/HLC	Yes
AGC	Support
Digital Zoom	8X

## Visible Lens

Focal Lens	4.7~141mm 30X
Image Stabilization	Support
Focus Control	Manual/Auto

## Interface

Ethernet	RS-485, RS-232, RJ45
Protocol	IPv4/IPv6, HTTP, HTTPS, 802.1x, Qos, FTP, SMTP, UPnP, SNMP, DNS, DDNS, NTP, RTSP, RTP, TCP, UDP, IGMP, ICMP, DHCP, PPPoE, ONVIF
Video Output	PAL/NTSC
Power	AC12V /DC24V
Compression	H.265 / H.264 / MJPEG

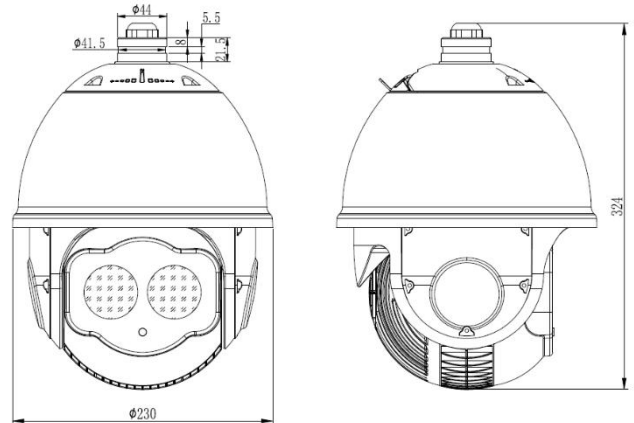
## Environmental

Operate Temp	-25℃~+55℃ (-40℃ optional)
Storage Temp	-35℃~+75℃
Humidity	<90%
Ingress Protect	IP66
Housing	PTA t coating, Seawater corrosion resistance
Anti-shake	0.2g (GB/T15211—2013)
Anti-strike	15g (GB/T15211—2013)
Anti-fog/salty	PH 6.5~7.2
Power	50W (Peak)
Weight	8.5kg

## Order Information

DTVC4102-1930WZ	Thermal: 20mm, 384x288 Visible: 2mp, 4.7~141mm
DTVC6102-1930WZ	Thermal: 20mm, 640x512 Visible: 2mp, 4.7~141mm
DTVC4103-1930WZ	Thermal: 30mm, 384x288 Visible: 2mp, 4.7~141mm
DTVC6103-1930WZ	Thermal: 30mm, 640x512 Visible: 2mp, 4.7~141mm
DTVC4105-1930WZ	Thermal: 50mm, 384x288 Visible: 2mp, 4.7~141mm
DTVC6105-1930WZ	Thermal: 50mm, 640x512 Visible: 2mp, 4.7~141mm

## Dimension (mm)



Unit: mm