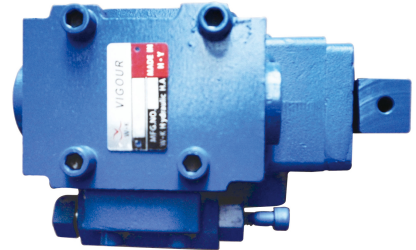


# PCMRV 手动转阀

## • 用途与特征 APPLICATION AND FEATURES

手动转阀是手动复合比例阀，手动杠杆操纵控制油流的方向、流量等动作。该阀是钢珠定位，手柄可以随意定在某个位置。滑阀机能M型。压力31.5 MPa。管式安装。广泛用于渔网机械。

Manual rotary valve is a manual composite proportional valve, manual lever manipulation to control the direction of oil flow, flow and other actions. The valve is a steel ball positioning, the handle can be set at random in a certain position. Spool function M. Pressure (MPa) : 31.5. Pipe install. Widely used in fishing net machinery.

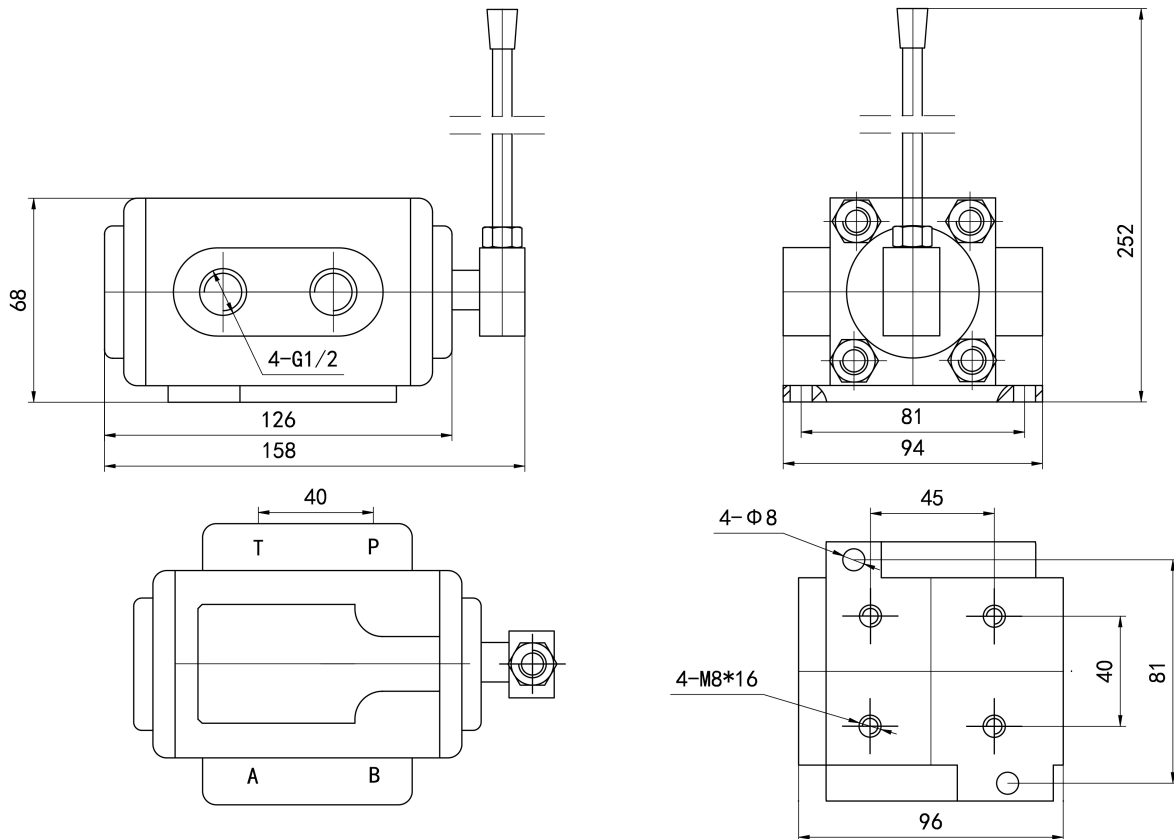


## • 型号说明 MODEL CODING

PC	MRV	-	03	A
①	②		③	④

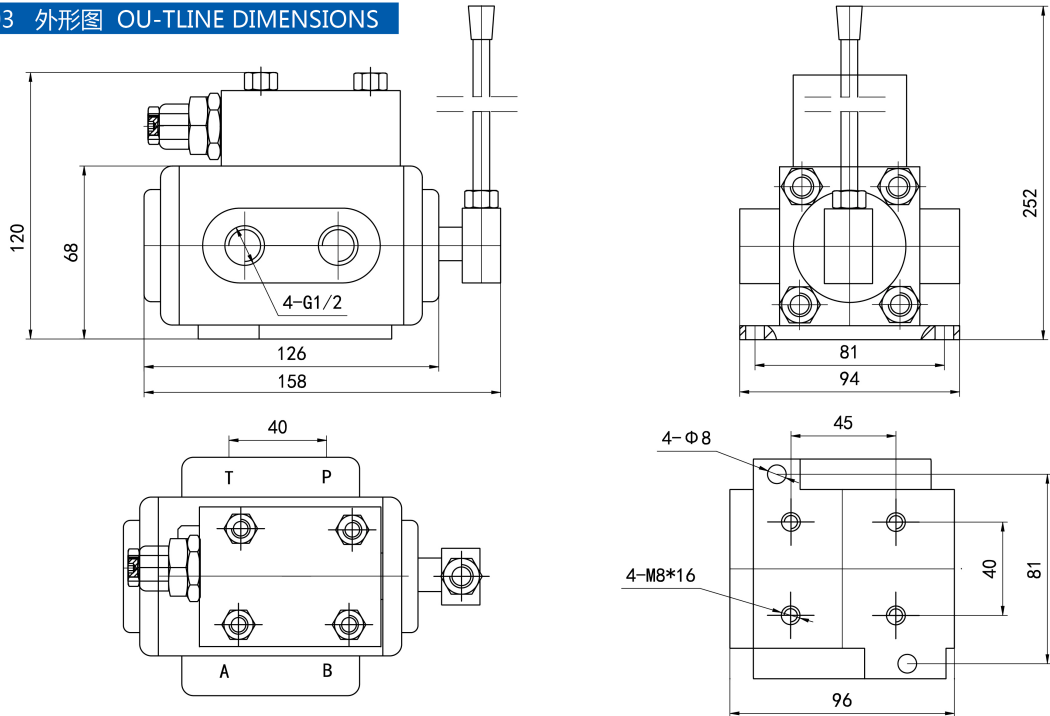
- ① PC带溢流阀 省略不带溢流阀。With overflow valve omitted without overflow valve.
- ② 产品代号 Unit code
- ③ 公称通径 Nominal size 03 mm 流量 Nominal flow rate 60 L/min  
Nominal size 06 mm 流量 Nominal flow rate 120 L/min
- ④ 手柄方向 A端 B端 Hand shank direction A or B

## • MRV-03 外形图 OUTLINE DIMENSIONS

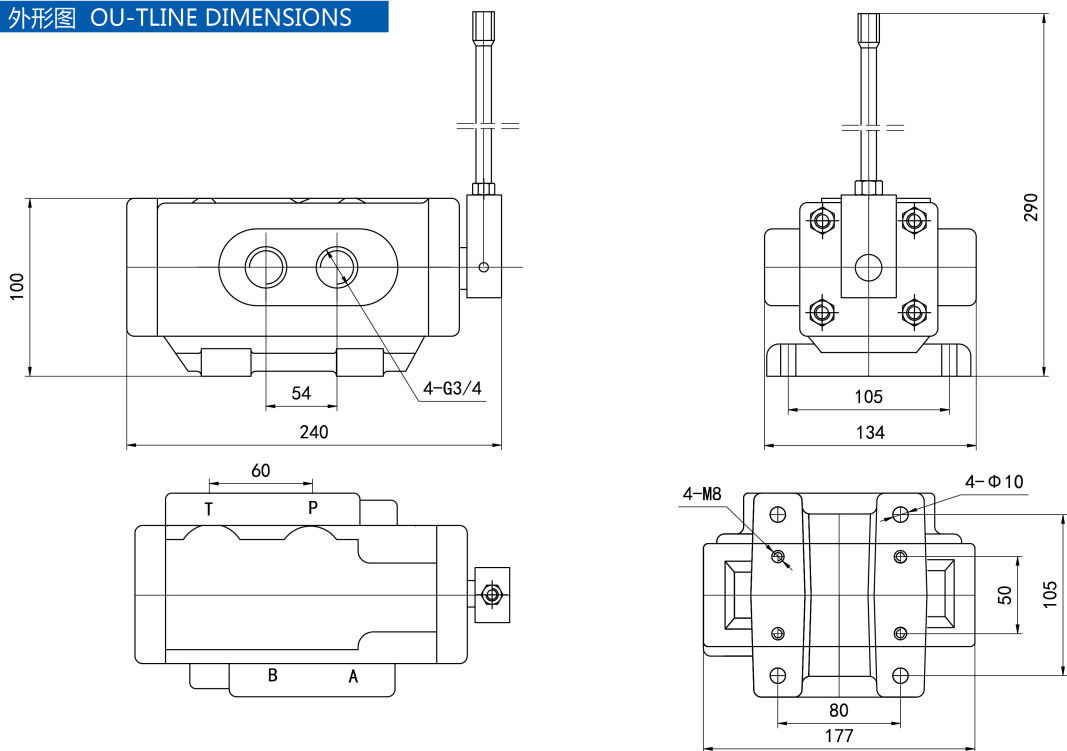


# PCMRV 手动转阀

• PCMRV-03 外形图 OU-TLINE DIMENSIONS



• MRV-06 外形图 OU-TLINE DIMENSIONS



# PCMRV 手动转阀

• PC-MRV-06 外形图 OU-TLINE DIMENSIONS

