

DCV系列 多路阀

• 用途与特征 APPLICATION AND FEATURES

DCV系列整体式多路阀具有工作压力高，结构紧凑，安全阀、过载阀动静态特性好、通用性好等特点。广泛用于工程机械、起重运输机械、环卫机械和其它机械的液压系统中。可按用户要求在阀上设溢流阀、过载阀、单向阀、补油阀等。

DCV多路阀换向阀滑阀机能可有A、O、Y、型等，可任意组合。控制形式有手动控制、气动—手动复合控制等控制方式。手动端手柄可正反安装，便于不同方向操作。

DCV多路阀采用并联油路，设计有压力输出口为其他液压元件提供动力源。

The DCV series integral multi-way valve has the characteristics of high working pressure, compact structure, good dynamic and static characteristics of safety valve and overload valve, and good versatility. Widely used in hydraulic systems of construction machinery, lifting and transportation machinery, sanitation machinery and other machinery. The valve can be equipped with an overflow valve, an overload valve, a check valve, a charge valve, etc. according to the requirements of the user.

DCV multi-way valve reversing valve slide valve function can have A, O, Y, type, etc., can be arbitrarily combined. The control forms include manual control, pneumatic-manual composite control and other control methods. The manual end handles can be installed in both front and back for easy operation in different directions.

The DCV multi-way valve uses a parallel oil circuit and is designed with a pressure output port to provide power for other hydraulic components.

• 型号说明 MODEL CODING

DCV	*	F	-	×	T	-	×	-	J
①	②	③		④	⑤		⑥		⑦

①产品代号Unit code

②公称流量Nominal flow rate 40 60 100 140 (L/min)

③压力等级Pressure grade F: 20 MPa 最大压力 (MPa) Max. Pressure 31.5

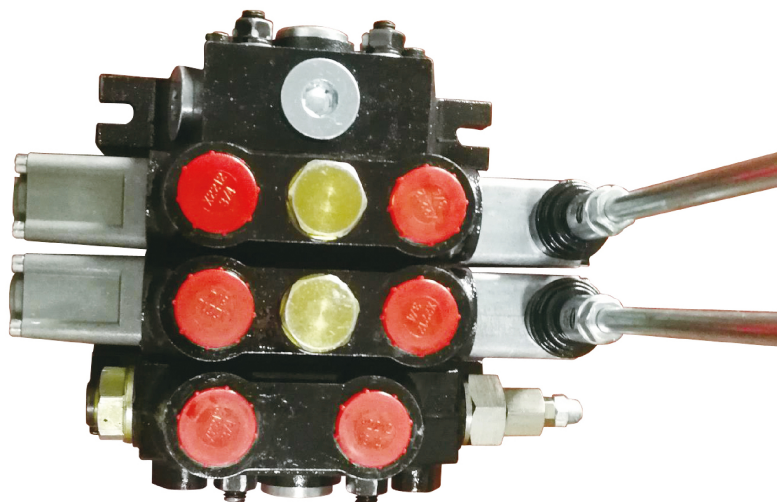
④工作联数 job number

⑤复位方式Spool returning T: 弹簧复位Spring W钢球定位 (Steel ball positioning)

Q: 气动复位Pneumatic

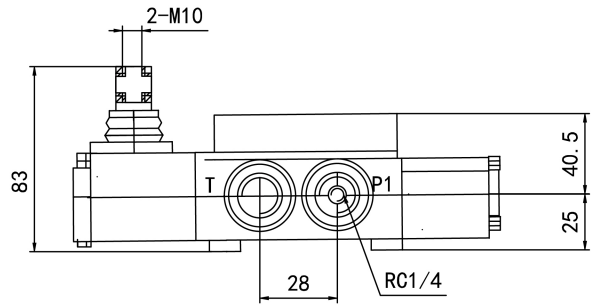
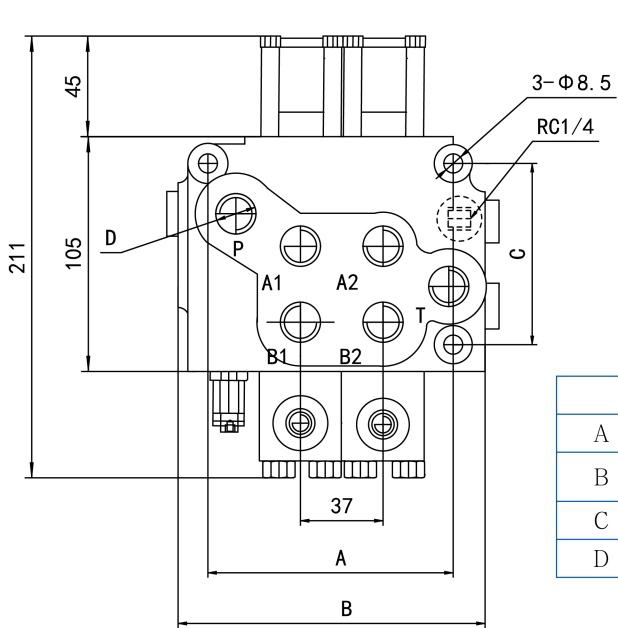
⑥换向体中位机能Spool Function A O Y

⑦省略为正常型号 Normal type带“J”为带压力输出 Output with pressure



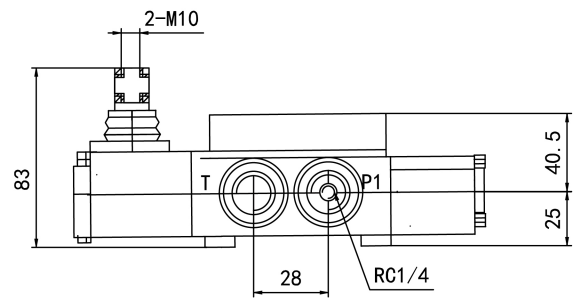
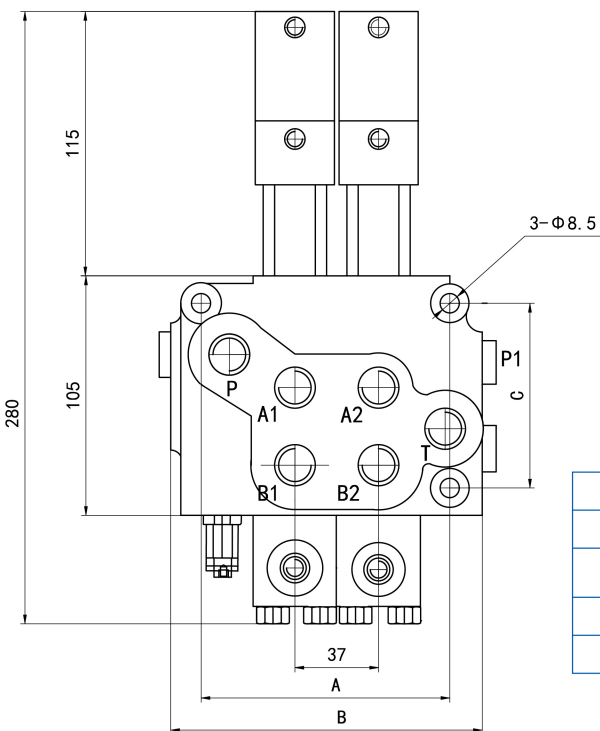
DCV系列 多路换向阀

•DCV40 手动控制 外形图 OU-TLINE DIMENSIONS



	1联	2联	3联	4联	N联
A	73	110	147	184	$73 + (N-1) \times 37$
B	103	140	177	214	$103 + (N-1) \times 37$
C	81	81	81	81	81
D	M18 × 1.5 OR G3/8				

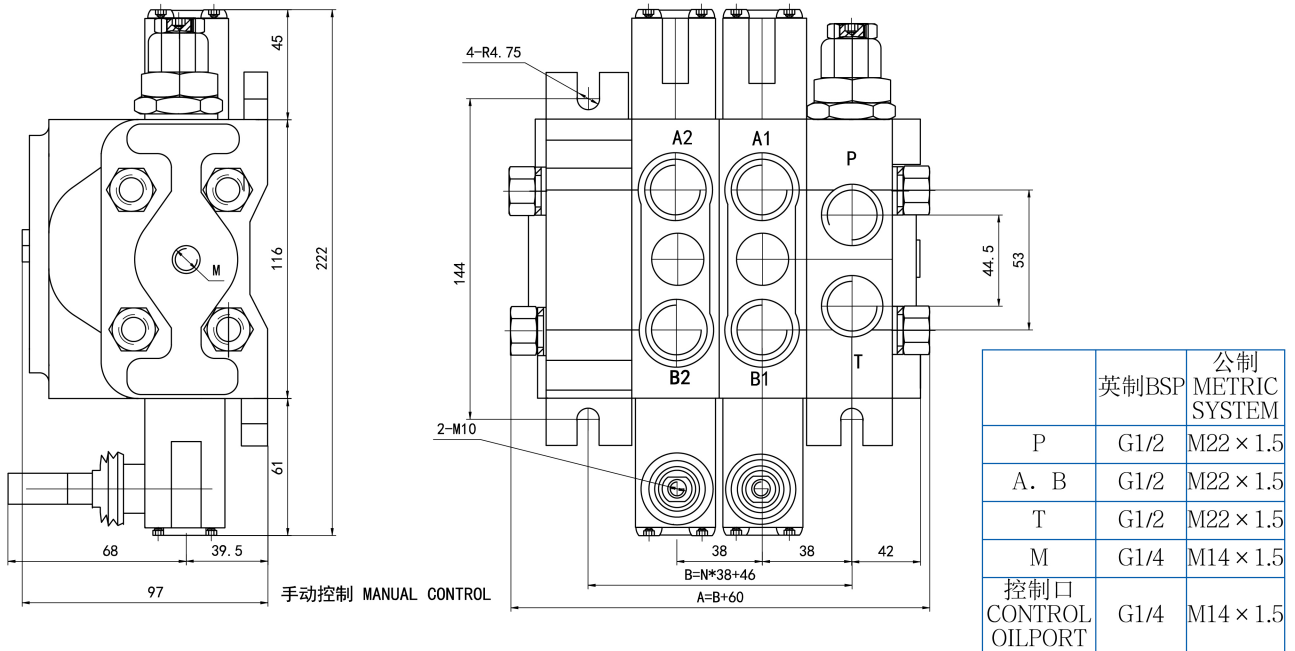
•DCV40 气动控制 外形图 OU-TLINE DIMENSIONS



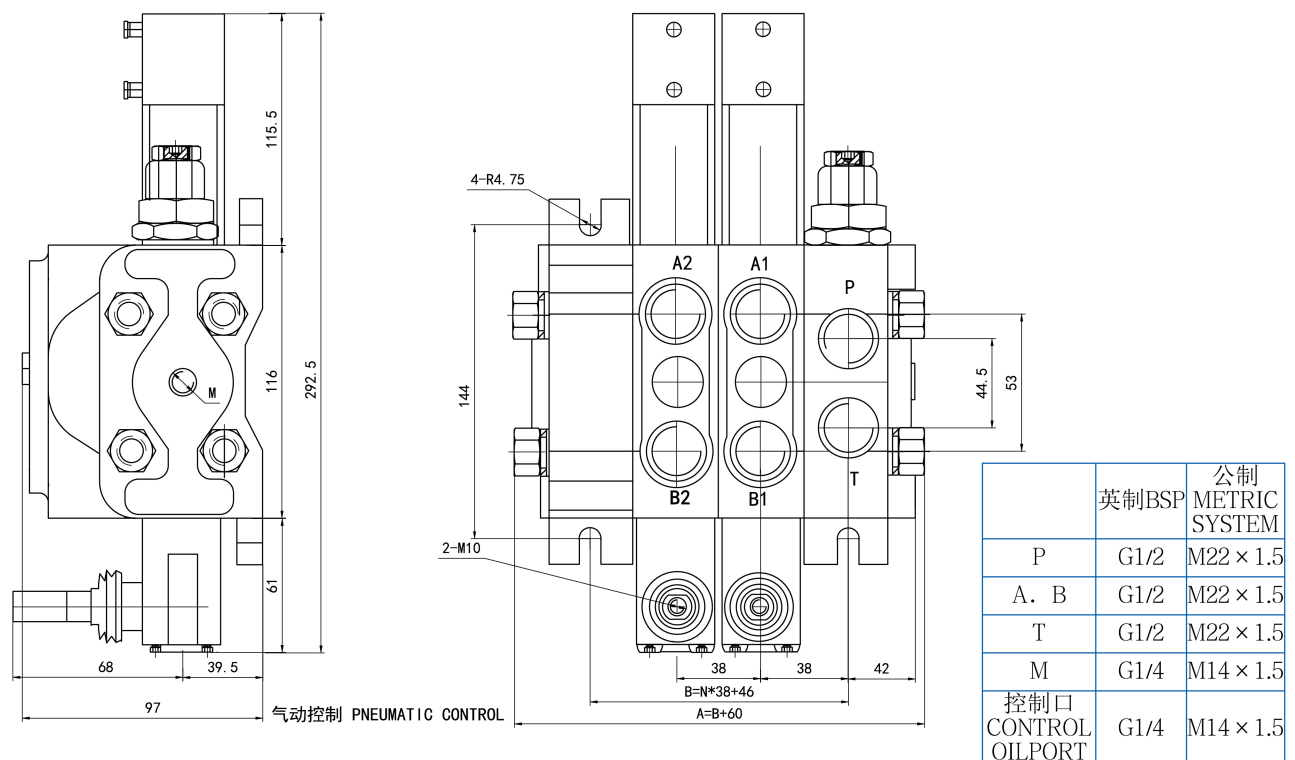
	1联	2联	3联	4联	N联
A	73	110	147	184	$73 + (N-1) \times 37$
B	103	140	177	214	$103 + (N-1) \times 37$
C	81	81	81	81	81
D	M18 × 1.5 OR G3/8				

DCV系列 多路阀

●DCV60 手动控制 外形图 OU-TLINE DIMENSIONS

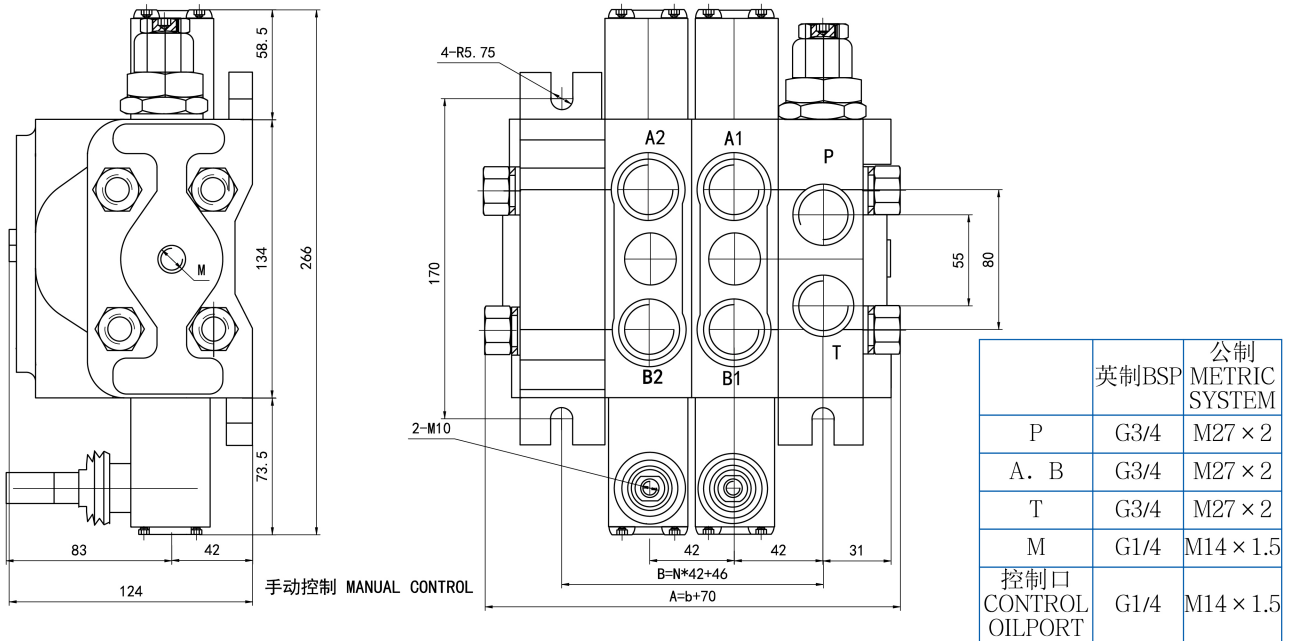


●DCV60 气动控制 外形图 OU-TLINE DIMENSIONS

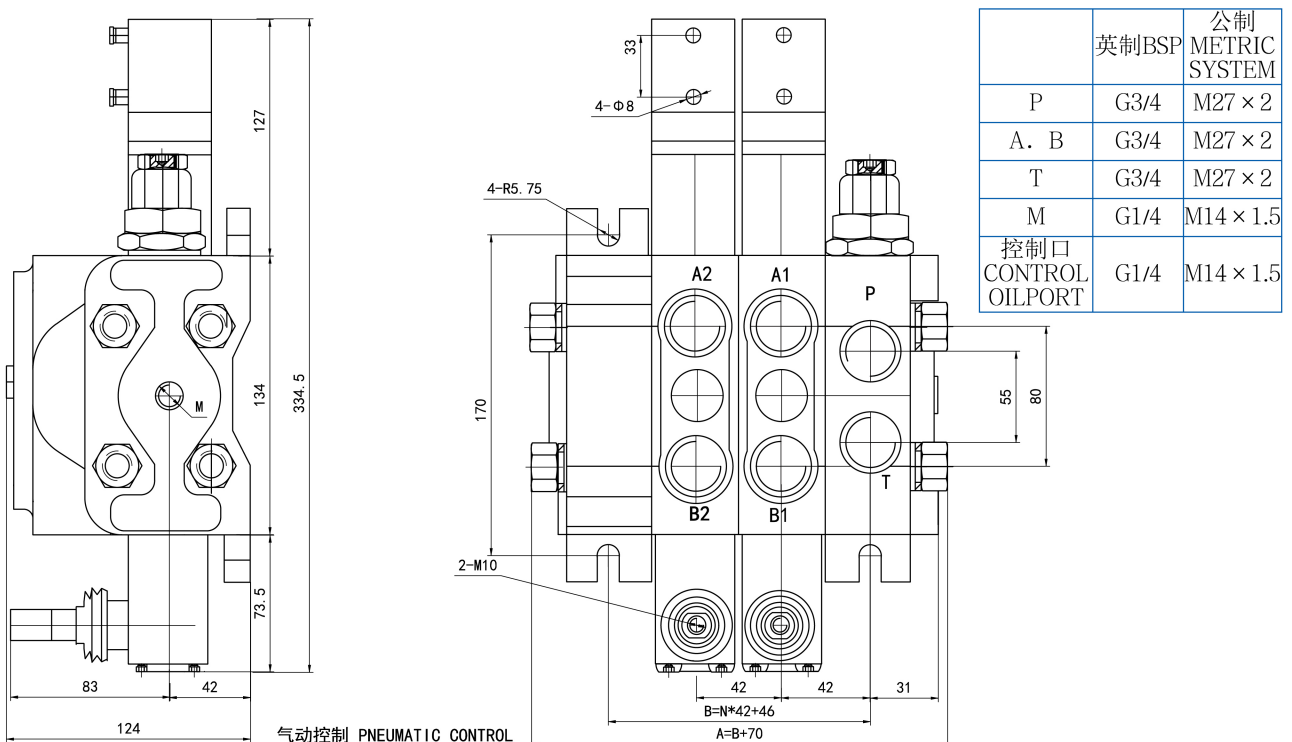


DCV系列 多路换向阀

•DCV100 手动控制 外形图 OU-TLINE DIMENSIONS

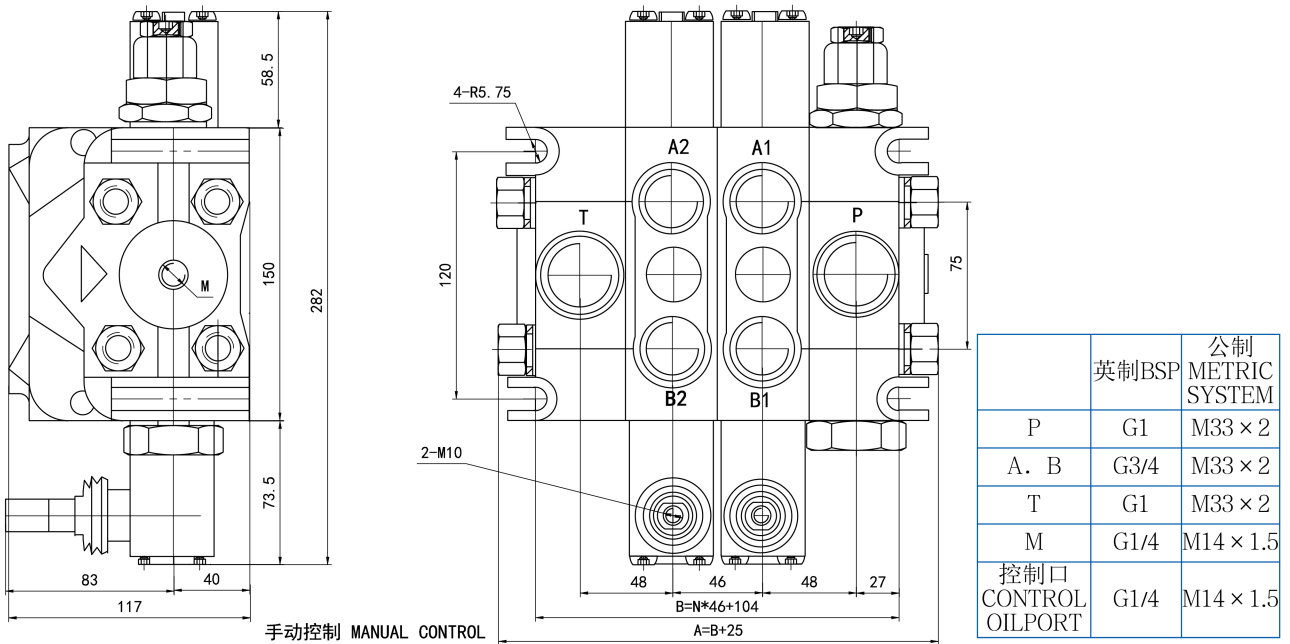


•DCV100 气动控制 外形图 OU-TLINE DIMENSIONS



DCV系列 多路阀

●DCV140 手动控制 外形图 OU-TLINE DIMENSIONS



●DCV140 气动控制 外形图 OU-TLINE DIMENSIONS

