

HGP-1A/1A系列 多联齿轮泵

● 用途与特征 APPLICATION AND FEATURES

1. 高强度铝合金泵体、重量轻，噪音低。2. 合金钢硬齿面传动、寿命长、性能稳定。3. DU复合轴承及高性能密封元件，启动力矩小，密封性好。4. 本产品为双联泵组合形式，用于驱动两组执行元件。

1. High-strength aluminum alloy pump body, light weight, low noise. 2. Alloy steel hard tooth surface transmission, long life, stable performance. 3. DU composite bearings and high-performance sealing elements, small starting torque, good sealing. 4. This product is a combination form of duplex pump, which is used to drive two sets of actuators.



● 型号说明 MODEL CODING

HGP-11A	—	F	※	/	※	R
①		②	③		④	⑤

① 产品代号 Product Codename

F: 20MAP

② 公称压力 Nominal pressure

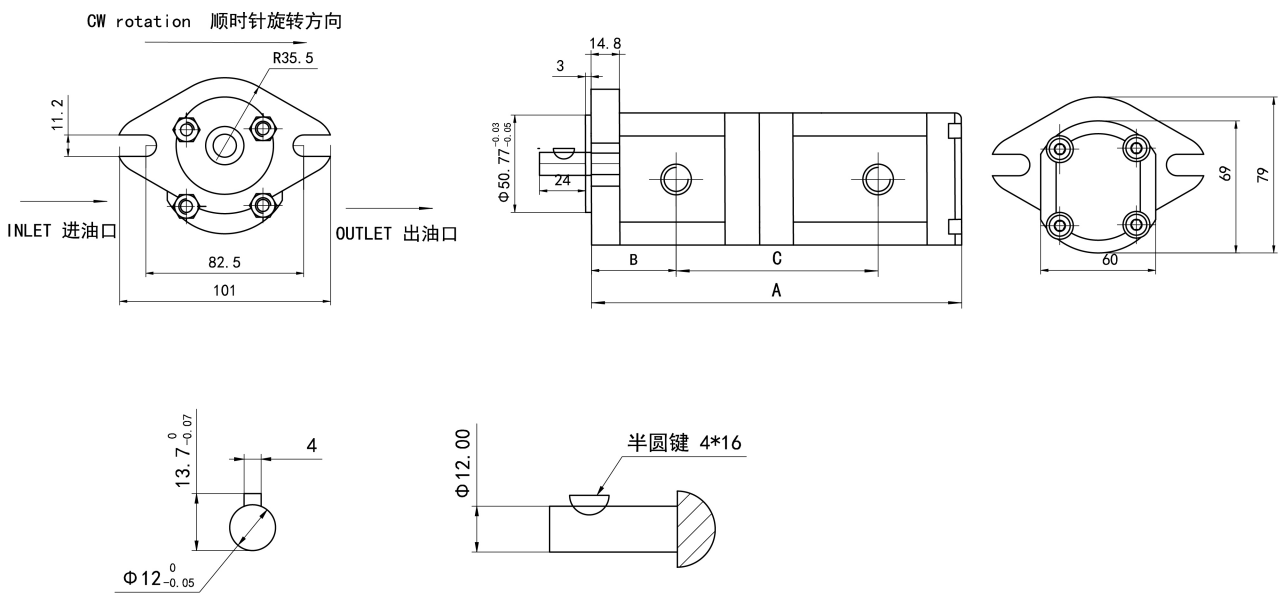
③ ④ 公称排量 Nominal displacement

⑤ 旋向 Rotation direction

L: 左旋 levorotation

R: 右旋 dextrorotation (省略omit)

● 外形图 OU-TLINE DIMENSIONS



● 性能参数 SPECIFICATION

型号 Model	公称排量 (ml/r) Disp	压力 Mpa		转速			A	B	C	进油口 Inlet	出油口 Outlet
		额定 Rated	最高 Max	额定 Rated	最高 Max	最低 Min					
HGP-11A-F1/1	1/1	18/18	21/21	1800	4500	1000	145.75	36.5	73.5	PT3/8	PT3/8
HGP-11A-F2/2	2/2				4000	600	154	40.25	76.5		
HGP-11A-F3/3	3/3				3200		165	43	82		
HGP-11A-F4/4	4/4				177		46	88			
HGP-11A-F5/5	5/5				16/16	18/18	2500	185	48		
HGP-11A-F6/6	6/6	197	51	98							
HGP-11A-F8/8	8/8										

HGP-2A/2A系列 多联齿轮泵

● 用途与特征 APPLICATION AND FEATURES

1. 高强度铝合金泵体、重量轻，噪音低。2. 合金钢硬齿面传动、寿命长、性能稳定。3. DU复合轴承及高性能密封元件，启动力矩小，密封性好。4. 本产品为双联泵组合形式，用于驱动两组执行元件。

1. High-strength aluminum alloy pump body, light weight, low noise. 2. Alloy steel hard tooth surface transmission, long life, stable performance. 3. DU composite bearings and high-performance sealing elements, small starting torque, good sealing. 4 This product is a combination form of duplex pump, which is used to drive two sets of actuators.



● 型号说明 MODEL CODING

HGP-22A	—	F	※	/	※	R
①		②	③		④	⑤

① 产品代号 Product Codename

② 公称压力 Nominal pressure

F: 20MAP

③ ④ 公称排量 Nominal displacement

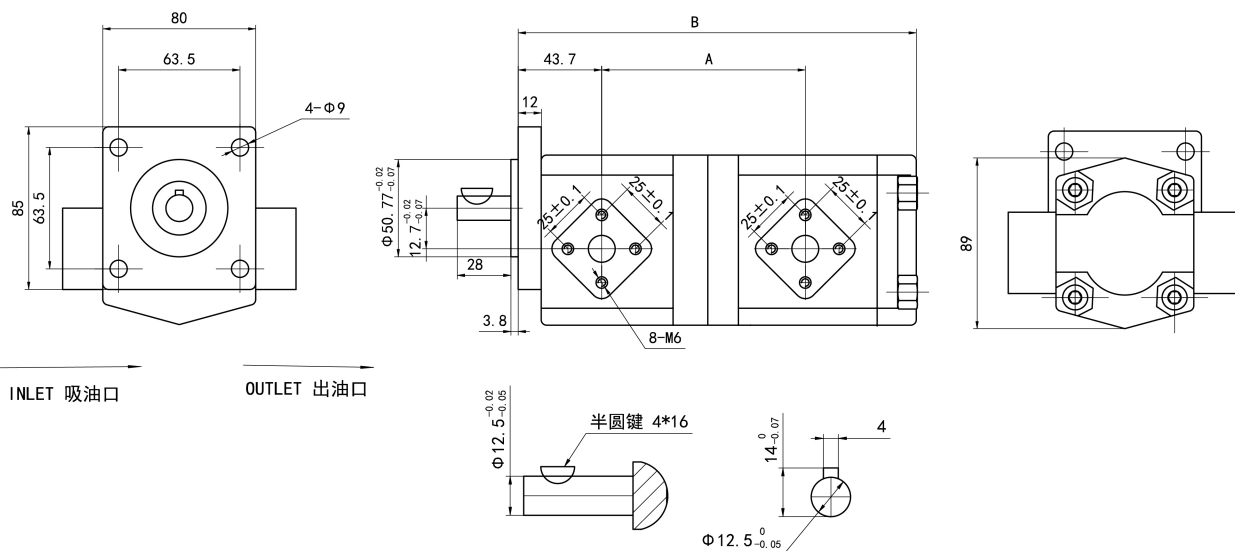
⑤ 旋向 Rotation direction

L: 左旋 levorotation

R: 右旋 dextrorotation (省略omit)

● 外形图 OU-TLINE DIMENSIONS

CW rotation 顺时针旋转方向



● 性能参数 SPECIFICATION

型号Model	公称排量 (ml/r) Disp	压力Mpa		转速			A	B	进油口 (D) Inlet	出油口 (d) Outlet
		额定Rated	最高Max	额定Rated	最高Max	最低Min				
HGP-22A-F3/3	3/3	18/18	21/21	1800	2000	850	102	204.7	2-R15	2-R15
HGP-22A-F4/4	4/4				3500	700				
HGP-22A-F6/6	6/6				3000	600	99.3	197.7		
HGP-22A-F8/8	8/8				2500	550	100.6	200.2		
HGP-22A-F9/9	9/9	15/15	17.5/17.5	2000	2000	500	101.3	201.7		
HGP-22A-F11/11	11/11				102.8	204.7				
HGP-22A-F12/12	12/12									

HGP-3A/3A系列 多联齿轮泵

● 用途与特征 APPLICATION AND FEATURES

1. 高强度铝合金泵体、重量轻，噪音低。2. 合金钢硬齿面传动、寿命长、性能稳定。3. DU复合轴承及高性能密封元件，启动力矩小，密封性好。4. 本产品为双联泵组合形式，用于驱动两组执行元件。

1. High-strength aluminum alloy pump body, light weight, low noise. 2. Alloy steel hard tooth surface transmission, long life, stable performance. 3. DU composite bearings and high-performance sealing elements, small starting torque, good sealing. 4 This product is a combination form of duplex pump, which is used to drive two sets of actuators.



● 型号说明 MODEL CODING

HGP-33A	—	F	※	/	※	R
①		②	③		④	⑤

① 产品代号Product Codename

② 公称压力Nominal pressure

F: 20MAP

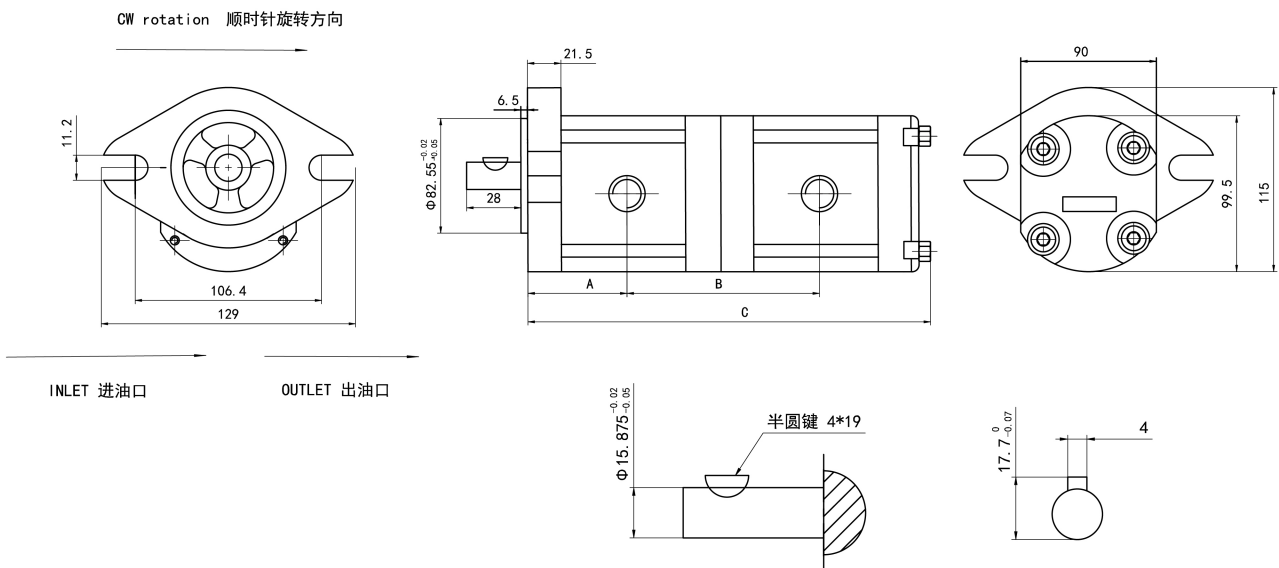
③ ④ 公称排量Nominal displacement

⑤ 旋向Rotation direction

L: 左旋levorotation

R: 右旋dextrorotation (省略it)

● 外形图 OU-TLINE DIMENSIONS



● 性能参数 SPECIFICATION

型号Model	公称排量 (ml/r) Disp	压力Mpa		转速 (r/min) Speed			A	B	C	进油口 (D) Inlet	出油口 (d) Outlet
		额定Rated	最高Max	额定Rated	最高Max	最低Min					
HGP-33A-F6/6	6/6	18/18	21/21	1800	3000	700	44.5	94	200	2-PT3/4	2-PT1/2
HGP-33A-F8/8	8/8						45.25	97	206		
HGP-33A-F11/11	11/11						46.5	100	212		
HGP-33A-F14/14	14/14						48	106	224		
HGP-33A-F17/17	17/17						49	109	230		
HGP-33A-F19/19	19/19						50	116	244		
HGP-33A-F23/23	23/23						51.75	120	252		
HGP-33A-F25/25	25/25						52.5	123	258		
HGP-33A-F28/28	28/28	14/14	18/18				53.5	128	268	2-PT1	2-PT3/4
HGP-33A-F30/30	30/30						54.5	131	274		