

YF-L/B10/20/32溢流阀

• 用途与特征 APPLICATION AND FEATURES

YF-S型溢流阀采用平衡活塞式结构，压力调整为手轮式，它工作可靠，性能稳定，并具有体积小、重量轻、维修方便、噪音低等优点。是液压系统中的重要元件，能使液压系统控制所调定的压力接近恒定或防止系统压力超荷，起安全作用。

The type overflow valve adopts the balanced piston mechanism, the pressure adjustment is the hand-wheel type, it works reliably, the performance is stable, and has the advantages of small volume, light weight, convenient maintenance, low noise and so on. It is an important element in the hydraulic system, which can make the pressure adjusted by the hydraulic system control close to constant or prevent the system pressure from exceeding the load and play a safety role.

旋转调压手轮可改变阀的调定压力，右旋时压力增高，左旋时压力降低，更换弹簧能得到不同的压力调节范围。

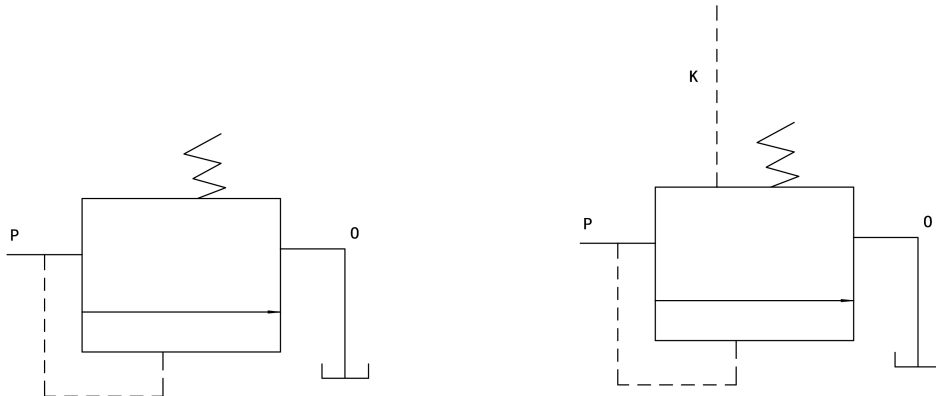
Rotating pressure-regulating hand-wheel can change the valve's adjustment pressure, the right spin pressure is increased, the left-hand pressure is reduced, the replacement spring can get different pressure adjustment range.

本系列阀P口为进油口，T(O)口为溢油口，K口为外控油口。

This series of valve p mouth for the inlet, T (O) mouth for the oil spill, K mouth for the outer control port.



• 符号 SYMBOL



• 型号说明 MODEL CODING

YF	-	×	×	H	×
①		②	③	④	⑤

① 产品代号 Unit code

② L管式安装 Pipe install B板式安装 Plate install

③ 公称通径 Nominal size 10 mm 流量 Nominal flow rate 40 L/min
 Nominal size 20 mm 流量 Nominal flow rate 100 L/min
 Nominal size 32 mm 流量 Nominal flow rate 200 L/min

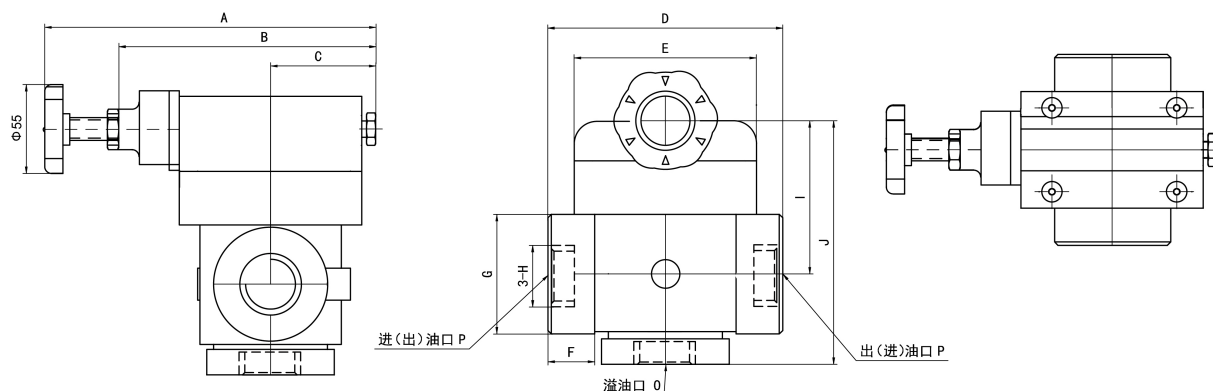
④ 公称压力 Nom. Pressure (MPa) : H 31.5

⑤ 压力调节范围 Pressure adjust range 1=0.6~8 MPa 2=4~16 MPa
 3=8~20 MPa 4=16~31.5 MPa

YF-S溢流阀外形安装连接尺寸 / MODEL Overflow valve DIMENSIONAL DATA

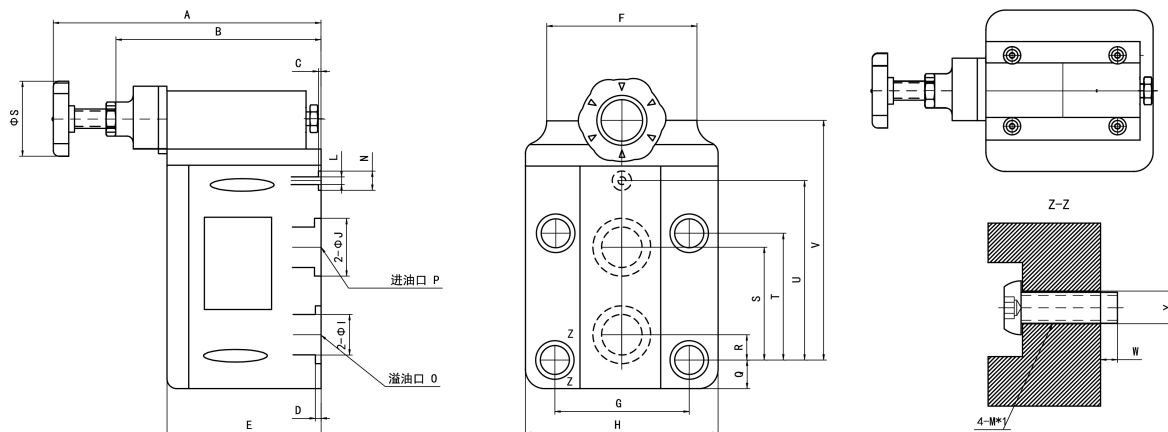
YF-L/B10/20/32溢流阀

• YF-L20H、32H 外形图 OU-TLINE DIMENSIONS



型号	A	B	C	D	E	F	G	H	I	J
YF-L20H×	161	128	48	103	78	18	φ50	M27×2	67	118.5
YF-L32H×	165	129	51	125	84	23	φ70	M42×2	84	149

• YF-B10H 外形图 OU-TLINE DIMENSIONS

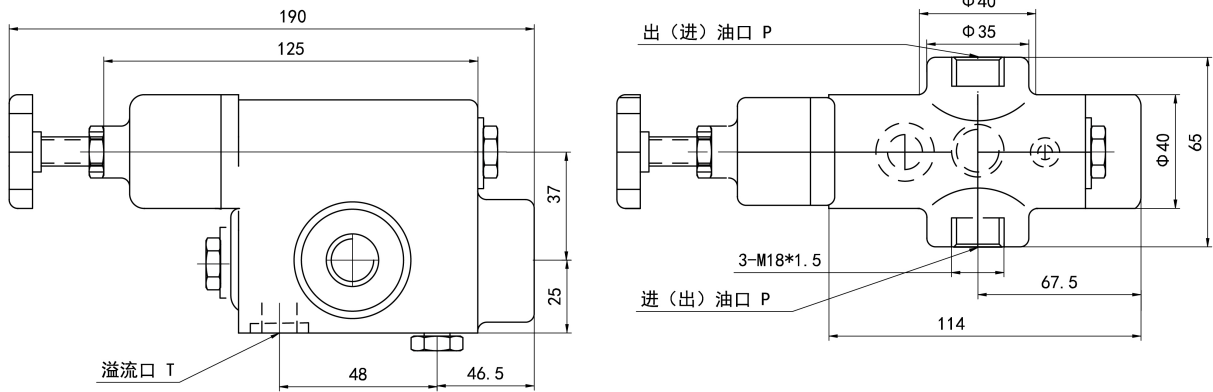


型号	A	B	C	D	E	F	G	H	I	J	L	GB70-85M×1
YF-B20H×	163	130	1.4	2.4	68	78	70	100	φ21	φ30	φ4	M16×85
YF-B32H×	167	134	1.4	2.8	73	84	82	118	φ28	φ40	φ4	M20×100

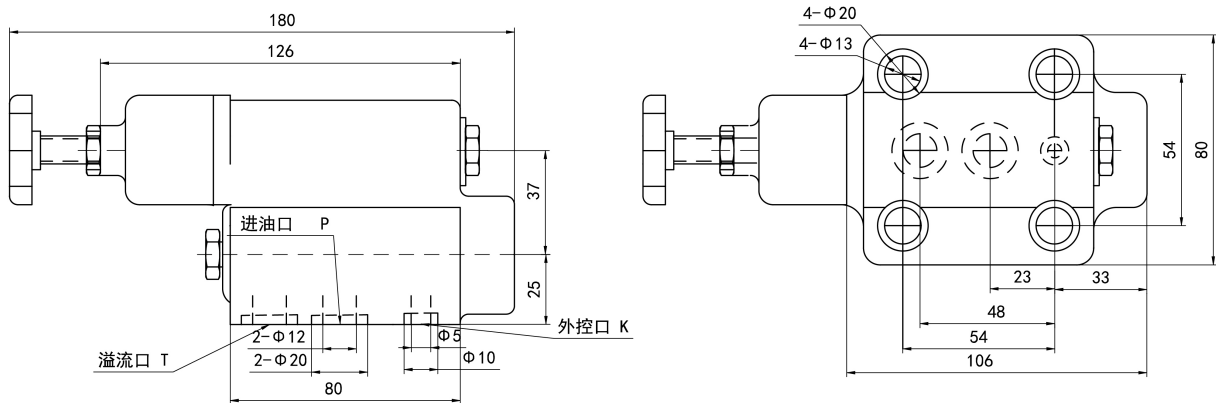
N	Q	R	S	T	U	V	W	X	Y
φ10	15	13	58	66	93	140	20	φ26	φ17
φ10	21	12	77	89	122	182	28	φ31.5	φ21.5

YF-L/B10/20/32溢流阀

• YF-L10H 外形图 OU-TLINE DIMENSIONS



• YF-B10H 外形图 OU-TLINE DIMENSIONS



安装螺丝：4-M12*50

WKYF 直动式管式溢流阀

● 用途与特征 APPLICATION AND FEATURES

直动式管式溢流阀是一种插装阀结构的溢流阀，抗污染性能好，维修方便的特点。

Direct acting tube relief valve is a kind of cartridge valve structure relief valve, good anti-pollution performance, convenient maintenance characteristics.



● 型号说明 MODEL CODING

WKYF	-	L*	-	H*
①		②		③

① 产品代号: Product Code:

② 公称通径: Nominal diameter:

③ 压力调节范围: Pressure regulation range

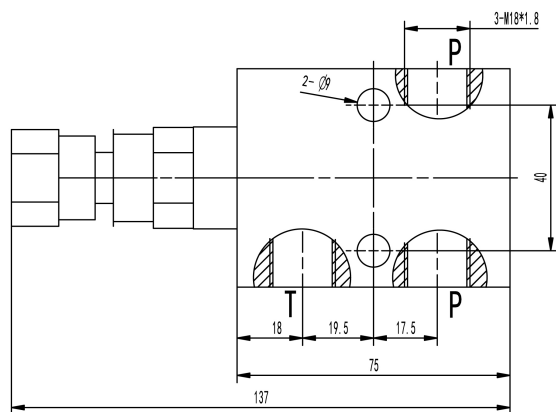
10流量: 60L/Min

20流量: 100L/Mmin

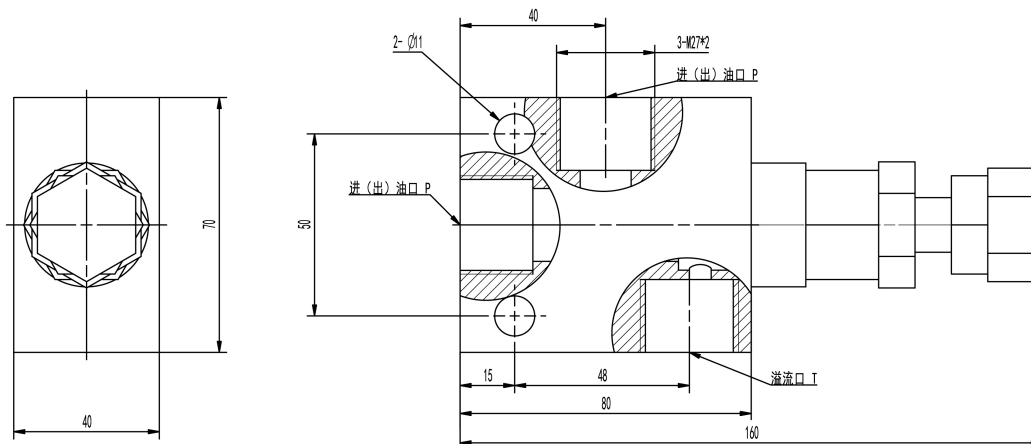
1: 0.6—8Mpa 2: 4—16Mpa

3: 8—20Mpa 4: 16—31.5Mpa

● WKYF 外形图 OU-TLINE DIMENSIONS



WKYF-H10L4



WKYF-H20L4