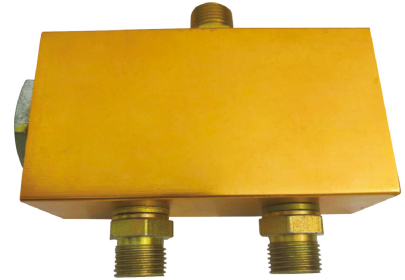


## C 同步阀

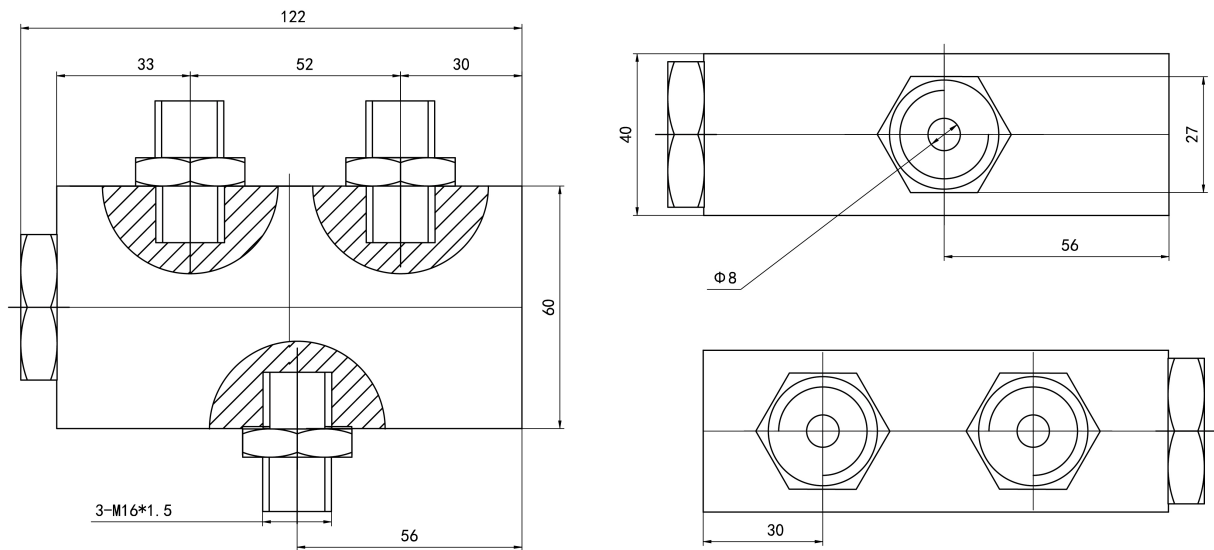
● 型号说明 MODEL CODING

TBF	-	L	10	H
①		②	③	④

- ①产品代号Unit code
- ②管式安装L Pipe install
- ③公称通径 Nominal size 10 mm 流量Nominal flow rate 32 L/min
- ④公称压力31.5 MPa Pressure (MPa) : H 31.5



● 同步阀 外形图 OU-TLINE DIMENSIONS

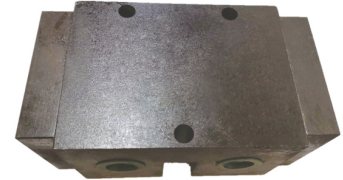


## C 同步阀

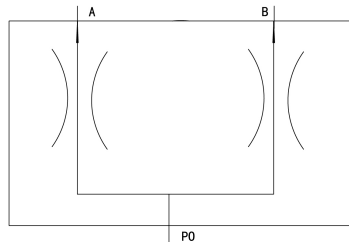
### • 用途与特征 APPLICATION AND FEATURES

同步阀在液压系统中，使同一油泵供油的2~4个相同的执行元件，无论负载大小，均能达到双向速度同步的目的。

Synchromesh valve in the hydraulic system, the same actuator that 2~4 the same oil pump, regardless of the load size, can achieve the goal of bidirectional speed synchronization.



### • 符号 SYMBOL



### • 型号说明 MODEL CODING

FJL	-	L	×	H
①		②	③	④

①产品代号Unit code

②L管式安装Pipe install

③公称口径 Nominal size 10 mm  
Nominal size 15 mm  
Nominal size 20 mm

④公称压力31.5 MPa

B板式安装Plate install

流量Nominal flow rate 40 L/min

流量Nominal flow rate 80 L/min

流量Nominal flow rate 100 L/min

Pressure (MPa) : H 31.5

### • 同步阀 外形图 OU-TLINE DIMENSIONS

