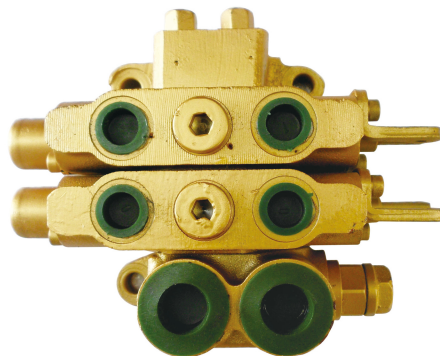


DL-F8L (长源型) 多路阀

● 用途与特征 APPLICATION AND FEATURES

DL-F8L (长源型) 系列多路阀是由进油阀片、换向阀片和回油阀片组成。DL-F8L系列多路阀的辅助体可以带有压力输出口, 可与其它液压元件串联使用。该阀具有结构紧凑, 工作压力较高, 性能好, 工作可靠, 可实现多个执行机构的近、远程控制等优点。广泛应用于工程机械、矿山机械和其它机械的液压系统。本公司生产1到10路

It may be combined random. The directional changed level has two installg ways for different operation. The valve is used parallel connection oil route It has pressure releasing outlet to connect other hydraulic components tc provide power source. The sealing is specially designed sith good sealing. The valve is widely used in the hydraulic system of forklift environment vehicle and light loading machines. monoblock construction,1-10 lever.



● 型号说明 MODEL CODING

DL	-	F	8L	-	×	T	-	×	-	J
①		②	③		④	⑤		⑥		⑦

①产品代号Unit code

②压力等级Pressure grade F: 20MPa最大压力 (MPa) Max. Pressure 31.5

③公称通径Nominalsize 8mm流量Nominal flow rate 50L/min

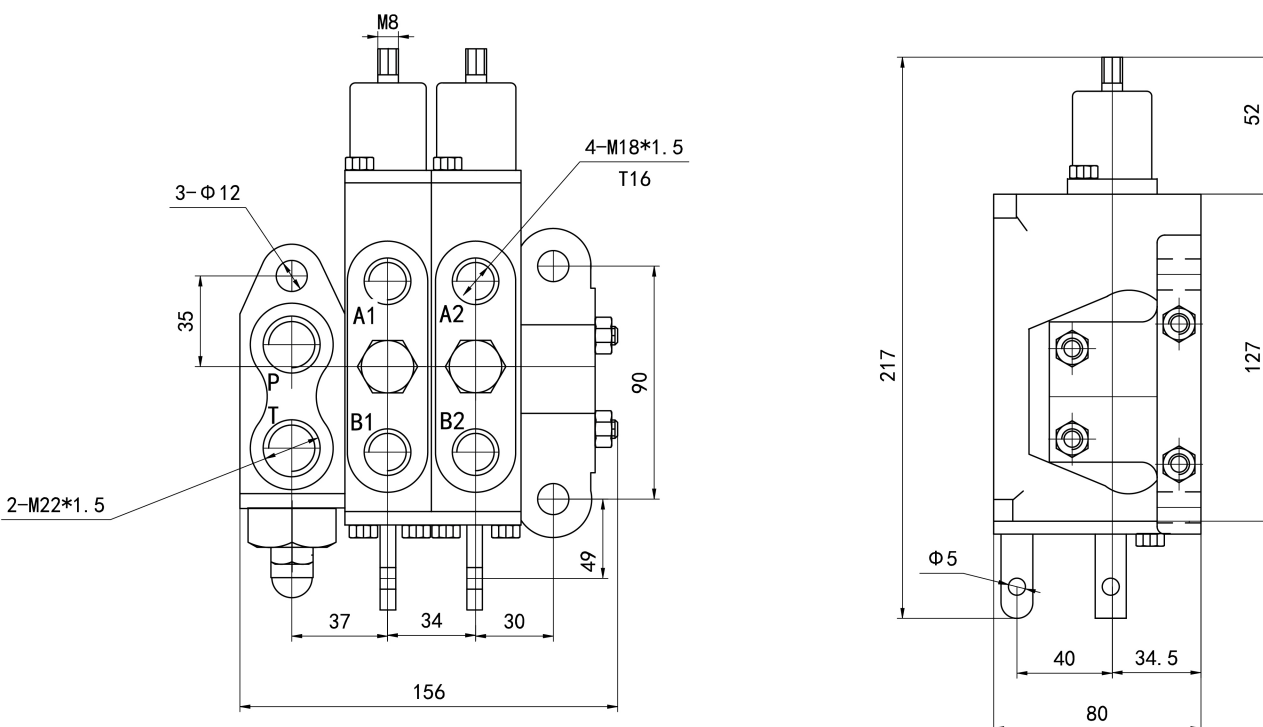
④工作联数 job number

⑤复位方式Spool returning T: 弹簧复位Spring W钢球定位 (Detent Control)

⑥滑阀机能Spool function A O Y

⑦省略为正常型号 Normal type带“J”为带压力输出 Output with pressure

● 外形图 OU-TLINE DIMENSIONS

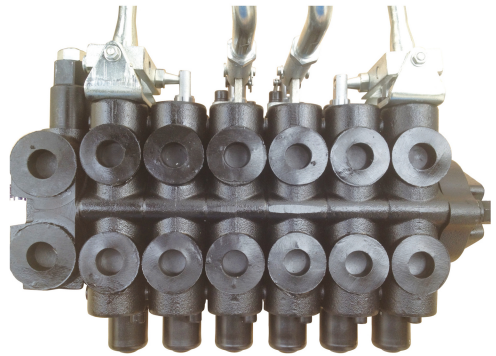


DL-F15L (长源型) 系列 多路阀

● 用途与特征 APPLICATION AND FEATURES

DL-F15L (长源型) 系列多路阀是由进油阀片、换向阀片和回油阀片组成。DL-F15L系列多路阀的辅助体可以带有压力输出口, 可与其它液压元件串联使用。该阀具有结构紧凑, 工作压力较高, 性能好, 工作可靠, 可实现多个执行机构的近、远程控制等优点。广泛应用于工程机械、矿山机械和其它机械的液压系统。本公司生产1到10路

It may be combined random. The directional changed level has two installing ways for different operation. The valve is used parallel connection oil route It has pressure releasing outlet to connect other hydraulic components to provide power source. The sealing is specially designed with good sealing. The valve is widely used in the hydraulic system of forklift environment vehicle and light loading machines. valves combination, 1-10



● 型号说明 MODEL CODING

DL	-	F	15L	-	0	3	T	M	4	W	J
①		②	③		④	⑤	⑥	⑦	⑧	⑨	⑩

①产品代号Unit code

②压力等级Pressure grade F: 20 MPa最大压力 (MPa) Max. Pressure 31.5

③公称通径Nominal diameter 15 mm流量Nominal flow rate 65 (L/min)

④⑦换向体中位机能Commutator median function A O Y Q

⑤⑧A B口辅助阀 3表示B口带过载阀 4表示AB口带过载阀

A B Aided valve 3 Say B overload. 4 Say A B overload.

⑥⑨复位方式Spool returning T: 弹簧复位Spring W钢球定位Steel ball positioning

Q: 气动复位Pneumatic U: 液压控制Hydraulic pressure

⑩省略为正常型号 Normal type带“J”为带压力输出 Output with pressure

注: 订货时有特殊要求者, 请与技术部联系。

● 外形图 OUTLINE DIMENSIONS

