

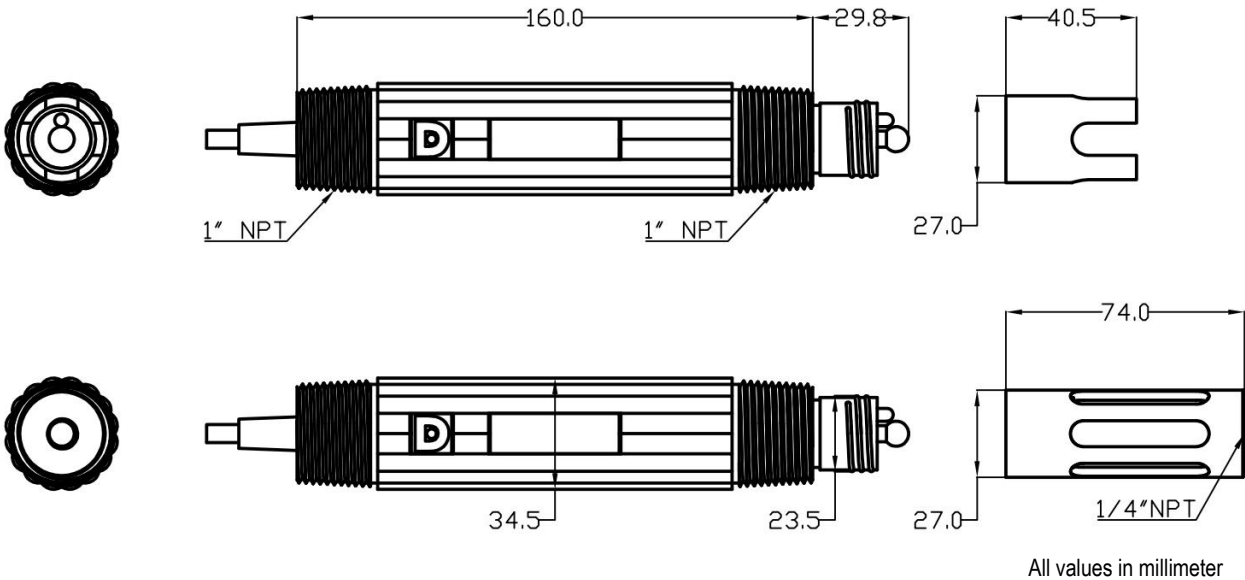


Specifications

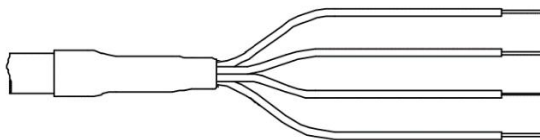


| | |
|------------------------|---|
| pH range | 0.00 – 14.00 pH |
| Temperature probe | NTC 10KΩ |
| Type of membrane glass | Transparent low impedance |
| Type of junction | Porous Teflon |
| Bridge electrolyte | Crystal |
| Sensor diameter | See dimensions drawing |
| Process connection | -1" NPT |
| Shaft material | PPS |
| Max. pressure at 25°C | 6 bar |
| Temperature range | 0 - 100 °C |
| Connection | Standard bare wires (other type on request) |
| Cable | Standard 5 m (other length on request) |

Dimensions Drawing



Cable Wire



- ① TRANSPARENT
- ② BLACK
- ③ WHITE
- ④ GREEN

Wiring diagram for bare wires

| | |
|---------------|------|
| ① TRANSPARENT | ACT |
| ② BLACK | REF |
| ③ WHITE | TEMP |
| ④ GREEN | TEMP |