

象山文涵流体设备有限公司
Xiangshan Wenhan Fluid Equipments Co., Ltd.

地址：浙江省宁波象山经济开发区西谷路315号
Add: No.315 Xigu Road, Xiangshan Economic
Development Zone, Ningbo, Zhejiang, China.
电话Tel: 0574-89503810
传真Fax: 0574-89503810
E-mail: sales2@wenhanfluid.com
Website: <http://www.bungingdevice.com>
<http://www.nbxswenhan.com>

2022

文涵流体设备 | Wenhan Fluid Equipments



请浏览
www.bungingdevice.com
热线电话
135 6664 5242



2022.04/1000

公司概况

象山文涵流体设备有限公司位于浙江省宁波象山经济开发区，公司专业生产发酵罐阀门、安全阀、压力阀、呼吸阀、排气阀、取样阀、调节压力阀等各种高精度阀门产品，广泛应用于饮料、啤酒、食品、乳制品、制药、化工等领域中。

公司拥有完整、科学的质量管理体系，拥有完善的加工设备与测试设备，同时公司具有多年的本行业的专业制造经验与技术力量，本公司的产品质量已得到广大客户的信赖及认可！

象山文涵流体设备有限公司以诚信、务实和高品质获得业界的一致认可。欢迎各界朋友莅临参观、指导和业务洽谈！

Company Profile

Xiangshan Wenhan Fluid Equipments Co.,Ltd. is located in Xiangshan Economic Development Zone, Ningbo, Zhejiang. Our company specialized in the production of fermentation tank valves, safety valve, pressure valves, breathing valves, exhaust valves, sampling valves, adjusting pressure valves and other kinds of high precision valves. Our products are widely used in the field of beverage, beer, food, dairy machine, pharmaceutical engineering, chemical engineering, etc.

Our company has a completely, scientific quality management system. We own perfect processing equipment and test equipment. At the same time, the company has had manufacturing experience and technical strength in this industry for many years. The quality of our products have been confirmed widely by lots of customers.

Xiangshan Wenhan Fluid Equipments Co.,Ltd. is recognized by the industry because of our good faith, strength and good quality of products. We welcome all friends to our company for a visit, guidance and business negotiation!



Contents 目录

01	WH-5101 调节阀 Regulating Valve
03	WH-5102 呼吸阀 Breathing Valve
05	WH-5102Z1 单项排气阀 One-way Exhaust Valve
06	WH-5103DX 调节排气阀 Adjusting Exhaust Valve
06	WH-5103SX 调节呼吸阀 Adjusting Breathing Valve
07	WH-5104 取样阀 Sampling Valve
11	WH-5107 压力阀 Pressure Valve
13	WH-5106 消沫器 Foam Eliminator
13	WH-5108 CO ₂ 测量仪 CO ₂ Gauge
13	WH-5109 中心阀 Center Valve
15	阀 Valves
17	配件 Accessories
17	人孔 Manway
18	管件 Pipes



WH-5101

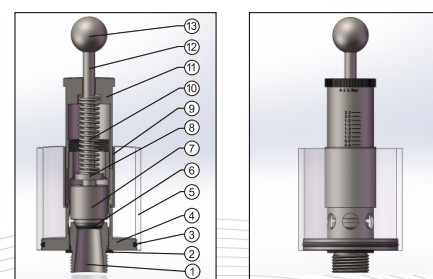
调节阀 Regulating Valve

功能和特性 Function and feature

- 该阀门应用于压力容器式管路系统上；
- 调节单向排气阀保护容器压力过高防爆作用，当压力高于设定压力(标准1BAR)时可以排气，反之关闭，调节杆上压力刻度，所需压力按刻度上调整，该阀门使用方便，刻度准确，玻璃罩加水能看到发酵效果，减少染菌。同时也可以满足于各种生产工艺需求，适用于各种食品加工，啤酒，饮料以及制药等各种工业领域。
- The valve is used in pressure vessel piping systems.
- Regulating one-way exhaust valve protect the container from excessive pressure and explosion-proof effect. When the pressure is higher than the set pressure (standard 1BAR), it can be exhausted, Otherwise it is closed. The regulating rod is marked with pressure scale, and the required pressure is adjusted according to the scale. The valve is easy to use with accurate scale, and the fermentation effect can be seen by adding water to the glass cover, It can minimize contamination. Meantime, it can meet all kinds of production process needs, suitable for all kinds of food processing, beer, beverage and pharmaceutical industries.

技术参数 Technical parameter

- 工作压力: 0.2-2.2 bar
- 压力调节范围: 1.1-3.2 bar
- 工作温度: -30°C+130°C
- Working pressure: 0.2-2.2 bar
- Pressure adjustment range: 1.1-3.2 bar
- Operating temperature: -30°C +130°C



No.	名称 Name	材质 Material
1	阀座 Valve seat	SS304
2	密封圈 Sealing gasket	EPDM
3	O型圈 O Ring	EPDM
4	阀体 Valve body	SS304
5	玻璃罩 Glass cover	PMMA
6	O型圈 O Ring	EPDM
7	阀芯 Valve element	SS304
8	弹簧垫 Spring pad	SS304
9	隔套 Spacer bush	SS304
10	弹簧 Spring	SS304
11	调节杆 Adjusting rod	SS304
12	拉杆 Pull rod	SS304
13	拉球 Pull the ball	SS304



WH-5101A
调节阀
Regulating Valve

管径: ϕ 28
隔膜式压力表
表盘: ϕ 60
卡盘: ϕ 50.5

Pipe OD: ϕ 28
Diaphragm pressure gauge
Dial plate: ϕ 60
Chuck: ϕ 50.5



WH-5101B
调节阀
Regulating Valve

管径: ϕ 32
压力表连接: M20 x 1.5
表盘: ϕ 100
卡盘: ϕ 50.5

Pipe OD: ϕ 32
Pressure gauge connection:
M20 x 1.5
Dial plate: ϕ 100
Chuck: ϕ 50.5



WH-5101C
调节阀
Regulating Valve

11851德标
DN25内丝
管径: ϕ 28

11851DIN
DN25 Female
Pipe OD: ϕ 28



WH-5101D
调节阀
Regulating Valve

直管式
管径: ϕ 28
卡盘: ϕ 50.5

Straight type
Pipe OD: ϕ 28
Chuck: ϕ 50.5



WH-5101E
调节阀
Regulating Valve

弯头式
管径: ϕ 32
卡盘: ϕ 50.5

Elbow type
Pipe OD: ϕ 32
Chuck: ϕ 50.5



WH-5101F
调节阀
Regulating Valve

管径: ϕ 28
压力表连接: M14 x 1.5
卡盘: ϕ 50.5

Pipe OD: ϕ 28
Pressure gauge connection:
M14 x 1.5
Chuck: ϕ 50.5



WH-5101G
调节阀
Regulating Valve

管径: ϕ 28
隔膜式压力表
表盘: ϕ 60
卡盘: ϕ 50.5

Pipe OD: ϕ 28
Diaphragm pressure gauge
Dial plate: ϕ 60
Chuck: ϕ 50.5



WH-5101H
调压阀 (排放CO₂)
Pressure Regulating Valve



WH-51012
调压阀
Pressure Regulating Valve

WH-5102

呼吸阀 Breathing Valve

功能和特性 Function and feature

- 该阀门应用于压力容器式管路系统上；
- 呼吸阀具备两种功能，当压力高于设定压力(标准1BAR)时可以排气，反之关闭，当管路系统中产生真空(标准-0.1BAR)时阀门自动打开，保证设备和相关仪表的安全保护作用，同时也可以满足于各种生产工艺需求，该阀门不锈钢材质，卫生设计，满足于各种食品加工，啤酒，饮料以及制药等各种工业领域。
- The valve is used in pressure vessel piping systems.
- Breathing valve has two functions, when the pressure is higher than the set pressure (standard 1 BAR) can exhaust, whereas closed, while vacuum piping system (standard -0.1BAR) when the valve opens automatically, to ensure the safety of the equipment and related instrumentation protection, at the same time can also meet the demand in all kinds of production process, the valve in stainless steel material, health design, content with all sorts of food processing, beer, beverage and pharmaceutical and other industries.

技术参数 Technical parameter

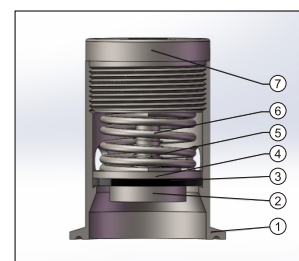
- 接口：卡箍
- 压力：0.2MPa
- 温度：-30°C+150°C
- 工作介质：气体
- Interface: Clamp
- Pressure: 0.2MPa
- Temperature: -30°C +150°C
- Working medium: Gas



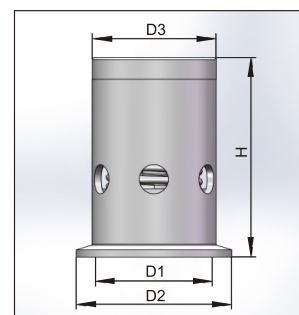
WH-5102
呼吸阀 PVRV
Breathing Valve
PVRV
卡箍式
Clamp Type



WH-5102
呼吸阀 PVRV微调型
Breathing Valve
PVRV Fine-tuning Type
卡箍式
Clamp Type



No.	名称 Name	材质 Material
1	阀体 Valve body	SS304
2	阀芯 Valve element	SS304
3	密封垫 Sealing gasket	EPDM
4	负压弹簧 Negative Pressure Spring	SS304
5	玻璃罩 Glass cover	SS304
6	正压弹簧 Positive Pressure Spring	SS304
7	螺盖 Blind nut	SS304



尺寸 Size	D1	D2	D3	H
34	25	34	30.5	49
1"	25	50.5	30.5	49
1.5"	35	50.5	42	72
2"	47	64	51	85
2.5"	59	78	64	90
3.5"	83	105	88	135



WH-5102H
呼吸阀 PVRV
Breathing Valve
PVRV
DN50

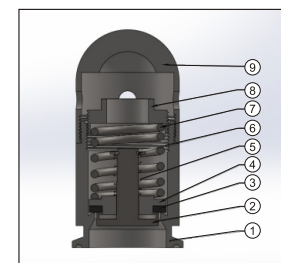
WH-5102Q 球型呼吸阀

功能和特性 Function and feature

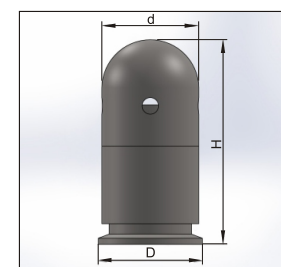
- 该阀门应用于压力容器式管路系统上；
- 呼吸阀具备两种功能，当压力高于设定压力(标准1BAR)时可以排气，反之关闭，内部设计调节压力功能，外设计球型盖保护调节盖。当管路系统中产生真空(标准-0.1BAR)时阀门自动打开，外界空气进入容器内，防止容器吸扁。保证设备和相关仪表的安全保护作用，同时也可以满足于各种生产工艺需求，该阀门不锈钢材质，卫生设计，满足于各种食品加工，啤酒，饮料以及制药等各种工业领域。
- The valve is used in pressure vessel piping systems.
- Breathing valve has two functions, when the pressure is higher than the set pressure (standard 1 BAR) can exhaust, whereas closed, Internally designed to adjust the pressure function, externally spherical cover protect adjusting cover. while vacuum piping system (standard -0.1BAR) when the valve opens automatically, to ensure the safety of the equipment and related instrumentation protection, at the same time can also meet the demand in all kinds of production process, the valve in stainless steel material, health design, content with all sorts of food processing, beer, beverage and pharmaceutical and other industries.

技术参数 Technical parameter

- 接口：快装，卡箍
- 压力：0.1MPa, 0.2MPa, 0.3MPa等
- 温度：-30°C+150°C
- 工作介质：气体
- 内部设计压力：由弹簧控制
- Interface: Quick installation, Clamp
- Pressure: 0.1MPa, 0.2MPa, 0.3MPa, etc.
- Temperature: -30°C +150°C
- Working medium: Gas
- Internal design pressure: Controlled by spring



No.	名称 Name	材质 Material
1	阀座 Valve seat	SS304
2	阀芯 Valve element	SS304
3	密封垫 Sealing gasket	EPDM
4	阀垫 Valve pad	SS304
5	阀芯弹簧 Valve core Spring	SS304
6	卡簧 Circlip	SS304
7	弹簧 Spring	SS304
8	调节盖 Adjusting cap	SS304
9	球形盖 Spherical cover	SS304



尺寸 Size	D	d	H
1.5"	50.5	48	98
2"	64	56	110



WH-5102Q
球型呼吸阀 PVRV
Spherical Breathing Valve
PVRV
卡箍式
Clamp Type



WH-62042
不锈钢呼吸器
Sanitary Rebreather

卡箍式
Clamp Type

WH-5102Z1

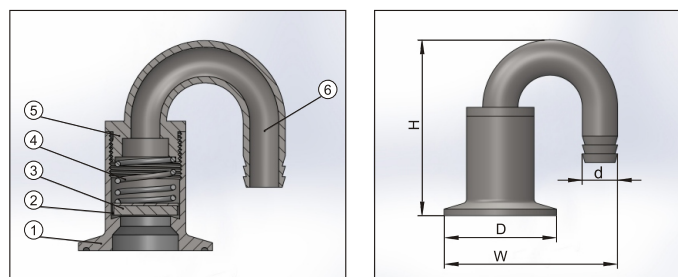
单项排气阀 One-way Exhaust Valve

功能和特性 Function and feature

- 该阀门应用于压力容器式管路系统上；
- 蒸汽安全阀具备单向功能，当压力高于设定压力（标准1BAR）时可以排气，反之关闭，由弹簧来控制压力增压，各种压力可以定制，达到你想要的压力，三夹钳连接管道或容器。出气口U型弯头可以套软管接头 进行排放气体或者排放链接到其它地方排气，紧凑型设计，方便拆装，保证设备和相关仪表的安全保护作用，同时也可以满足于各种生产工艺需求，该阀门不锈钢材质，卫生设计，满足于各种食品加工，啤酒，饮料以及制药等各种工业领域。
- The valve is applied to pressure vessel pipeline systems.
- Steam safety valve has one-way function. When the pressure is higher than the set pressure (stand 1BAR), it can exhaust, whereas closed. Spring controls the pressure boost. Various pressures can be customized to achieve the desired pressure. Tri-clamps connection pipes or containers. The u-bend of the air outlet can be fitted to the hose connector for discharging gas or the discharge can be connection to other places for discharging gas. The compact design is convenient for disassembly and assembly to ensure the safety protection of equipment and related instruments. it can also meet the needs of various production processes. The valve is made of stainless steel, and its sanitary design can meet various industrial fields such as food processing, beer, beverage and pharmaceuticals.

技术参数 Technical parameter

- 链接方式：三夹钳
- 出气口：U型弯头软管接头
- 温度：-10°C+150°C
- Connection mode: Tri-clamps
- Outlet: U-Bend elbow hose connector,
- Temperature: -10°C+150°C



No.	名称 Name	材质 Material
1	阀体 Valve body	SS304
2	阀座 Valve seat	SS304
3	密封垫 Sealing gasket	EPDM
4	弹簧 Spring	SS304
5	压盖 Gland	SS304
6	U形弯头 U-Bend	SS304

尺寸 Size	W	D	d	H
1"	86	51	16	82



WH-5102Z1
单项排气阀(安全阀)PRV
One-way Exhaust Valve PRV
蒸汽安全阀
卡箍式
Clamp Type

WH-5103DX

调节排气阀 Adjusting Exhaust Valve



WH-5103DX
调节排气阀 PRV
Adjusting Exhaust Valve
卡箍式
Clamp Type

WH-5103SX

调节呼吸阀 Adjusting Breathing Valve

功能和特性 Function and feature

- 该阀门应用于压力容器式管路系统上；
- 调节呼吸阀具备两种功能，当压力高于设定压力(标准1BAR)时可以排气，反之关闭，当管路系统中产生真空(标准-0.1BAR)时阀门负压自动打开，保证设备和相关仪表的安全保护作用，同时也可以满足于各种生产工艺需求，进行正压调节之所需压力，该阀门不锈钢材质，卫生设计，满足于各种食品加工，啤酒，饮料以及制药等各种工业领域。
- The valve is used in pressure vessel piping systems.
- Breathing valve has two functions, when the pressure is higher than the set pressure (standard 1 BAR) can exhaust, whereas closed, while vacuum piping system (standard -0.1 BAR) negative pressure automatically open the valve, ensure the safety of the related instrument and equipment protection, at the same time can also meet the demand in all kinds of production process, which can adjust the positive pressure of the required pressure, the valve in stainless steel material, health design, content with a variety of food processing, beer, beverage and pharmaceutical industries.

技术参数 Technical parameter

- 接口：快装，卡箍
- 压力：0.1-0.25MPa等
- 温度：-30°C+150°C
- 工作介质：气体
- 手动式
- 无刻度压力线
- 内部设计压力：由弹簧控制
- Connection: Quick install, Clamp
- Pressure: 0.1-0.25MPa etc
- Temperature: -30°C+150°C
- Working medium: Gas
- Manual type
- Unscaled pressure line
- Internal design pressure: Controlled by spring



WH-5103SX
调节呼吸阀
Adjusting Breathing Valve PVRV
卡箍式
Clamp Type

WH-5105

排气阀 Exhaust Valve



WH-5105
排气阀
Exhaust Valve
NPT1/4"

调节范围Adjusting Range: 0.1Mpa



WH-5105MN
迷你排气阀
Mini Exhaust Valve



WH-5105M
外丝排气阀
Exhaust Valve Male Screw



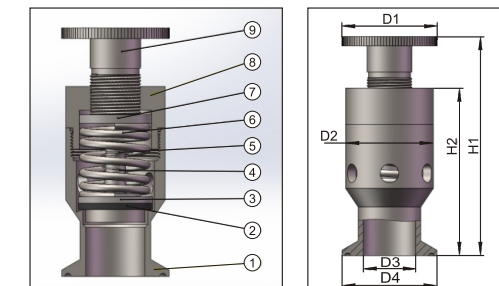
WH-5102H
呼吸阀
Breathing Valve

螺纹式
Thread Type

No.	名称 Name	材质 Material
1	阀体 Valve body	SS304
2	密封垫 Sealing gasket	EPDM
3	阀芯 Valve element	SS304
4	负压小弹簧 Negative pressure small spring	SS304
5	卡簧 Circlip	SS304
6	正压弹簧 Positive pressure spring	SS304
7	垫片 Spacer	SS304
8	螺盖 Blind nut	SS304
9	调节杆 Adjusting rod	SS304

尺寸 Size	D1	D2	D3	D4	H1	H2
1.5"	φ51	φ47	φ29	φ50.5	115	90
2"	φ51	φ47	φ29	φ64	115	90

WH-5103SX



WH-5104

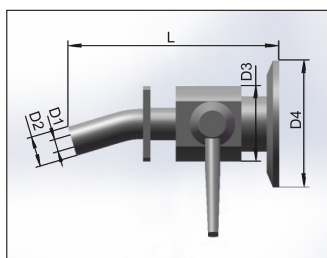
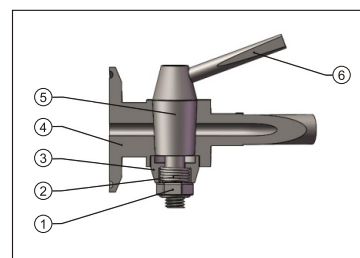
取样阀 Sampling Valve

功能和特性 Function and feature

- 应用：卫生级设计，直通式口径，内无橡胶，锥度密封，主要用于容器设备和管道里面的物料样品采集，也可安装在罐设备的最低点用来排泄残留液。适用于啤酒，饮料，容器设备取样。
- 开关原理：手柄上下关闭，取样口中心位置是开启。此时阀门被取样时，手柄开启到取样口中心位置内部口径直通，往上下此时阀门被关闭。
- 出口凹槽用处：挂式链接取样消泡器，链接二氧化碳测量仪，等。
- Application: sanitary design, straight caliber, no rubber inside, Taper seal, It is mainly used for the collection of material samples in container equipment and pipelines, and can also be installed at the lowest point of tank equipment to drain residual liquid. Suitable for sampling of beer, beverage, container equipment.
- Switch principle: The handle is closed up and down, and the central position of sampling port is open. At this time, when the valve is sampled, the handle is opened to the center of the sampling port, and the internal diameter is straight through. When the valve is up and down, the valve is closed.
- Outlet groove use: hanging connection sampling defoamer, connection CO₂ tester etc.

技术参数 Technical parameter

- 接口：卡箍
- 最高工作压力：0.3MPa
- 工作介质：液体气体
- 工作温度：常温
- 密封材质：SS304
- 手动式开关
- 单柄手竿
- Connection: Clamp
- Maximum working pressure: 0.3MPa
- Working medium: Liquid gas
- Working temperature: Normal temperature
- Seal material: SS304
- Manual switch
- A single handle pole



No.	名称 Name	材质 Material
1	螺母 Screw nut	SS304
2	芯盖 Core cover	SS304
3	弹簧 Spring	SS304
4	阀体 Valve body	SS304
5	阀芯 Valve element	SS304
6	手柄 Handle	SS304

尺寸 Size	D1	D2	D3	D4	H
1.5"	5	11.4	30	50.5	83
2"	5	11.4	30	64	83



WH-5104A
卫生级取样阀
Sanitary Grade Sampling Valve
旋塞式
Cock Type

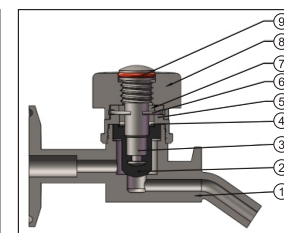
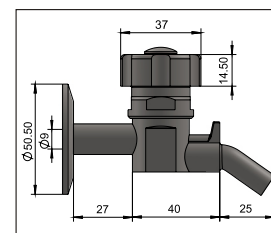


功能和特性 Function and feature

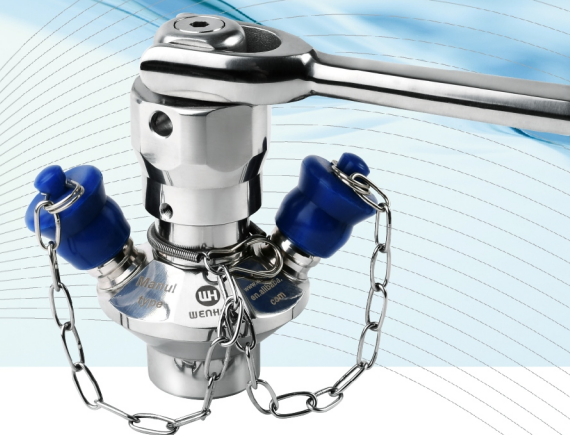
- 采用EPDM伸缩，密封，适用于啤酒、饮料的容器设备取样。
- Adopt EPDM Retractable, sealed, suitable for sampling of beer, beverage, container equipment.



WH-5104B
不锈钢取样阀
Stainless Steel Sampling Valve
螺旋式
Spiral Type



No.	名称 Name	材质 Material
1	阀体 Valve body	SS304
2	密封垫 Sealing gasket	EPDM
3	阀芯 Valve element	SS304
4	销子 Pin	SS304
5	螺母 Screw nut	SS304
6	卡簧 Circlip	SS304
7	隔套 Spacer bush	SS304
8	开关圆柄 Switch round handle	SS304
9	密封圈 Sealing gasket	MQ



WH-5104BK
无菌取样阀
Sterile Sampling Valve
八面式
Octahedral Type



WH-5104CL
无菌取样阀
Aseptic Sampling Valve
螺纹式
Thread Type



WH-5104D5
单头取样阀
Aseptic Sampling Valve
手轮手柄



WH-5104D5ST
无菌取样阀
Aseptic Sampling Valve
手轮手柄



WH-5104

取样阀 Sampling Valve

功能和特性 Function and feature

卫生级设计，三通口径，内有橡胶密封，一头冲洗该无菌取样阀每次取样前和取样阀后进行杀菌，开启阀门，取样通过开关手柄按指示标志进行旋钮开启阀门。关闭阀门，消毒通过相反步骤，内置螺旋关闭阀门，保存内间通道开启，用于消毒，消毒后用螺母二头拧紧，二头螺纹可以链接充气软管接头和消沫器。适用于啤酒、饮料、容器设备取样。

Sanitary design, Three-way caliber with rubber seals inside and flushing at one end. The aseptic sampling valve is sterilized before and after each sampling. The valve is opened, and sampling is performed through the switch knob according to the indication mark to open the valve. Close the valve and sterilize it through the opposite steps. A screw is built in to close the valve, and the internal channel is opened for disinfection. After disinfection, screw the two ends of the nut, which can be connected with the inflatable hose connector and the defoamer. It is suitable for sampling of beer, beverage, container equipment.

应用:

它广泛应用于无菌条件下从罐体或管道系统中取样，并可在每次取样之前和之后进行杀菌处理。

优点:

- 可用蒸汽或酒精进行原位消毒;
- 物料直接用隔膜来密封;
- 取样典型，重复性好;
- 杜绝二次污染，大批取样，微量取样均可。

Application:

It is widely used for sampling from tanks or pipeline systems under aseptic conditions, and can be sterilized before and after each sampling.

Advantage:

- Steam or alcohol can be used for in-situ disinfection
- The material is directly sealed with a diaphragm
- Typical sampling, good repeatability
- Prevent secondary pollution, both for mass sampling and micro sampling

技术参数 Technical parameter

- 接口: 快装卡箍
- 压力: 0.5MPa
- 工作压力(阀关闭): 6bar
- 杀菌温度: 121°C~134°C
- 工作介质: 液体气体
- 手动式开关
- 螺纹提升开关
- Connection: Quick installation clamp
- Pressure: 0.5MPa
- Working pressure(Valve closed): 6bar
- Sterilization temperature: 121°C~134°C
- Working medium: Liquid gas.
- Manual switch
- Thread lift switch

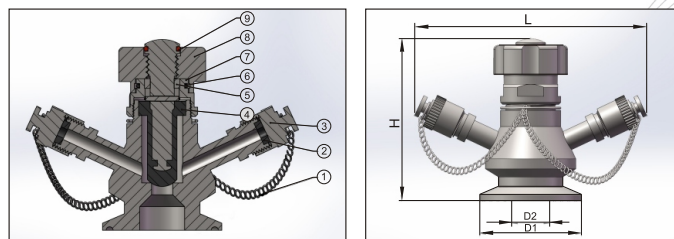


WH-5104C
无菌取样阀
Sterile Sampling Valve
螺旋式
Spiral Type



WH-5104CK
无菌取样阀
Sterile Sampling Valve
拉杆式
Pull Rod Type

WH-5104C



No.	名称 Name	材质 Material
1	阀体 Valve body	SS304
2	密封垫 Sealing gasket	EPDM
3	螺盖 Screw cover	SS304
4	密封胶套 Sealant sleeve	EPDM
5	垫圈 Washer	SS304
6	卡簧 Circlip	SS304
7	螺母 Screw nut	SS304
8	开关圆柄 Switch round handle	SS304
9	密封圈 Sealing gasket	EPDM

尺寸 Size	D1	D2	L	H
1.5"	50.5	19	112	80

WH-5101D3 取样阀
Sampling valve

功能和特性 Function and feature

- 该阀门应用于容器式管路系统上;
- 手动取样阀是用于容器内介质采样的阀门，抽出介质做检测里面的成分，该阀门采用卫生级设计，材质SUS304 密封用于PTFE。外螺纹链接接口，采用其他型号需时定制，出水口可以链接软管冲气作用。同时也可以满足于各种行业生产需求，适用于各种食品加工，啤酒，饮料以及制药等各种工业领域。
- The valve is used in container piping systems.

Manual sampling valve is used for medium sampling in the container, and the medium is extracted to test the composition inside. The valve is designed with sanitary grade and sealed with material SUS304 for PTFE. External thread connecting port, adopt other models need to be customized. The outlet can be connected to the hose for pneumatic action. At the same time, it can meet the production needs of various industries, suitable for a variety of food processing, beer, beverage and pharmaceutical industries.



WH-5104D1
取样阀
Sampling Valve
螺旋式
Spiral Type



WH-5104D2
取样阀
Sampling Valve
螺旋式
Spiral Type



WH-5104D3
取样阀
Sampling Valve
螺旋式
Spiral Type



WH-5104D4
取样阀
Sampling Valve
螺旋式
Spiral Type

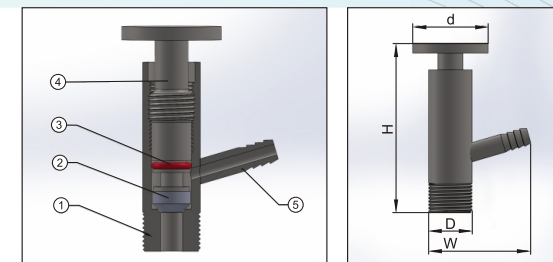


WH-5104DZT
椭圆手柄取样阀
Sampling Valve
螺旋式
Spiral Type

技术参数 Technical parameter

- 链接方式: 螺纹 - Connection mode: Thread
- 温度: -10°C+150°C - Temperature: -10°C+150°C
- 出水口: 软管接头 φ 11 - Water outlet: Hose connector φ 11

- 采用EPDM伸缩，密封，适用于啤酒、饮料的容器设备取样。
- Adopt EPDM Retractable, sealed, suitable for sampling of beer, beverage, container equipment.



No.	名称 Name	材质 Material
1	阀体 Valve body	SS304
2	阀芯 Valve element	PTFE
3	O密封圈 O Ring	SI
4	阀杆 Valve rod	SS304
5	软管接头 Hose connector	SS304

尺寸 Size	W	D	d	H
G3/4	101	26	44	62

WH-5107

压力阀 Pressure Valve

功能和特性 Function and feature

- 该阀门应用于压力容器式管路系统上；
- 调节单向排气阀保护容器压力过高防爆作用，当压力高于设定压力(标准1BAR)时可以排气，反之关闭，调节杆上压力刻度，所需压力按刻度上调整，出口处排放气体可以回收及排放室外，玻璃罩加水能看到发酵效果，减少染菌。该阀门使用方便，刻度准确，同时也可以满足于各种生产工艺需求，适用于各种食品加工，啤酒，饮料以及制药等各种工业领域。
- The valve is used in pressure vessel piping system.
- Regulating one-way exhaust valve protect the container from excessive pressure and explosion-proof effect. When the pressure is higher than the set pressure(standard 1BAR),it can exhausted. Otherwise it is closed. The regulating rod is marked with pressure scale, and the required pressure is adjusted according to the scale. The exhaust gas at the outlet can be recycled and discharged outside. The valve is easy to use with accurate scale, and the fermentation effect can be seen by adding water to the glass cover. It can minimize contamination. Meantime, it can meet all kinds of production process needs, suitable for all kinds of food processing, beer, beverage and pharmaceutical industries.

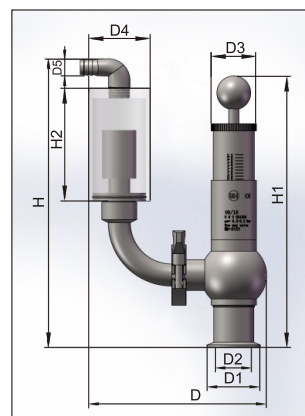
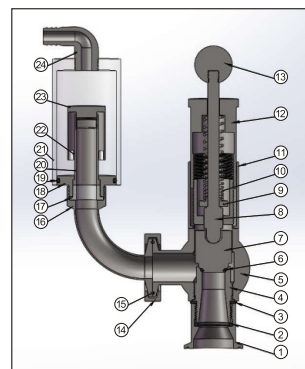
技术参数 Technical parameter

- 工作压力：0.2-2.2bar
- 压力调节范围：1.1-3.2bar, 0-3bar
- Working pressure: 0.2-2.2bar,
- Pressure adjustment range: 1.1-3.2bar, 0-3bar

WH-5107A

No.	名称 Name	材质 Material
1	卡盘 Chuck	SS304
2	O型圈 O Ring	EPDM
3	密封垫 Sealing gasket	EPDM
4	阀座 Valve seat	SS304
5	阀体 Valve body	SS304
6	O型圈 O Ring	EPDM
7	阀芯 Valve element	SS304
8	顶杆 Roof bar	SS304
9	弹簧座 Spring seat	SS304
10	弹簧 Spring	SS304
11	隔套 Spacer bush	SS304
12	调节杆 Adjusting lever (刻度Scale)	SS304
13	拉球 Pull the ball	SS304
14	卡箍 Clamp	SS304
15	密封垫 Sealing gasket	EPDM
16	弯头 Elbow	SS304
17	体座 Body seat	SS304
18	体芯 The body of the core	SS304
19	O型圈 O Ring	EPDM
20	通气套 Ventilation sleeve	SS304
21	玻璃罩 Glass cover	PMMA
22	出气套 Air outlet	PTFE
23	压盖 Gland	SS304
24	90°软管接头 90° Degree hose connector	SS304

尺寸 Size	D1	D2	D3	D4	D5	D	H1	H	H2
1.5"	50.5	35	40	60	15	160	256	272	102



WH-5107A

压力阀
Pressure Valve

水封式
Water Sealed



WH-5107B

压力阀
Pressure Valve

调节式
Adjustable Type

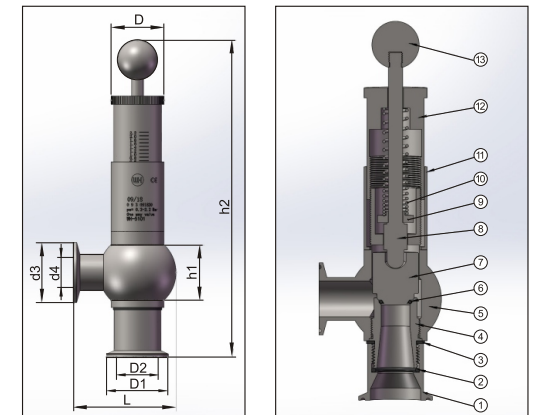


功能和特性 Function and feature

- 该阀门应用于压力容器式管路系统上；
- 调节单向排气阀保护容器压力过高防爆作用，当压力高于设定压力(标准1BAR)时可以排气，反之关闭，调节杆上压力刻度，所需压力按刻度上调整，出口处排放气体可以回收及排放室外。该阀门使用方便，刻度准确，同时也可以满足于各种生产工艺需求，适用于各种食品加工，啤酒，饮料以及制药等各种工业领域。
- The valve is used in pressure vessel piping systems.
- Used in adjusting one-way exhaust valve high pressure explosion-proof protection function when the pressure is higher than the set pressure can exhaust (standard 1 bar), whereas closed, The regulating rod is marked with a pressure scale, and the required pressure is adjusted according to the scale. The exhaust gas at the outlet can be recovered and discharged to the outdoor, the valve is easy to use, accurate calibration and at the same time can also meet the demand in all kinds of production technology, suitable for all kinds of food processing, beer, beverage and pharmaceutical and other industries.

技术参数 Technical parameter

- 工作压力：0.2-2.2bar
- 压力调节范围：1.1-3.2bar
- Working pressure: 0.2-2.2bar,
- Pressure adjustment range: 1.1-3.2bar



WH-5107B

No.	名称 Name	材质 Material
1	卡盘 Chuck	SS304
2	O型圈 O Ring	EPDM
3	密封垫 Sealing gasket	SS304
4	阀座 Valve seat	SS304
5	阀体 Valve body	SS304
6	O型圈 O Ring	EPDM
7	阀芯 Valve element	SS304
8	拉杆 Pull rod	SS304
9	弹簧座 Spring seat	SS304
10	弹簧 Spring	SS304
11	隔套 Spacer bush	EPDM
12	调节杆 Adjusting lever	SS304
13	杆球 Rod ball	SS304

D	H1	H2	D3	D4	D2	D1	L
44	46	264	51	25	35	51	85

WH-5107C

压力阀
Pressure Valve

无刻度
No Scale



WH-5107D

压力真空组合阀
Pressure Vacuum Combination Valve

调节式
Adjustable Type



WH-5107BQD

气动压力阀
Pneumatic Pressure Valve



WH-5106

消沫器/ 取样口充气头

Sanitary Grade Foam Eliminator/Sampling port inflation head



WH-5106A

卫生级消沫器
Sanitary Grade Foam Eliminator

挂式
Hanging Type

管径Pipe Diameter: ϕ 4mm



WH-5106B

卫生级消沫器
Sanitary Grade Foam Eliminator

螺旋式
Spiral Type

管径Pipe Diameter: ϕ 4mm



WH-5106C

取样口充气头
Sampling port inflation head

WH-5108

CO₂ 测量仪 CO₂ Gauge



WH-5108

CO₂ 测量仪
CO₂ Gauge

WH-5109

中心阀 Center Valve



WH-5109

中心阀
Center Valve

轴向阀
Racking Arm Valve



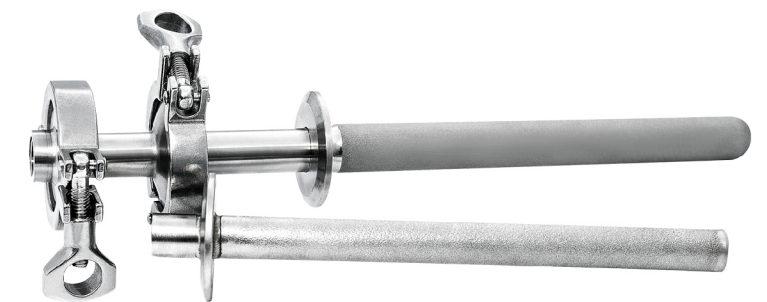
WH-6031

过滤器
Strainer



WH-5101QXZ

调压阀清洗罩
Pressure Regulating Valve
Cleaning Cover



WH-6033

钛棒
Carbonation Stone

阀 Valves



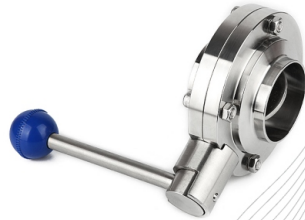
■ WH-6034
角座阀
Angle seat valve



■ WH-6213
止回阀
Check valve



■ WH-6213A
止回阀
Check valve



■ WH-6212
拉杆式蝶阀
Pull rod butterfly valve



■ WH-6212LG
拉杆式快装蝶阀
Tri-clamp butterfly valve
with pull handle



■ WH-6212LGLW
螺纹蝶阀
Thread butterfly valve
with pull handle



■ WH-6215
鸭嘴蝶阀
Duckbill butterfly valve



■ WH-6215SLY
塑料鸭嘴蝶阀
Tri-clamp plastic squeeze
trigger butterfly valve



■ WH-6204
快装隔膜阀
Quick installation
diaphragm valve



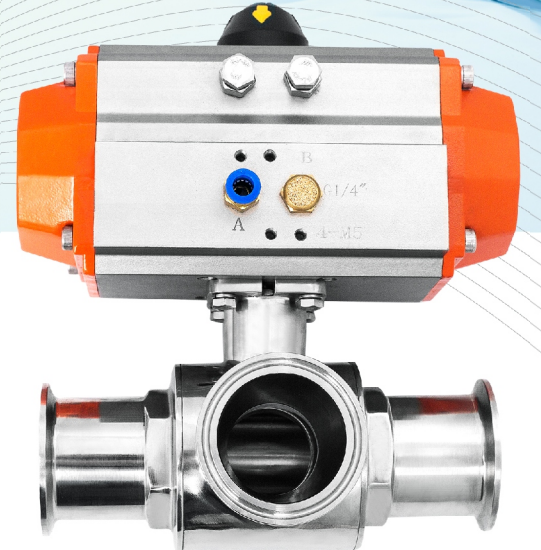
■ WH-6201
盖米隔膜阀
GEMU diaphragm valve



■ WH-62041
快装普通U型三通隔膜阀
Clamp Ordinary U-tee
Diaphragm Valve



■ WH-6205
气动球阀
Pneumatic ball valve



■ WH-6032
气动球阀 (三通式)
Pneumatic ball valve
(three-way type)



■ WH-6202
球阀
Ball valve



■ WH-6211
三通球阀
Three way ball valve



■ WH-6203
三片式快装球阀
Three-piece quick
installation ball valve



■ WH-7206KS
卡套球阀 (仿美式)
Tube end ball valve



■ WH-7206NS
内丝小球阀 (仿美式)
Female screw ball valve



■ WH-7206MQ
迷你球阀 (仿美式)
Mini ball valve

配件 Accessories



- WH-6207 快装视镜
Clamp sight glass
- WH-6208 焊接视镜
Weld sight glass
- WH-6210 活接视镜
Union sight glass
- WH-6209 内螺纹清洗球
Female thread cleaning ball
- WH-6209SK 双快装清洗球
Double clamp cleaning ball
- WH-6214 液位计
Liquid level meter
- WH-6301 花园水嘴
Garden faucet
- WH-6401 啤酒分配器
Beer dispenser
- WH-6402 酒头
Beer Faucet
- 隔膜压力表 (轴向)
Rear Entry gauge
- 隔膜压力表 (径向)
Diaphragm pressure gauge radial
- 压力表
Pressure gauge
- WH-7001 压力表快装接头
Tri-clamp connector for pressure Gauge
- 温度表
Thermometer

人孔 Manway



- WH-BYA 圆形压力人孔
Round Outward Manway With Pressure
- WH-BYB-C 圆型常压糖化人孔
Round Manway With Sight Glass
- WH-BYC-B 内开式带斜边椭圆人孔
Oval Inward Manway With Bevel Edge
- WH-BYB 圆型常压人孔
Round Outward Manway
- WH-BYC 内开式椭圆人孔
Oval Inward Manway
- WH-BYD 圆型带视镜压力人孔
Round Outward Manway with Sight Glass
- WH-BYF 全通视镜压力人孔
Pressure Manhole With Full View Sight Glass
- WH-BYE 双锁方型人孔
Rectangular Manway With Two Intersectant Arms
- WH-BYF 全通视镜压力人孔
Pressure Manhole With Full View Sight Glass

管件 Pipes



- WH-7205DG 带底盘管支架
Pipe holder with chassis
- WH-7205HG 管支架
Pipe holder
- WH-7202KG 卡箍
Clamp
- WH-6206 活接头
Union
- WH-6206SMS SMS活接头 (国际)
SMS Union
- WH-6206DIN DIN活接头 (德标11851)
DIN11851 Union
- WH-6206RJT RJT活接头
RJT Union
- WH-7202MB 快装盲板
Clamp solid end cap
- WH-7202KZS 扩展式接头
Tri-clamp roll-on ferrule
- WH-7202LJ 快装接头
Tri-clamp ferrule
- WH-7202KD 快装密封垫片
Clamp gasket
- WH-7203LNS 快装六角内丝接头
Female thread hex ferrule
- WH-7203LWS 快装六角外丝接头
Male thread hex ferrule
- WH-7203WS 快装外丝接头
Male thread ferrule
- WH-7204WBJ 快装90°宝塔接头
Clamp barb hose adapter 90°
- WH-7204BTJ 快装宝塔接头
Clamp barb hose adapter
- WH-7201KDX 卫生级快装大小头
Concentric reducer to
- WH-7201HDX 焊接大小头
Concentric reducer butt weld
- WH-720KGD 快装过滤密封垫
Filter clamp gasket
- 不锈钢波纹管
Stainless steel flexible hose
- WH-7201YT 快装Y型三通
Tri-clamp Y type TEE
- WH-72013T 快装三通
Tri-clamp TEE
- WH-72014T 快装四通
Tri-clamp Cross
- WH-7201KUT 卫生级U型三通
U type TEE
- WH-7202W 卫生级弯头
Elbow

工程实例
Project Example



我们的目标
超越客户的期待

It is our slogan
Give us a chance
We will exceed your expectations



精致 · 卫生 · 优质