



D6P (HD Fixed Dome Camera)



Product Features

- Highest Resolution is up to 1920 × 1080 @ 25 fps, and Real-time Images Output.
- Smooth stream setting to adapt to different Requirements for Image Quality and Fluency in different Scenarios
- Support Built-in MIC, the Recognition Range is 5~7m
- Support OSD Color Selection
- Support 3D Digital Noise Reduction and Support Digital Wide Dynamics.
- Support low Bit Rate, low Latency, ROI Region of Interest Enhanced Encoding, Support Smart265 Encoding
- Support efficient array of infrared lamps with an illumination distance of up to 30 m to prevent nighttime infrared overexposure
- Support Smart IR, ICR infrared filter type automatic switching, real Day and Night monitoring
- Support PoE power supply
- Support Email, FTP, NTP server testing
- Support 10M/100M adaptive network port
- Support security authentication such as HTTPS and supports the creation of certificates.
- Initial device boot up requires password setting to ensure password security
- Support user login lock mechanism and password complexity notice.

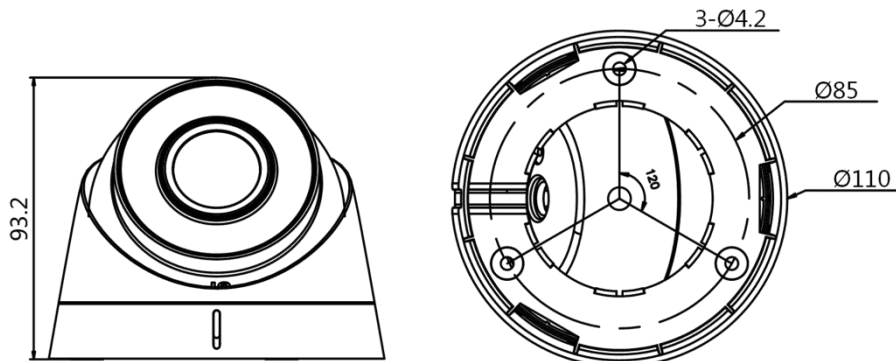


Technical Parameters

Model	D6P
Basic	
Image Sensor	2 million 1 / 2.7 " Progressive Scan CMOS
Lens	2.8mm, horizontal field of view: 114.8 ° (4 mm , 6 mm, 8 mm lens optional)
Angle Adjustment	Pan: 0°~360°; Tilt: 0°~ 75°; Rotate: 0°~360°
Minimum Illumination	Color: 0.01Lux @ (F1.2, AGC ON) Black and white: 0 Lux with IR
Shutter Time	1/3 s to 1/100,000 s
Day & Night	ICR infrared filter
WDR	Digital wide dynamic Range
DNR	3D DNR
BLC	Support
Infrared Function	30m infrared, support SMART IR function
Audio and Video	
Video Coding Standard	H.265 Main Profile / H.264 (Baseline Profile, Main Profile, High Profile) / MJPEG
Audio Coding Standard	16-64Kbps
Maximum Resolution	1920× 1080
Video Frame Rate	50Hz : 25 fps @1920 × 1080 , 1280×960, 1280×720
Video Bit Rate	32 Kbps to 8 Mbps
Image Setting	Brightness, contrast, saturation, sharpness, etc. can be set through the client and browser.
BLC	Support, selectable area
OSD	Time, Date, Subtitles
Image Flip	0-270degree rotation, up and down, left and right flip
Network Features	
Network Protocol	TCP/IP, ICMP, HTTP, HTTPS, FTP, DHCP, DNS, DDNS, RTP, RTSP, RTCP, NTP, UPnP, SMTP, IGMP, 802.1X, QoS, IPv6, UDP, Bonjour
Interconnection Standard	ONVIF
System Functions	
Safety	Multi-level user management, password protection
Intelligent Alarm	Motion detection, occlusion alarm, illegal login
General Function	Three streams, heartbeat, mirroring, password protection, video mask, watermarking, IP address filtering
External Port	
Network Port	1 RJ45 10 M / 100 M adaptive Ethernet port
Power Port	1 DC12 V power connector

Operating environment	
Working Temperature and Humidity	-30°C~60°C, humidity less than 95% (no condensation)
Power Supply	DC12 V ± 25 % / PoE (802.3af)
Power Consumption	Non-PoE: 4W Max PoE: 5W Max
Physical Characteristics	
Weight	Device: 350 g Package: 500 g
Physical Dimensions	Φ110 × 93.2 mm
Installation Method	Ceiling installation
Product Accessories	
Standard	Installation CD, Quick Installation Guide
Remarks	*An additional DC12V power supply is required

Dimensions



Unit : mm