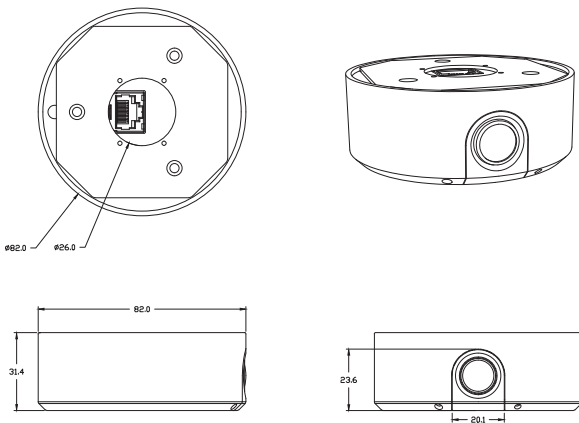


AI Precision Sensor

PC8-A



Product Size



Unit: mm

Product Features

200 Megapixel, Support POE

Support for Clientele Group Analysis, Local device De-duplication

Data Security, Close-Loop Local Detection and Comparison Process

Compact size, Support Ceiling installation

Technical Parameters

Accurate People Counter

| | |
|-----------------------|---|
| Sensor | 200 Megapixel 1/2.8" Progressive Scan Image Sensor |
| Lens | 12mm Fixed focus F=1.6 FOV-H:33°, Optional Lens: 6、8、16mm |
| Min. Illumination | Color:0.002Lux @ (F1.6, AGC ON) |
| Shutter | 1-1/30000s |
| Signal to Noise Ratio | ≥57dB |
| White Balance | Automate |
| Gain Control | Automate |
| DNR | 3D-DNR |
| WDR | Support |

Video

| | |
|---------------------|---|
| Coding Format | H.264 Base Line Profile / Main Profile / High Profile |
| Resolution | 1920×1080 |
| Video Frame Rate | 1~25fps |
| Video Bitrate | 64Kbps~16Mbps |
| Muti-Stream | Dual Stream |
| Subtitle | Time, Date, Subtitles Display, Support Configuration |
| Image configuration | Configurable Brightness, Contrast, Saturation, Sharpness, Mirroring |

Network

| | |
|------------------|--------------------------------|
| Network Protocol | TCP/IP, ICMP, HTTP, DHCP, RTSP |
|------------------|--------------------------------|

System

| | |
|--------------------|--|
| System Recovery | Support |
| Heartbeat Function | Support |
| Security | Multi-level user management with password protection |

People Counting

| | |
|-------------------|-------------------------|
| Accuracy | ≥95% (Test Environment) |
| Library Storage | 30,000 Pics |
| Detection Density | 30 Pics |

External Interface

| | |
|-------------------|----------------------------------|
| Network Interface | 1×RJ45, 10Base-T/100Base-TX, POE |
| Power | Non |

Environment

| | |
|--------------|---------------------------|
| Temperature | -25°C~55°C |
| Humidity | 10%~85% (No Condensation) |
| Power Supply | POE |
| Wastage | ≤5W |

Physical

| | |
|--------------|-----------------------------------|
| Weight | Device≤0.15kg, With Packing≤0.4kg |
| Dimensions | Diameter 82 x 31.4 mm |
| Installation | Ceiling Installation |

Product features and technical specifications are subject to change without further notice / Version no. 01/2022 / All rights reserved