

360° High-Speed Dome 23x Optical Zoom Camera

O1P

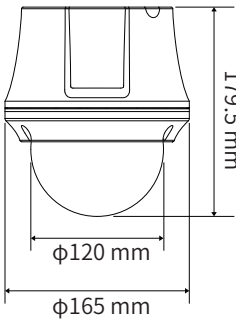
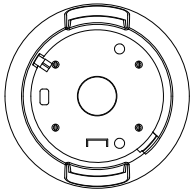


Indoor Ceiling Installation

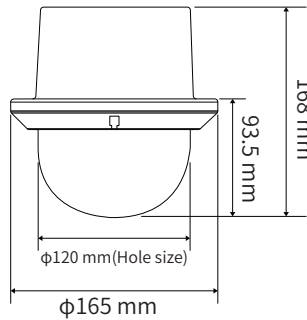
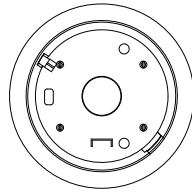


Indoor Embedded Installation

Product Size



Ceiling Installation



Embedded Installation

Product Features

Support up to 1920 × 1080P@30fps HD resolution.

Support H.265-HEVC (High Efficiency Video Coding) Save storage space.

Support Ultra low-illumination, 0.005Lux/F1.6(Color), 0.001Lux/F1.6(Monochrome).

Supports 23 times optical zoom, 16 times digital zoom.

Support Triple stream technology, each stream can be independently configured resolution and frame rate.

Support IDS, Crossing Monitoring, Motion detection etc. Smart detection function.

Support ANR (Automatic Network Replenishment) to make sure the video is not lost, paired with Smart NVR to achieved the video Secondary Intelligent Retrieval, Analysis, Concentrated video.

Support 3D DNR, HLC, EIS.

Support WDR to 120dB, suitable with backlit environment monitoring.

PTZ : HOR:0°-360°, vertical 0°-90°(AUTO FLIP).

Supports 300 presets and 8 patrol scans.

Support 3D positioning, can be selected through the mouse box to achieve the target fast positioning and capture.

Supports timing capture and event capture functions.

Supports Regional Exposure and Regional Focus functions.

Supports central mirroring.

Supports timed tasks, one-button Recording position, one-button Patrol function.

Support 1 channel audio input and 1 channel audio output.

Built-in 1 alarm input and 1 alarm output, support alarm linkage function.

Lightning protection, anti-surge, anti-voltage spike, IP66 protection grade.

Technical Parameters

Basic parameter

Image Sensor	1/2.8" progressive scan CMOS
Minimum Illumination	Color: 0.005Lux @(F1.6, AGC ON) Black and white: 0.001Lux @(F1.6, AGC ON)
Video resolution & Frame rate	The mainstream: 50Hz: 25fps (1920 × 1080, 1280 × 960, 1280 × 720), 50fps (1280 × 960, 1280 × 720); 60Hz: 30fps(1920 × 1080, 1280 × 960, 1280 × 720), 60fps (1280 × 960, 1280 × 720); Sub-code stream: 50Hz:25fps(704 × 576, 640 × 480, 352 × 288); 60Hz:30fps(704 × 480, 640 × 480, 352 × 240); The third code stream: 50Hz:25fps (1920 × 1080, 1280 × 960, 1280 × 720, 704 × 576, 640 × 480, 352 × 288); 60Hz: 30fps(1920 × 1080, 1280 × 960, 1280 × 720, 704 × 480, 640 × 480, 352 × 240);
Video Compression	H.265/H.264/MJPEG
Audio Compression	G.711alaw/G.711ulaw/G.722.1/G.726/MP2L2/PCM
White Balance	Auto/Manual/ATW (Auto-tracking White Balance)/Indoor/Outdoor/Fluorescent Lamp/Sodium Lamp
Gain	Auto/Manual
SNR	> 52dB
3D DNR	Support
BLC	Support
Regional Exposure/Focus	Support
Shutter	1/1-1/30,000s
Day & Night	ICR color to black
Digital Zoom	16 times
Privacy Mask	Support up to 24 polygonal areas; Support a variety of colors available
Focus Mode	Automatic / manual / semi-automatic

Product features and technical specifications are subject to change without further notice / Version no. 01/2022 / All rights reserved

Technical Parameters

Lens

Focal Length	23 x optical zoom, F = 4.8-110mm
Zoom Speed	About 3.3 seconds (optical,W-T)
Horizontal Viewing Angle	57.6°(w) to 2.7°(t)
Working Distance	10 to 1500mm (wide - tele)
Aperture Range	F1.6-F3.5

Functions

Smart Detection	Face Detection, IDS, Crossing Monitoring, Enter detection, Leave detection, Object left detection, object removal detection, audio anomaly detection, movement detection, video occlusion detection
Smart Record	ANR (Automatic Network Replenishment), Dual-VCA
Smart Image Enhancement	120 dB Ultra-wide dynamic, fog transmission, glare suppression, electronic stabilization
Smart Coding	smart 265, smart 264, Low bitrate, ROI, SVC
Device abnormality Detection	Network cable disconnection, IP address conflict, memory full, memory error, illegal access
Horizontal/ Vertical Range	360° continuous rotation / 0°~90° (automatic flip)
Horizontal Speed	Horizontal PTZ Speed: 0.1°-160°/s, Support defined; Horizontal preset Speed: 160°/s
Vertical Speed	Vertical PTZ speed: 0.1°-120°/s, Support defined; Vertical Preset speed: 120°/s
3D Positioning	Support
Proportional Zoom	Support
Presets	300
Patrol	8 Patrols, each can add 32 presets
Pattern Scan	4 pattern scans, record time over 10 minutes for each scan
Power-Off Memory	Support
Park Action	Preset/Pattern Scan/Patrol Scan/Auto Scan/Tilt Scan/Random Scan/Frame Scan/Panorama Scan
PTZ Status Display	ON/OFF
Preset Freeze	Support
Time task	Preset position/pattern scan/cruise scan/automatic scan/vertical scan/random scan/frame scan/panoramic scan/ball machine restart/ball machine calibration/auxiliary output

Network

Network Protocol	IPv4/IPv6,HTTP,HTTPS,802.1x,Qos,FTP,SMTP,UPnP,SNMP,DNS,DDNS,
------------------	--

	NTP,RTSP,RTCP,RTP,TCP/IP,DHCP, PPPoE,Bonjour
Interconnection Standard	Support open API of software integration, support standard protocol (ONVIF, ISAPI), support and third-party management platform access, support GB/T28181 protocol
Internet Explorer	Support IE8+, Chrome31-44, Firefox30-51, Safari8.0-11
Preview Video Channel	Max: 20
User Permission	Multi-level user management and custom permissions, Max to 32 users, 3 levels by admin, operator and user
Safety	Password protection Authorized user name and password, and MAC address binding; HTTPS encryption; IEEE 802.1x network access control, IP address filtering

Ports

Power Supply	DC12V
Network	RJ45 net cable, Autoadaptation 10M/100M Network data
Audio Port	1×Line In, Audio peak :2-2.4V[P-P], input impedance :1KΩ±10%; 1×Line Out, Linear level, impedance :600Ω
Alarm	1×Line Alarm In, 1×Line Alarm Out, Support Alarm linkage/ cruise scan/pattern scan /SD card recording/Alarm output/mail/ upload center/upload FTP
SD Card	Built-in Micro SD card slot, Support Micro SD/Micro SDHC/Micro SDXC card (UP to 256G)

General

Power Consumption	18W max
Working Temperature	-30°C-65°C (Inside) /-10°C-50°C (Outside)
Environment Humidity	< 90%
Protection level	IP66 (outdoor);GB/T17626.5 Level 4 standard 4000V Lightning protection, anti-surge, anti-surge
Dimensions	Φ179.4×239.5mm(Outdoor), Φ165×179.5mm(Indoor Ceiling installation), Φ165×168mm(Indoor embedded installation)
Weight	2Kg

Product features and technical specifications are subject to change without further notice / Version no. 01/2022 / All rights reserved