



# CozyPool Shine

Mini Pool Heat Pump



## FOSHAN UWOTEC NEW ENERGY CO., LTD.

Address: 6# Bihu Road, Hecun, Lishui Town, Nanhai, Foshan,  
Guangdong Province, CHINA.

Phone: +86 757 8566 0666 ext. 8513

Email: [info@uwo-heatpump.com](mailto:info@uwo-heatpump.com)

Website: [www.uwo-heatpump.com](http://www.uwo-heatpump.com)



## Design for any Kind of Above-ground Swimming Pools



## Multi-Colors Optional

CozyPool Shine can be made in a variety of colors based on your preferences. Its versatile style makes it a work of art and a fusion in your garden.



## Easy Installation

Designed for small above-ground pools at home, all the tedious installation steps have been eliminated. CozyPool Shine is portable and can be easily installed with flexible hoses by a user without requiring any skills of engineering capability.



## Plug & Play

After installation, plug in and it's ready to go! The RCD is adopted as a protector for CozyPool Shine to prevent the residual current from causing damage, which greatly enhances the safety level.



**UNIQUE DESIGN  
COMBINED WITH  
INJECTION MOLD**

**SMALL SIZE  
BUT IS  
MORE POWERFUL**

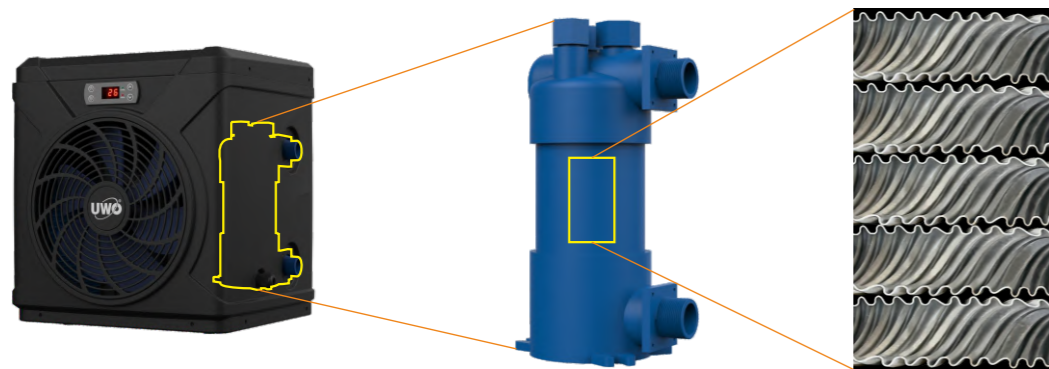
## Simple Control

A simple and easy-to-use controller is equipped for CozyPool Shine. Treated with water-resistant processing, the controller doesn't need a mounted protect case and has IPX4 waterproof rating.



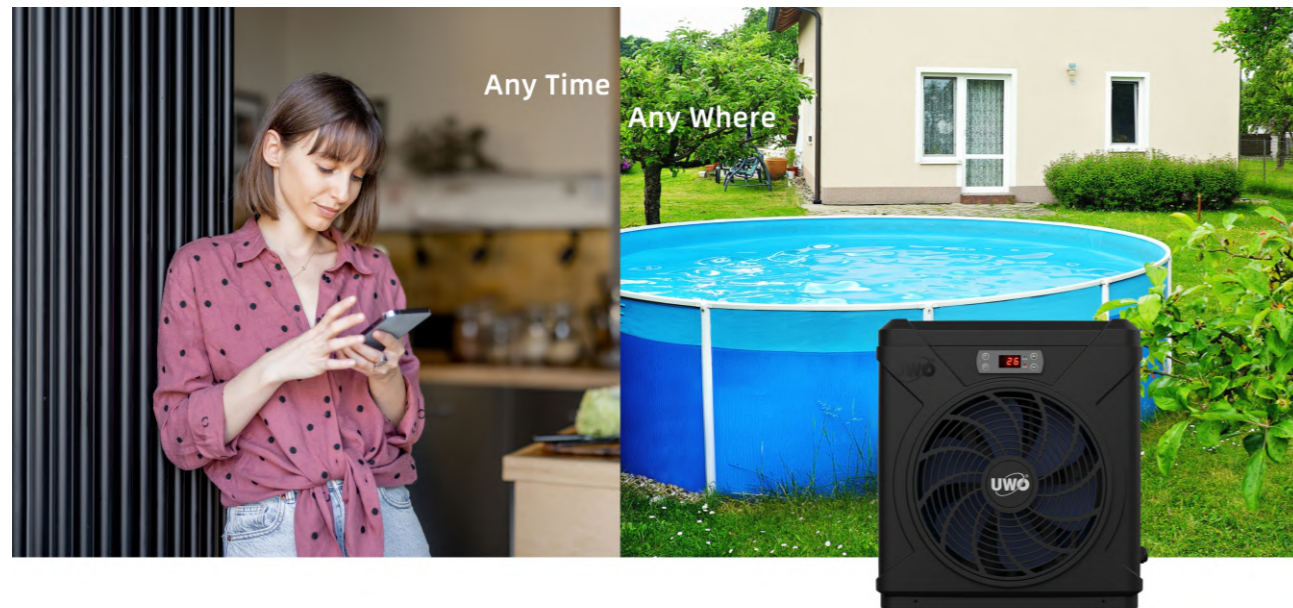
## Patent Spiral Design

The titanium heat exchanger is designed with patent spiral tube. Unlike the traditional smooth tube, the UWO spiral tube can greatly increase the heat exchanging efficiency in the water side and maximize the heating capacity.



## Smart APP Control

Handy control and monitor of the CozyPool Shine are available thanks to the equipped Wi-Fi and smart app. You can take full control of your swimming pool heat pump at any time and any where.



## Parameters

Factory Model No.	USP	30R3-CP	40R3-CP	50R3-CP
Advised Pool Volume	m <sup>3</sup>	5~15	8~18	10~22
<b>Performance Condition: Air Temp.: 27°C, Inlet / Outlet Water Temp.: 26°C / 28°C, Humidity 80%</b>				
Heating Capacity	kW	3.20	4.14	5.23
Power Consumption	kW	0.56	0.73	0.83
COP	W/W	5.71	5.67	6.30
<b>Performance Condition: Air Temp.: 15°C, Inlet Water Temp.: 26°C, Humidity 70%</b>				
Heating Capacity	kW	2.32	2.82	3.72
Power Consumption	kW	0.53	0.65	0.87
COP	W/W	4.37	4.34	4.27
Power Supply	/	220-240V~/50Hz		
Operating Air Temp.	°C	6~43 (without 4-way Valve - Heating Only)		
		-7~43 (with 4-way Valve - Heating & Cooling)		
Refrigerant	/	R32/R410A		
Water Connection	mm	32 or 38		
Noise Level (1m)	dB(A)	46	47	48
Advised Water Flow	m <sup>3</sup> /h	2.0	2.0	3.0
Water Pressure Drop	kPa	15	15	15
Net Dimension (LxWxH)	mm	416x387x433		

\*The above data are subject to modify based on continuous improvement without advance notice. Please refer to those on real unit, and thanks for your attention to the latest version.

