



ZHONGSHI GROUP CO., LTD

Company Profile

chris@zspetro.com





Company 公司简介 PROFILE

濮阳中石集团有限公司成立于1996年1月，隶属中原油田行业公司成员企业，是中石化集团物质装备总公司和中国石油化工股份有限公司物资装备部的一级网络成员单位。多年来公司一直致力于石油采油机械产品的研究和开发，已形成了从产品链到销售网络、服务网络非常完备的体系。

Puyang Zhongshi Group Co., Ltd. was established in January 1996. It is a member company of Zhongyuan Oilfield Industry Company. It is a first-level network member unit of Sinopec Material Equipment Corporation and China Petrochemical Corporation Material Equipment Department. For many years, the company has been committed to the research and development of petroleum extraction machinery products, and has formed a very complete system from product chain to sales network and service network.

集团是中国石化集团的下属改制企业。企业注册资金一亿三千万元，总部地处华北平原的河南省濮阳市，占地面积近60万平方米，建筑面积27万平方米，加工检测设备740多台套。集团下设9个分公司，7个产品研究室，员工499人，各类专业技术人员337人，高级职称83人，中级职称139人。主导产品包括：抽油机、抽油泵、井口（采油树）、固井附件、压力容器、振动筛、钻井固控设备、悬吊工具、电器、电机、钢结构及彩钢工程、压力管道、仪器仪表、空气炮、给煤机等系列产品。

集团为河南省高新技术企业、河南省最佳文明单位、省级企业技术中心企业，先后取得了ISO9000质量管理体系认证证书、环境管理体系认证证书、职业健康安全管理体系认证证书，取得抽油机、抽油泵、抽油光杆全国工业产品生产许可证证书，产品通过11AX、11E、6A、5CT、10D等多项API产品认证。

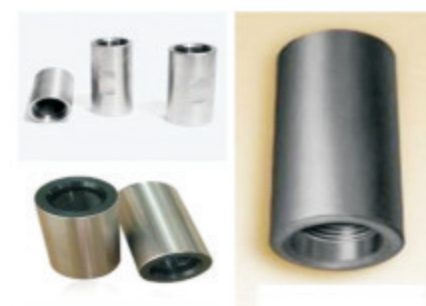
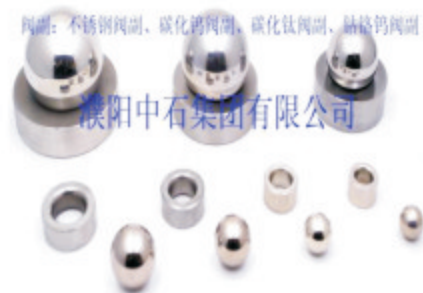
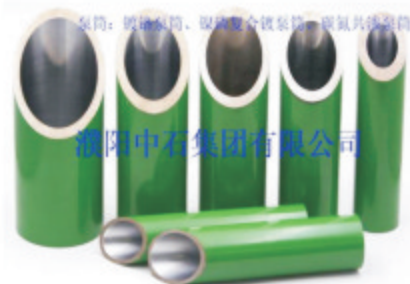
The group is a restructuring enterprise of Sinopec Group. The company has a registered capital of 60.83 million yuan and its headquarters is located in Puyang City, Henan Province in the North China Plain. It covers an area of nearly 600,000 square meters, with a construction area of 270,000 square meters, and more than 740 sets of processing and testing equipment. The group has 9 branches, 7 product research rooms, 499 employees, 337 various professional and technical personnel, 83 senior titles, and 139 intermediate titles. Leading products include: pumping units, pumps, wellheads (Christmas trees), cementing accessories, pressure vessels, vibrating screens, drilling solids control equipment, suspension tools, electrical appliances, motors, steel structures and color steel engineering, pressure pipelines, Instrumentation, air cannon, coal feeder and other products.

The group is a high-tech enterprise in Henan Province, the best civilized unit in Henan Province, and a provincial-level enterprise technology center enterprise. It has successively obtained ISO9000 quality management system certification, environmental management system certification, occupational health and safety management system certification, and oil pumping units, Oil pump, oil sucker polished rod national industrial product production license certificate, the product has passed 11AX, 11E, 6A, 5CT, 10D and other API product certifications.



集团下属9个分公司：1、(抽油泵)专业生产抽油泵、抽油杆、油管、接箍、光杆等。2、(抽油机)专业生产抽油机。3、(固井)专业生产套管头、浮箍、浮鞋、套管扶正器、水泥头等。4、(压力容器)专业生产振动筛、压力罐、循环罐、空气炮等。5、(井口阀门)专业生产井口阀门、压力表等。6、(电气)专业生产油田用电气设备。7、(彩钢)专业生产彩钢板、钢结构和彩钢房建筑设计安装等。8、外贸公司。9苏丹长河公司主要负责苏丹项目。

9 branch companies under the group: 1. (Sucker Pump) Specializing in the production of oil pumps, sucker rods, tubing, couplings, polished rods, etc. 2. (Pumping unit) Specializing in the production of pumping units. 3. (Cementing) Specializing in the production of casing heads, floating collars, floating shoes, casing centralizers, cement heads, etc. 4. (Pressure vessel) Specializing in the production of vibrating screens, pressure tanks, circulating tanks, air cannons, etc. 5. (Wellhead valves) Professional production of wellhead valves, pressure gauges, etc. 6. (Electrical) Specializing in the production of electrical equipment for oil fields. 7. (Color Steel) Specializing in the production of color steel plates, steel structures and the design and installation of color steel houses. 8. Foreign trade company. 9Sudan Changhe Company is mainly responsible for projects in Sudan.



公司拥有专用抽油

公司认证资质

Company certification



抽油机生产车间分为三块 > > >

The pumping unit production workshop is divided into three parts



1、濮阳中石工业园：主要生产国内各大油田用抽油机

Puyang Zhongshi Industrial Park: mainly produces pumping units for major domestic oilfields



2、内黄生产厂：主要生产出口和国内煤层气抽油机

Neihuang production plant: mainly produces export and domestic coalbed methane pumping units



3、新疆乌鲁木齐生产厂：主要生产新疆和中亚五国抽油机
Xinjiang Wulumuqi production plant: mainly produces pumping units in
Xinjiang and the five countries in Central Asia



API 游梁式抽油机

API Standard Pumping Unit

游梁式抽油机具有性能可靠、结构简单、操作维修方便等特点。技术参数符合中华人民共和国行业标准GB/T29021-2012《游梁式抽油机》和美国石油协会API Spec 11E标准，并获得API会标使用权。

API 游梁式抽油机

API Standard Pumping Unit

主要特点：

- 1、整机结构合理、工作平稳、噪音小、操作维护方便；
- 2、游梁选用箱式或工字钢结构，强度高、刚性好、承载能力大；
- 3、减速器采用人字型渐开线或双圆弧齿形齿轮，加工精度高、承载能力强，使用寿命长；
- 4、驴头可采用上翻、上挂或侧转三种形式之一；
- 5、刹车采用外抱式结构，配有保险装置，操作灵活、制动迅速、安全可靠；
- 6、底座采用地脚螺栓连接或压杠连接两种方式之一。

The beam pumping unit has features of reliable performance, simple structure, easy operation and maintenance etc. Accordance with API SPEC 11E standard, and have the certificate of authority to use the official API monogram.

Main features:

- The whole unit has a reasonable structure, with the features of working smoothly, lower noise and easy maintenance.
- Box type structure or "I" section structure has been adopted for the walking beam. It has features of high strength, good rigidity and high bearing capacity.
- Gear reducer uses herringbone double arc gears, with the features of accurately machined, high bearing capacity and long working life.
- The horse head can swing vertically or horizontally to both sides of the walking beam to facilitate work over operation.
- External seizing structure has been adopted for the brake system and with the help of security device, the brake system has features of flexible operation, instant braking and reliable security; The base and the foundation can be fixed together by foundation bolts or compression bar.

API标准机型主要技术参数

Main technical parameters of API standard pumping unit

常规机：

Conventional Beam Pumping unit

机型 Model	减速器额定扭矩 (in-lbf×1000) Reducer Rating (in-lbf×1000)	额定悬点载荷 (lbf×100) Structure Capacity (lbf×100)	最大冲程 (in.) Max. Stroke Length (in.)	整机重量 (kg) Total Weight (kg)	
C-912-365-192	912	365	192	32.6	
C-912-365-168			168	29.8	
C-912-365-144			144	27.8	
C-912-305-192			305	192	30.9
C-912-305-168	168	28.6			
C-640-365-168	640	365	168	28.2	
C-640-365-144			144	26.8	
C-640-365-120			120	24.4	
C-640-305-168		305	168	27.4	
C-640-305-144			144	25.6	
C-640-305-120			120	23.6	
C-640-256-144	456	256	144	25	
C-456-365-120		365	365	120	23.2
C-456-305-168			305	168	26.3
C-456-305-144				144	24.2
C-456-305-120		120		22.5	
C-456-256-144		256	144	23.9	
C-456-256-120			120	21.9	
C-456-256-100			100	20.2	
C-456-213-120			213	120	21.3
C-320-305-100		320	305	305	100
C-320-256-144	256			144	22.9
C-320-256-120				120	20.9
C-320-256-100			100	19.2	
C-320-246-86	246		86	17.4	
C-320-246-74			74	15.9	
C-320-213-86	213		86	16.6	
C-320-213-120			120	20.3	

常规机：

Conventional Beam Pumping unit

机 型 Model	减速器额定扭矩 (in-lbf×1000) Reducer Rating (in-lbf×1000)	额定悬点载荷 (lbf×100) Structure Capacity (lbf×100)	最大冲程 (in.) Max. Stroke Length (in.)	整机重量 (kg) Total Weight (kg)	
C-228-246-86	228	246	86	16.1	
C-228-213-86			86	15.4	
C-228-213-120		213	120	19.1	
C-228-213-100			100	17.2	
C-228-200-74		200	200	74	14.6
C-228-173-74				74	13.8
C-228-173-100			173	100	16.1
C-160-200-74				160	200
C-160-173-86	173	86	14.6		
C-160-173-74		74	13		
C-160-173-64		64	12		
C-160-173-100		100	15.2		
C-160-143-74	143	143	74		12.2
C-160-143-64			64		11.4
C-114-173-64	114	173	64		11.6
C-114-173-54	143		54	10.1	
C-114-143-74		143	74	11.5	
C-114-143-64			64	10.5	
C-114-133-54		133	54	9.2	
C-114-119-86	119	86	12.5		
C-80-133-54	80	133	54	8.7	
C-80-133-48			48	8.1	
C-80-119-64		119	64	9.7	
C-80-119-54			54	8.3	
C-80-109-48	109	109	48	7.5	
C-57-109-48			57	48	7.1
C-57-95-48		95		48	6.8
C-57-89-42				89	6.4
C-57-76-54		76		54	7.1
C-57-76-42			42	6.1	

机 型 Model	减速器额定扭矩 (in-lbf×1000) Reducer Rating (in-lbf×1000)	额定悬点载荷 (lbf×100) Structure Capacity (lbf×100)	最大冲程 (in.) Max. Stroke Length (in.)	整机重量 (kg) Total Weight (kg)
C-40-89-42	40	89	42	6.1
C-40-89-36			36	5.3
C-40-76-48		76	48	6.3
C-40-76-42			42	5.5
C-25-67-36	25	67	36	4.5
C-25-67-30			30	4.1
C-25-56-36		56	36	4.3
C-25-53-30			53	3.9

异相机：

Out-Phased Beam Pumping Unit

机 型 Unit Size	减速器额定扭矩 (in-lbf×1000) Reducer Rating (in-lbf×1000)	额定悬点载荷 (lbf×100) Structure Capacity (lbf×100)	最大冲程长度 (in.) Max. Stroke Length (in.)	整机重量 (kg) Total Weight (kg)
RM-228-143-100	228	143	100	16.85
RM-228-173-100		173		17.2
RM-320-173-120	320	173	120	18.33
RM-320-213-120				213
RM-456-213-120	456	213	168	20.35
RM-456-213-168				256
RM-456-256-120		256	120	20.85
RM-456-256-144			144	22.6

GB/T29021-2012标准机型主要技术参数

Main technical parameters of SY/T5044 standard pumping unit

常规机：

Conventional Beam Pumping unit

机型 Size	额定悬点载荷 (kN) Polished Rod Capacity (kN)	减速器额定扭 (kN.m) Reducer Rating (kN.m)	冲次 (min-1) Frequency of Stroke (min-1)	冲程 (m) Stroke Length (m)	电机功率 (kW) Prime Movor (kW)	整机重量 (kg) Total Weight (kg)
CYJ3-1.5-6.5HB	30	6.5	15, 12, 9	1.5, 1.1, 0.9	5.5	5430
CYJ6-2.5-26HB	60	26	8, 6, 4	2.5, 2.1, 1.8	18.5	12000
CYJ8-2.5-26HB	80	26	9, 7, 5	2.5, 2.1, 1.8	22	15000
CYJ8-3-37HB	80	37	12, 9, 6	3, 2.5, 2.1	30	17000
CYJ10-3-37HB	100	37	12, 9, 6	3, 2.5, 2.1	37	18215
CYJ10-3-53HB	100	53	12, 9, 6	3, 2.5, 2.1	45	18955

异相机：

Out-Phased Beam Pumping Unit

机型 Size	额定悬点载荷 (kN) Polished Rod Capacity (kN)	减速器额定扭矩 (kN.m) Reducer Rating (kN.m)	冲次 (min-1) frequency of stroke (min-1)	冲程 (m) Stroke Length (m)	电机功率 (kW) Prime Movor (kW)	整机重量 (kg) Total Weight (kg)
CYJY4-2.5-13HB	40	13	9, 7, 5	2.5, 2, 1.6	11	11000
CYJY5-3-26HB	50	26		3, 2.5, 2	18.5	14000
CYJY6-2.5-26HB	60		8, 6, 4	2.5, 2, 1.6		12315
CYJY8-3-37HB	80	37	12, 9, 6	3, 2.5, 2	22	17230
CYJY10-3-37HB	100				37	18311
CYJY10-3-53HB		53	10, 8, 6	4.2, 3.6, 3	45	19075
CYJY10-4.2-53HB	21565					
CYJY12-3-53HB	120	73	8, 6, 4	3, 2.5, 2, 1.5	55	21070
CYJY14-5.5-73HB	140					73
CYJY14-6-73HB		89	89	6, 5, 4	5.5, 4.6, 3.7	75
CYJY14-5.5-89HF	32400					
CYJY14-6-89HF						34400



调径变矩系列节能抽油机 Moment Adjustable Pumping Unit

主要特点：

游梁实现偏置平衡，结构新颖。

调整简单易行。驴头上死点时配重箱接近地面。很容易加减配重箱中小平衡块。

平衡性好，针对载荷峰值位置精确调整平衡。

调冲程时将游梁与支架锁住，改变了过去调冲程作业安全性差、劳动强度大并需吊车等辅助作业的现状。

中小型机采用后置式结构，大型机采用前置式结构。

产品通过美国石油学会 API Spec 11E 认证，并获得API会标使用权。

调径变矩系列节能抽油机

Moment Adjustable Pumping Unit

Main features:

- Offset balance structure is adopted for the walking beam.
- Adjustment can be carried out simply. The counter balance weight is near the ground when the horse head is at its highest position, thus medium and small balance weights can be added to or removed from it easily.
- Good balance performance. Balance can be accurately adjusted according to peak load position.
- The walking beam and the Sampson post should be locked when adjusting the stroke length, so as to increase operation safety, lowering down labor intensity and crane engagement.
- The medium and small size pumping unit will adopt rear adjusted structure while the large sized ones will adopt front adjusted structure .
- Accordance with API SPEC 11E standard, and have the certificate of authority to use the official API monogram.

主要技术参数

Main technical parameters

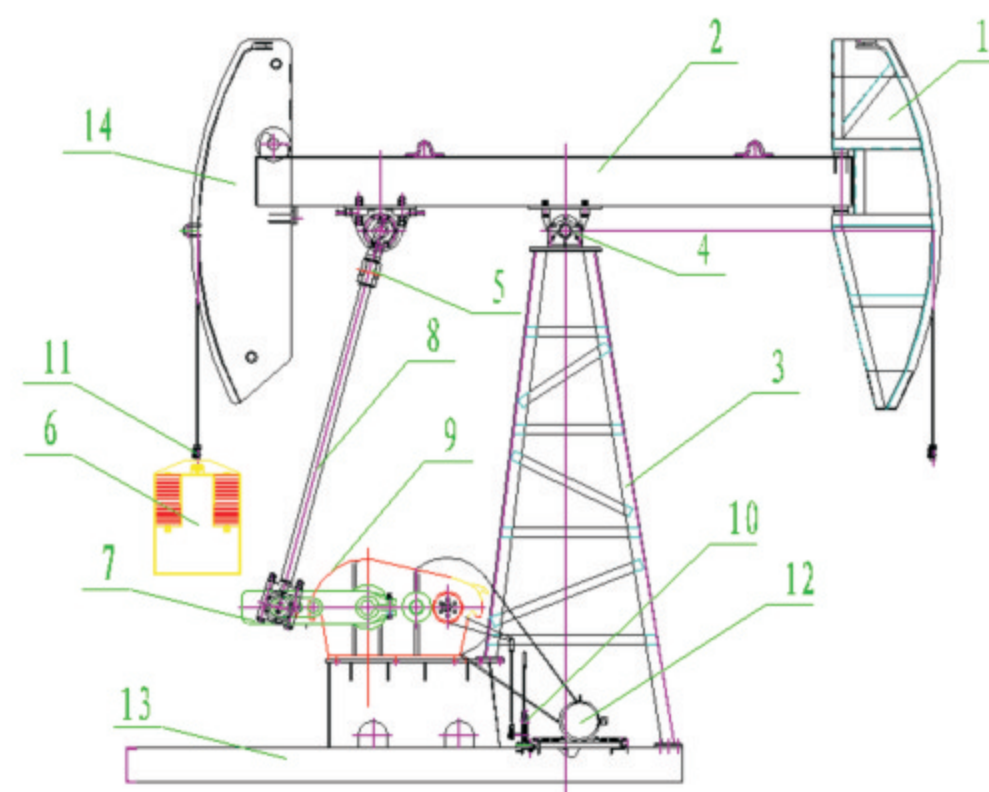
机 型 Model	额定悬点载荷 (kN) Structure Capacity (kN)	减速器额定扭矩 (kN.m) Reducer Rating (kN.m)	冲 次 (min-1) Stroke Frequency (min-1)	冲 程 (m) Stroke Length (m)	电机功率 (kW) Motor Power (kW)	整机重量 (kg) Unit Weight (t)
CYJT10-3-37HY	100	37	3.0, 2.4, 1.8	4, 5, 6	18.5	14500
CYJT8-3-37HY	80	37	3.0, 2.4, 1.8	4, 5, 6	18.5	13500
CYJT8-3-26HY	80	26	3.0, 2.4, 1.8	4, 5, 6	15	13000
CYJT6-2.5-18HY	60	18	2.5, 2.0, 1.5	5, 6, 7	11	9500
CYJT5-2.5-13HY	50	13	2.5, 2.0, 1.5	5, 6, 7	11	8400
CYJT4-2.1-9HY	40	9	2.1, 1.7, 1.3	6, 7, 8	7.5	5500
CYJT3-1.8-7HY	30	7	1.8, 1.4, 1.0	6, 7, 8	7.5	4800
CYJT10-5-48HY	100	48	5, 4.2, 3.4	4, 5, 6	22	23000
CYJT12-5-53HY	120	53	5, 4.2, 3.4	4, 5, 6	30	24700
CYJT14-5-53HY	140	53	5, 4.2, 3.4	4, 5, 6	30	27500
CYJT14-5-73HY	140	73	5, 4.2, 3.4	3, 4, 5	37	28800

抽油机结构示意图

Schematic diagram of pumping unit structure

CYJS () - () - () HY 双驴头型抽油机

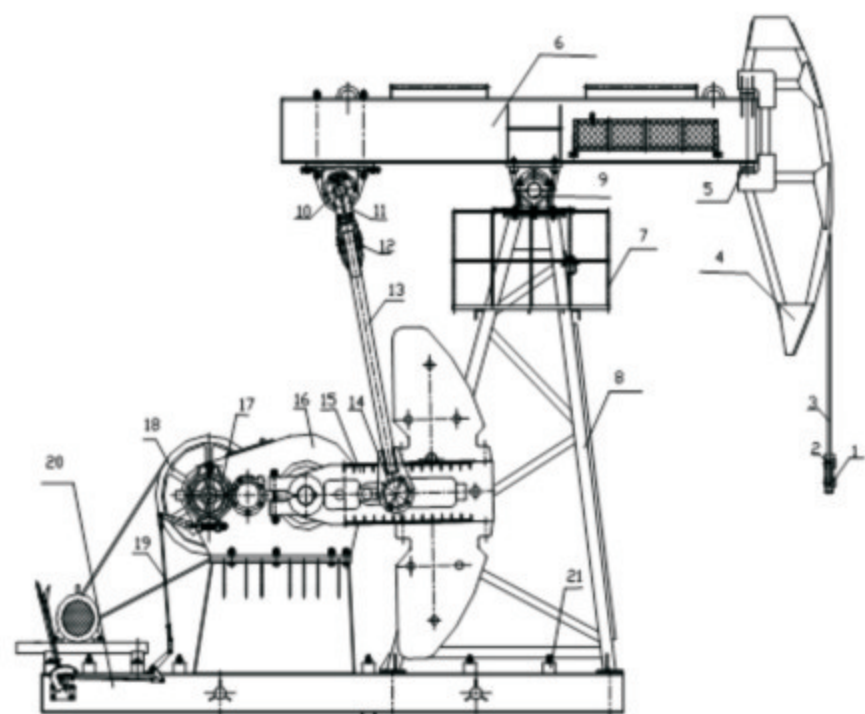
Double horsehead pumping unit



- | | |
|------------------------------|-----------------------------|
| 1、驴头 horsehead | 8、连杆装置 Pitman |
| 2、游梁 walking beam | 9、减速器 reducer |
| 3、支架 Samson post | 10、刹车装置 Brake |
| 4、游梁支承 walking beam support | 11、悬绳器 carrier bar assembly |
| 5、横梁总成 equalizer | 12、电动机总成 Motor assembly |
| 6、悬挂配重 Hanging counterweight | 13、底座总成 Base assembly |
| 7、曲柄 Crank | 14、后驴头 after horsehead |

CYJ () - () - () HB 常规型抽油机

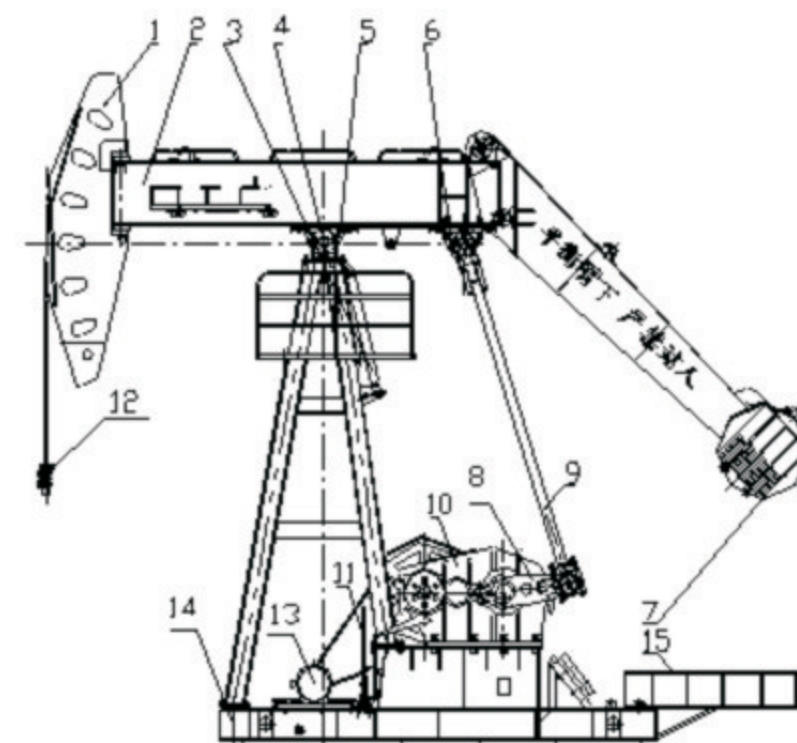
Conventional pumping unit



- | | |
|---------------------------------|----------------------|
| 1、悬绳器 carrier bar assembly | 12、横梁 Equalizer |
| 2、光杆卡瓦 Polished rod clip | 13、连杆 Pitman |
| 3、吊绳 Hanging rope | 14、曲柄销装置 Crank Pin |
| 4、驴头 horsehead | 15、曲柄总成 Crank |
| 5、驴头轴销 horsehead pin | 16、减速器 reducer |
| 6、游梁 walking beam | 17、刹车 Brake |
| 7、支架平台 Samson post platform | 18、电机 Motor assembly |
| 8、支架 Samson post | 19、刹车操纵杆 Brake |
| 9、游梁支撑 walking beam support | 20、底座 Base assembly |
| 10、横梁轴承座 Equalizer Bearing seat | 21、底座固定装置 Base fixed |
| 11、横梁支撑 Equalizer support | |

CYJT () - () - () HY 调经变距抽油机

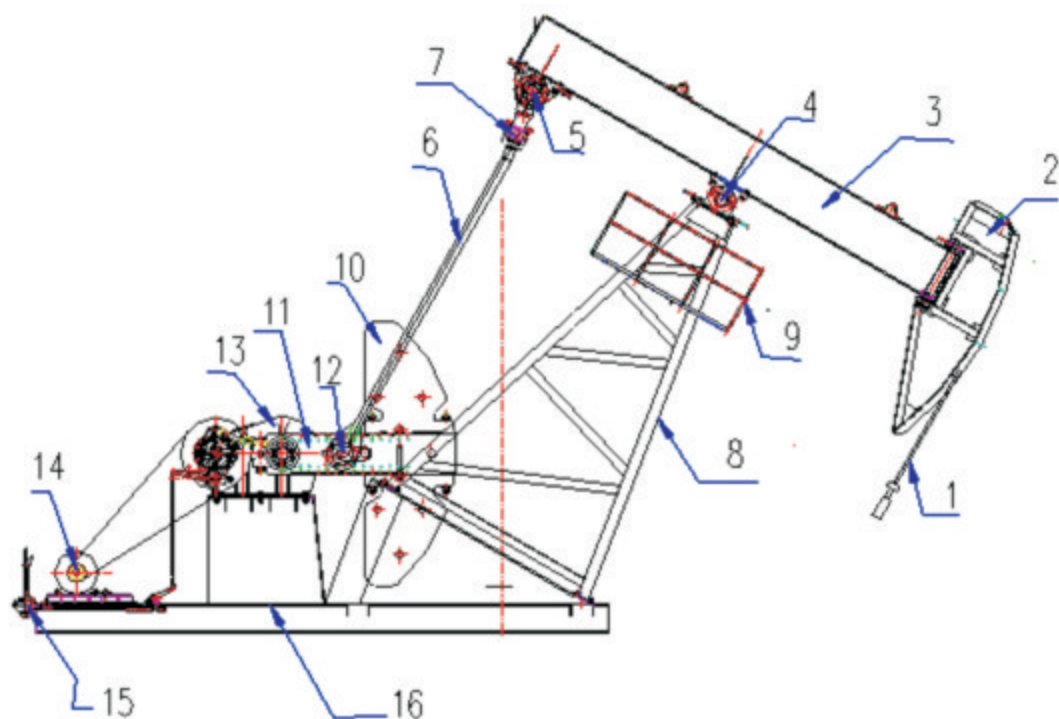
Moment Adjustable Pumping Unit



- | | |
|-----------------------------|-----------------------------|
| 1、驴头 horsehead | 9、连杆装置 Pitman |
| 2、游梁 walking beam | 10、减速器 reducer |
| 3、游梁支撑 walking beam support | 11、刹车装置 Brake |
| 4、支架 Samson post | 12、悬绳器 carrier bar assembly |
| 5、游梁支承 walking beam support | 13、电动机总成 Motor assembly |
| 6、横梁总成 Equalizer | 14、底座总成 Base assembly |
| 7、后吊臂 After hang arm | 15、围栏 Protective fence |
| 8、曲柄 Crank | |

XCYJ () - () - () HB 斜井抽油机

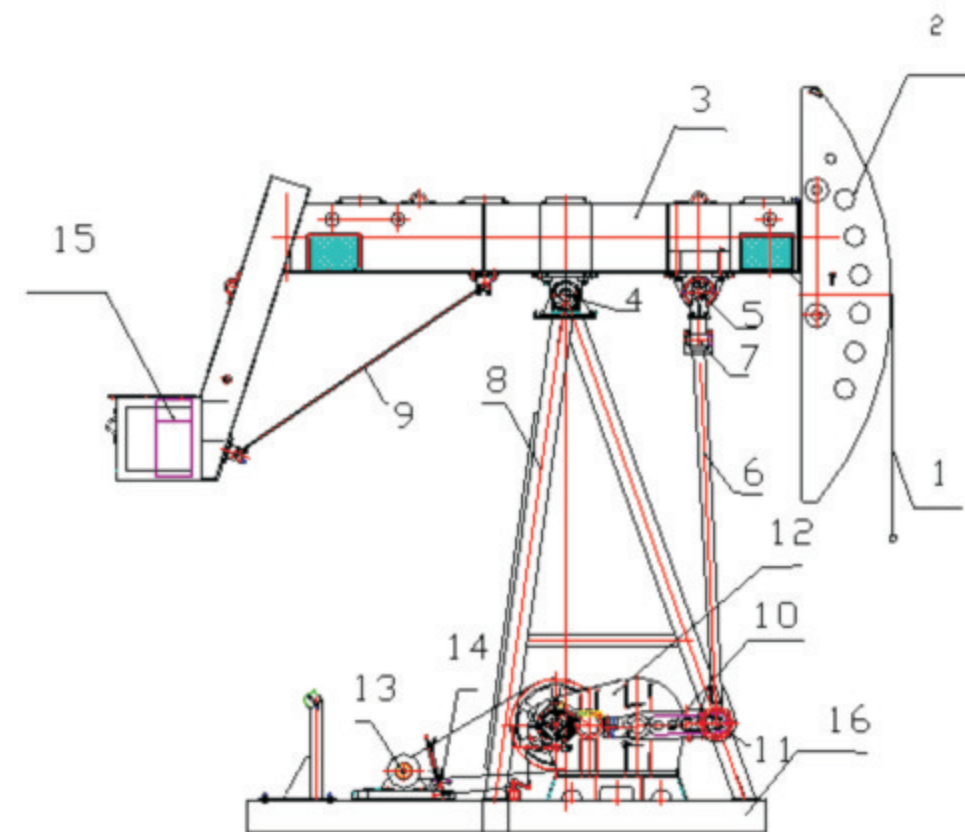
Inclined shaft Pumping unit



- | | |
|--------------------------------|-----------------------------|
| 1、吊绳 Hanging rope | 9、支架平台 Samson post platform |
| 2、驴头 horsehead | 10、平衡块 Balance block |
| 3、游梁 walking beam | 11、曲柄 Crank |
| 4、中央轴承座总成 walking beam support | 12、曲柄销 Crank Pin |
| 5、横梁轴承座总成 Equalizer support | 13、减速机 reducer |
| 6、连杆 Pitman | 14、动力装置 Motor assembly |
| 7、横梁 Equalizer | 15、刹车装置 Brake |
| 8、支架 Samson post | 16、底座 Base assembly |

CYJQ () - () - () HY 前置型抽油机

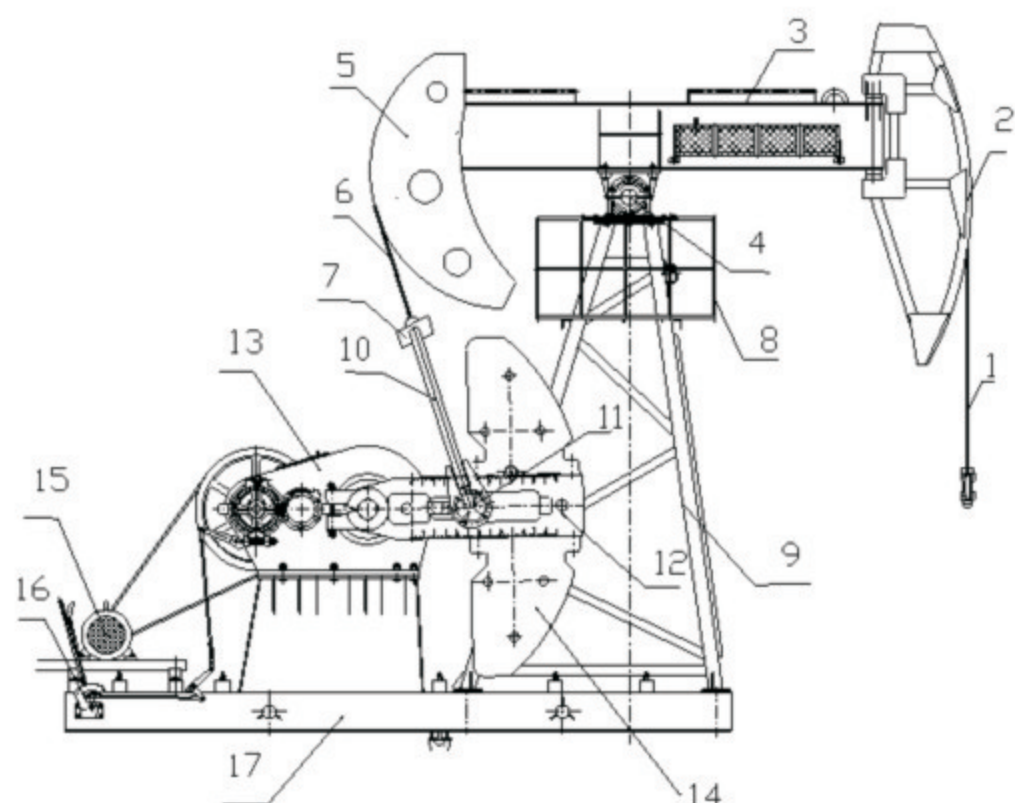
Front type pumping unit



- | | |
|--------------------------------|----------------------------|
| 1、吊绳 Hanging rope | 9、力矩调节杆 Torque adjust pole |
| 2、驴头 horsehead | 10、曲柄 Crank |
| 3、游梁 walking beam | 11、曲柄销 Crank Pin |
| 4、中央轴承座总成 walking beam support | 12、减速机 reducer |
| 5、横梁轴承座总成 Equalizer support | 13、动力装置 Motor assembly |
| 6、连杆 Pitman | 14、刹车装置 Brake |
| 7、横梁 Equalizer | 15、Countweight |
| 8、支架 Samson post | 16、底座 Base assembly |

CYJS () - () - () HB 双驴头抽油机

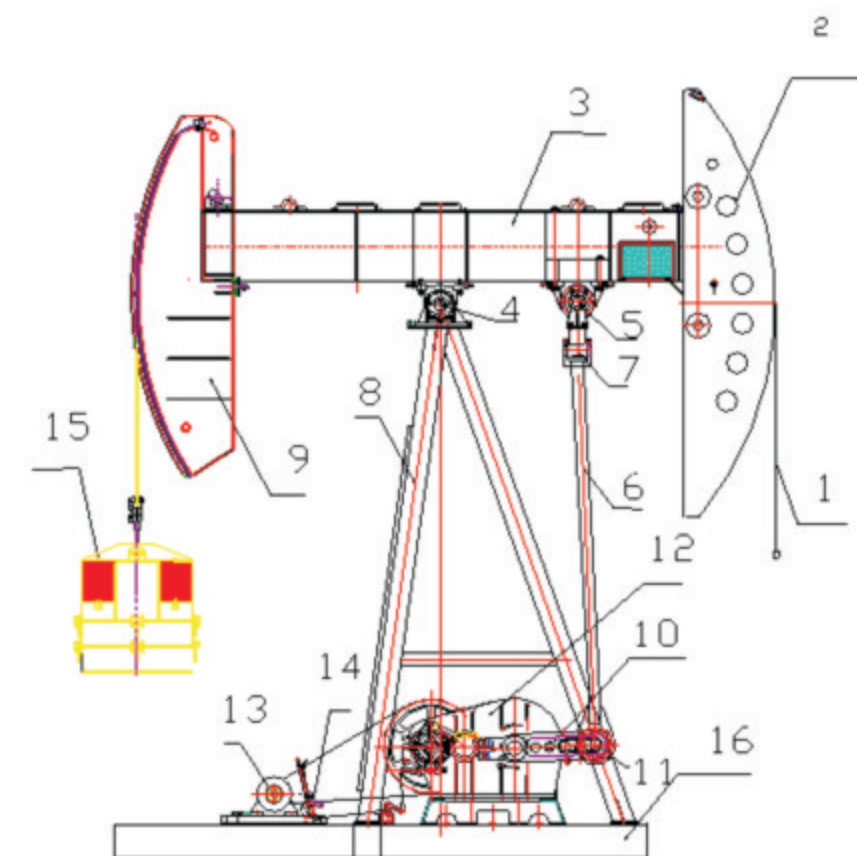
Double Horsehead pumping unit



- | | |
|--------------------------------|------------------------|
| 1、吊绳 Hanging rope | 10、连杆 Pitman |
| 2、驴头 horsehead | 11、曲柄销装置 Crank Pin |
| 3、游梁 walking beam | 12、曲柄 Crank |
| 4、中央轴承座总成 walking beam support | 13、减速机 reducer |
| 5、后驴头 after horsehead | 14、平衡块 Balance block |
| 6、后吊绳 After Hanging rope | 15、动力装置 Motor assembly |
| 7、横梁 Equalizer | 16、刹车装置 Brake |
| 8、支架平台 Samson post platform | 17、底座 Base assembly |
| 9、支架 Samson post | |

CYJQ () - () - () HS 前置型双驴头抽油机

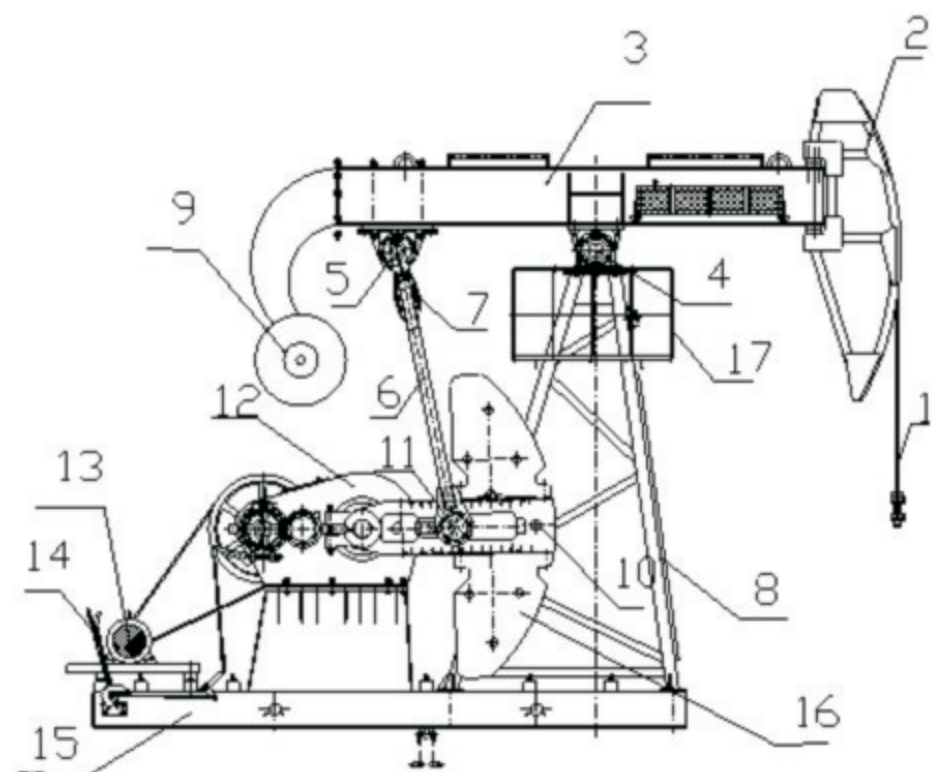
Front type double donkey head pumping unit



- | | |
|--------------------------------|----------------------------------|
| 1、吊绳 Hanging rope | 9、后驴头 After horsehead |
| 2、驴头 horsehead | 10、曲柄 Crank |
| 3、游梁 walking beam | 11、曲柄销 Crank Pin |
| 4、中央轴承座总成 walking beam support | 12、减速机 reducer |
| 5、横梁轴承座总成 Equalizer support | 13、动力装置 Motor assembly |
| 6、连杆 Pitman | 14、刹车装置 Brake |
| 7、横梁 Equalizer | 15、平衡配重 Balance steelyard weight |
| 8、支架 Samson post | 16、底座 Base assembly |

CYJX () - () - () HB 下偏杠铃型抽油机

Downward barbell pumping unit



- | | |
|---------------------------------|------------------------------|
| 1、吊绳 Hanging rope | 10、曲柄 Crank |
| 2、驴头 horsehead | 11、曲柄销 Crank Pin |
| 3、游梁 walking beam | 12、减速机 reducer |
| 4、中央轴承座总成 walking beam support | 13、动力装置 Motor assembly |
| 5、横梁轴承座总成 Equalizer support | 14、刹车装置 Brake |
| 6、连杆 Pitman | 15、平衡块 Balance block |
| 7、横梁 Equalizer | 16、底座 Base assembly |
| 8、支架 Samson post | 17、支架平台 Samson post platform |
| 9、下偏杠铃 Balance steelyard weight | |

我公司生产的其他型号抽油机

Other types of pumping units produced by our company

API B型抽油机

B type pumping units



立式皮带抽油机

Vertical belt pumping unit



私服电缸抽油机

Private server electric cylinder pumping unit



盘式电机型抽油机

Disc motor type pumping unit



出口待发货

Export to be shipped

