



FOSHAN WEIYINGJIA TECHNOLOGY CO., LTD
佛山市威盈加科技有限公司



PNEUMATIC CYLINDER
 ALUMINIUM ALLOY EXTRUSIONS



优质铝合金气动气缸筒厂家
 HIGH QUALITY ALUMINUM ALLOY PNEUMATIC CYLINDER TUBE MANUFACTURER

/一/切/为/您/的/需/求/服/务
 THE BEST FOR YOU

公司创建于
SINCE 2007



国内官网
 Domestic Official Website



外贸官网
 Foreign Trade Official Website

✉ 邮件

Email

邮箱E-Mail : wyspneumatic@outlook.com
 官网Website : www.wyspneumatic.com

📞 联系方式

Contact information

TEL : 0757-86417736
 MAX : 0757-86417730

📍 联系地址

Contact address

佛山市南海区狮山镇招大南工业区创业中路16号之一
 No.16, Chuangye Middle Road, Zhaoda Zhaonan Industrial Zone,
 Shishan town, Nanhai District, Foshan City,Guangdong,China

佛山市威盈加科技有限公司

FOSHAN WEIYINGJIA TECHNOLOGY CO., LTD

企业产品册目录

001 | 公司企业简介 ENTERPRISE PROFILE 03

002 | 公司主营服务介绍 THE MAIN SERVICE 02

003 | 公司基本产品以及参数 PRODUCTS AND PARAMETERS

004 | 合作伙伴和企业证书 PARTNERS AND CERTIFICATES

003 | 公司技术说明 TECHNICAL NOTE

004 | 公司检测仪器与生产设备 INSTRUMENTS AND EQUIPMENT

Manufacturer of quality cylinder products

优质气缸产品制造商

WEIYINGJIA

威盈加

Foshan city weiyinjia
aluminum co., ltd

WEIYINGJIA is high quality industrial aluminum processing manufacturer

公司简介

Company Introduction

Foshan weiyingjia Technology Co., Ltd, founded in 2007. It's brand "Weiyingsi" was registered with SAIC. It's an innovative enterprise specialized in research and development of all kinds of aluminum cylinder tube. All products with ISO9001 certificate and exported to more than 30 countries.



中国十大气缸制造商之一

ONE OF THE TOP TEN CYLINDER MANUFACTURERS IN CHINA

为中国传统制造业气缸的发展和工业自动化的转型做出了巨大贡献

IT HAS MADE GREAT CONTRIBUTION TO THE DEVELOPMENT OF CYLINDER IN CHINA'S TRADITIONAL MANUFACTURING INDUSTRY AND THE TRANSFORMATION OF INDUSTRIAL AUTOMATION



主营产品

Main Products

- Pneumatic cylinder tube
- Oil-free compressor cylinder
- PTFE piston ring/seal
- Customized aluminum profile



专业设备

Professional Equipment

- 3 hydraulic drawing machines
- 15 honing machines
- 3 polishing machines
- 3 sandblasting machines
- 2 hard anodized production lines
- 10 CNC machines and heat treatment machine



产品优势

Product Advantages

- Good hardness and quality
- Good roundness (controlled within 5C)
- Good smoothness, easy cleaned
- Strict quality testing

更多

More

- Enough stock
- Various specifications
- Produced by ourselves
- Affordable price

Company testing instruments and production equipment

公司检测仪器与生产设备



检测仪器齐全，数据准确，公差小

Complete testing instruments, accurate data, small tolerance

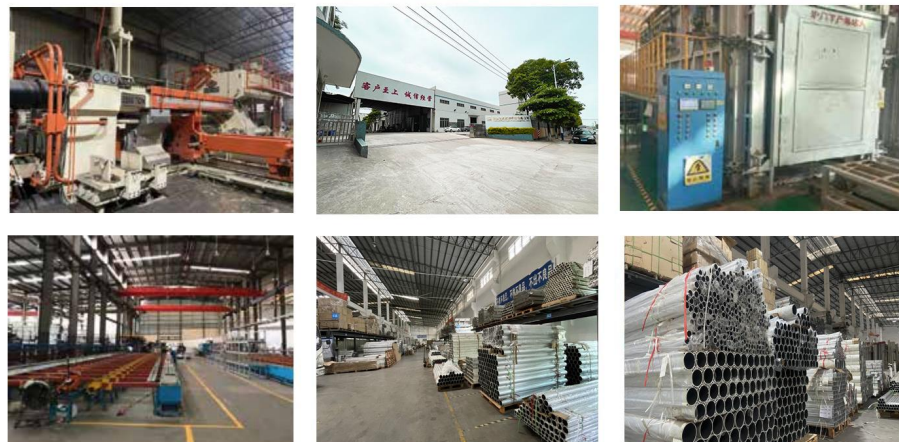
MANAGEMENT GROUP

加入我们

PENETRATION
THROUGH
SUBSTITUTION



产品和产品研究、开发、生产及销售的高科技企业，总部及研发基地设立于风景秀丽的佛山罗村。公司技术和研发实力雄厚，并被政府认定为“高新技术企业”



佛山市威盈加科技有限公司（气缸筒厂家）

Foshan weiyingjia Technology Co., Ltd

(Cylinder Barrel Manufacturer)

电话TEL: 86-0757-86417736 / 18038711802

邮箱E-Mail: wyspneumatic@outlook.com

传真MAX: 86-0757-86417730

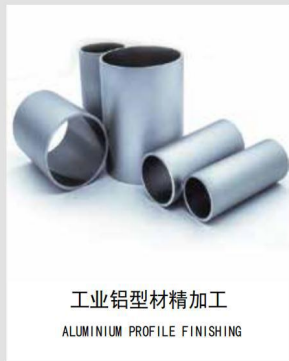
公司地址Add: 佛山市南海区狮山镇招大招商工业创业区创业中路16号之一

No.16, Chuangye Middle Road, Zhaoda Zhaonan Industrial Zone,

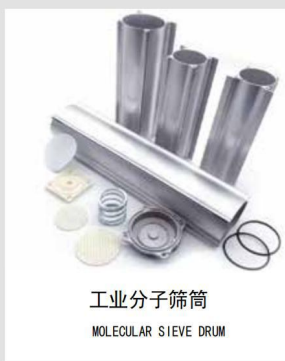
Shishan town, Nanhai District, Foshan City, Guangdong, China

WHAT WE DO

公司主营服务介绍



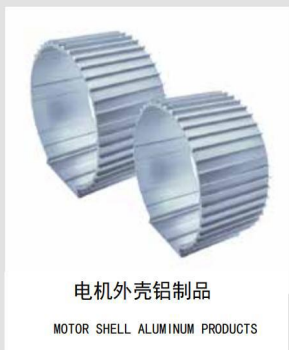
工业铝型材精加工
ALUMINIUM PROFILE FINISHING



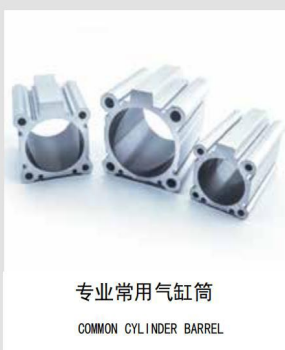
工业分子筛筒
MOLECULAR SIEVE DRUM



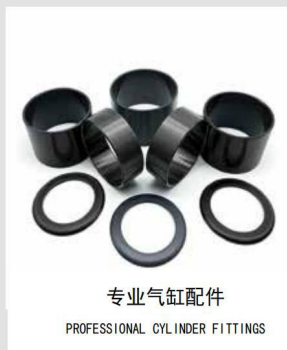
硬质氧化零件
HARD OXIDIZED PARTS



电机外壳铝制品
MOTOR SHELL ALUMINIUM PRODUCTS



专业常用气缸筒
COMMON CYLINDER BARREL

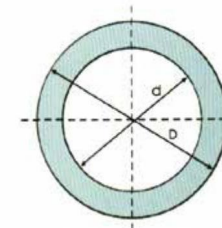


专业气缸配件
PROFESSIONAL CYLINDER FITTINGS

PRODUCT PARAMETER

公司基本产品以及相关参数

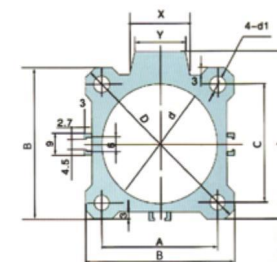
铝合金标准圆缸管SC型 Aluminum alloy standard round cylinder tube SC type



IDd	ODD	壁厚 Thickness
φ 20	φ 25	2.5
φ 25	φ 30	2.5
φ 30	φ 35	2.5
φ 32	φ 37	2.5
φ 35	φ 40	2.5
φ 40	φ 45	2.5
φ 50	φ 55	2.5
φ 63	φ 68	2.5
φ 63	φ 69	3
φ 63	φ 70	3.5

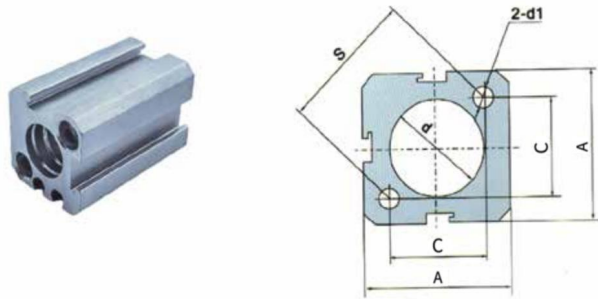
IDd	ODD	壁厚 Thickness
φ 70	φ 75	2.5
φ 75	φ 80	2.5
φ 80	φ 86	3
φ 80	φ 87	3.5
φ 100	φ 106	3
φ 100	φ 107	3.5
φ 125	φ 133	4
φ 160	φ 170	5
φ 200	φ 210	5
φ 250	φ 262	6

铝合金SMC薄型气缸筒A型(QGY) Aluminum alloy SMC thin cylinder cylinder A type



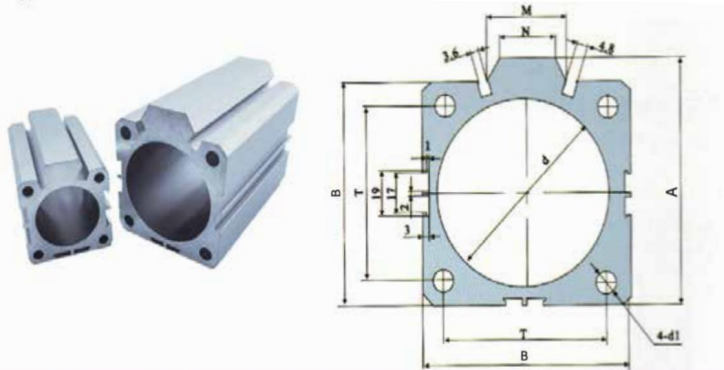
NO.	d	A	B	C	D	4-d1	x	y
1	φ 12		25×25	18×18	φ 32	φ 3.5		
2	φ 16		29×29	20×20	φ 38	φ 3.5		
3	φ 20	36	34×34	25.5×25.5	φ 47	φ 5.5	11	10
4	φ 25	42	40×40	28×28	φ 52	φ 5.5	11	10
5	φ 32	49.5	45×45	34×34	φ 60	φ 5.5	20	18
6	φ 40	57	52×52	40×40	φ 69	φ 5.5	21	18
7	φ 50	71	64×64	50×50	φ 86	φ 6.6	26	22
8	φ 63	84	77×77	60×60	φ 103	φ 9.0	26	22
g	φ 80	104	98×98	77×77	φ 132	φ 11.0	29.5	26
10	φ 100	123.5	117×117	94×94	φ 156	φ 11.0	37.5	26
11	φ 125	153	142×142	114×114	φ 190	φ 21.2	37.5	32

铝合金亚德客标准型气缸筒A型
Aluminum alloy Airtac Compact thin cylinder A type



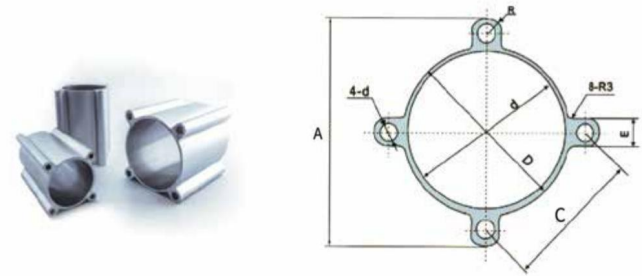
NO.	d	A	C	s	2-d1
1	φ 12	25x25	16.2	23	φ 3
2	φ 16	29x29	19.8	28	φ 3

铝合金亚德客标准型气缸筒B型 SDA
Aluminum alloy Airtac Compact thin cylinder B type



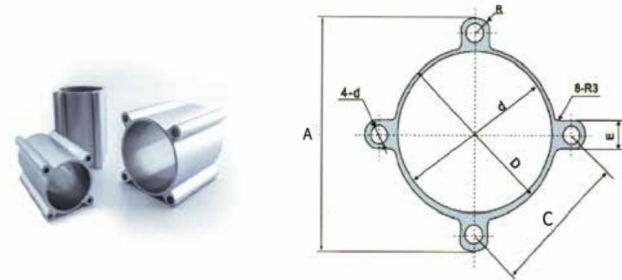
No.	d	B	A	T	4-d1	M	N
1	φ 20	34x34	36	24x24	φ 4.2	11.3	10
2	φ 25	40x40	42	28x28	φ 4.6	12	10
3	φ 32	44x44	50	34x34	φ 4.6	18.3	15
4	φ 40	52x52	58.5	40x40	φ 6.5	21.3	16
5	φ 50	62x62	71.5	48x48	φ 6.5	30	20
6	φ 63	75x75	84.5	60x60	φ 6.5	28.7	20
7	φ 80	94x94	104	74x74	φ 9.2	36	26
8	φ 100	114x114	124	90x90	φ 11.3	35	26

铝合金6430标准米字型气缸筒 (SDA攻牙) SU
6430 Aluminum alloy Mickey Mouse cylinder tube



NO.	d	D	C	A	E	4-d
1	φ 32	φ 36.5	33x33	55.3x55.3	10	φ 5.2
2	φ 40	φ 44.5	37x37	65x65	10	φ 5.2
3	φ 50	φ 55.3	47x47	81.8x81.8	12	φ 5.2
4	φ 63	φ 68.0	56x56	93.5x93.5	12	φ 6.8
5	φ 80	φ 85.8	70x70	117x117	14	φ 8.7
6	φ 100	φ 106.0	84x84	145x145	15	φ 8.7

铝合金6431标准米字型气缸筒 (SMC攻牙) SI
6431 Aluminum alloy Mickey Mouse cylinder tube

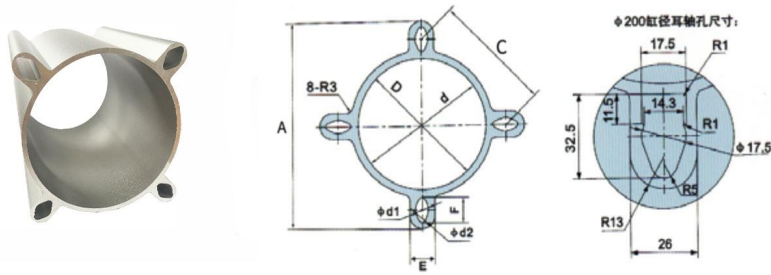


NO.	d	D	C	A	E	4-d
1	φ 32	φ 36.5	32.5x32.5	55.3x55.3	10	φ 5.2
2	φ 40	φ 44.5	38x38	65x65	10	φ 5.2
3	φ 50	φ 55.3	46.5x46.5	81.8x81.8	12	φ 5.2
4	φ 63	φ 68.0	56.5x56.5	93.5x93.5	12	φ 6.8
5	φ 80	φ 85.8	72x72	117x117	14	φ 8.7
6	φ 100	φ 106.0	89x89	145x145	15	φ 8.7



铝合金6431标准米字型气缸筒 SI/SU

6431 Aluminum alloy Mickey Mouse cylinder tube

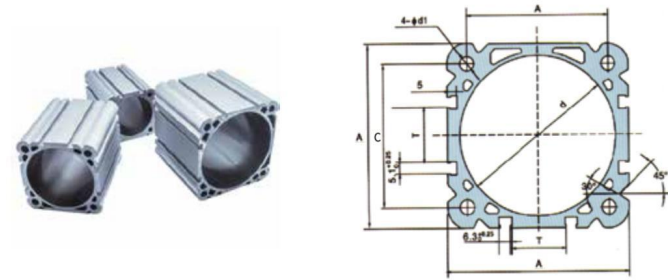


NO.	d	D	C	A	d1	d2	E	F
1	φ 125	φ 132.0	110x110	180x180	φ 12.0	φ 7.0	18	20
2	φ 160	φ 168.5	140x140	232x232	φ 17.5	φ 11.0	25.5	25
3	φ 200	φ 214.0	176x176	291x291			26	32.5



铝合金6430欧洲标准DNC薄型气缸筒

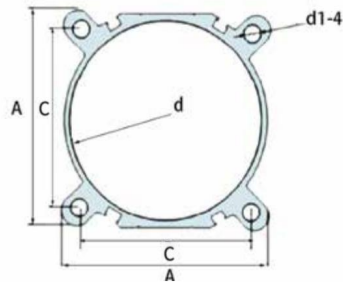
6430 Aluminum alloy DNC cylinder tube



NO	d	A	C	T	4-d1
1	φ 32	43.5x43.5	33x33	8.4	φ 5.5
2	φ 40	50x50	37x37	10.9	φ 5.5
3	φ 50	61x61	47x47	17	φ 5.5
4	φ 63	74x74	56x56	25.5	φ 7.4
5	φ 80	93x93	71x71	27.9	φ 9.3
6	φ 100	111x111	84x84	35	φ 9.3

铝合金SAI系列薄型气缸筒

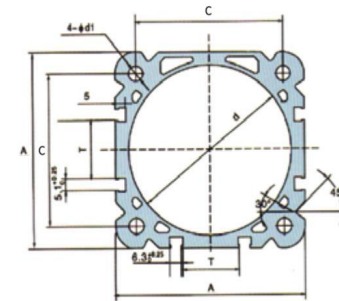
Aluminum alloy SAI cylinder tube



NO	d	A	C	d1-4
1	φ 32	42	32.5	5.2
2	φ 40	48	38	5.2
3	φ 50	59	46.5	6.7
4	φ 63	70	56.5	6.7
5	φ 80	87	72	8.7
6	φ 100	101	89	8.7
7	φ 125	128	110	10.5
8	φ 160	171	140	14

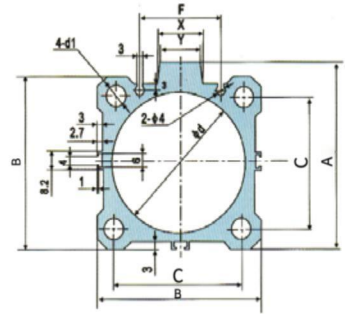
铝合金6431欧洲标准DNC薄型气缸筒

6431 Aluminum alloy DNC cylinder tube



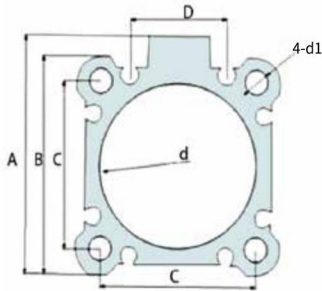
NO.	d	A	C	T	4-φd1
1	φ 32	44x44	32.5x32.5	8.2	φ 5.1
2	φ 40	51x51	38x38	11	φ 5.1
3	φ 50	64x64	46.5x46.5	17	φ 6.7
4	φ 63	75x75	56.5x56.5	26	φ 6.7
5	φ 80	93x93	72x72	28	φ 8.7
6	φ 100	111x111	89x89	35	φ 8.7
7	φ 125	134x134	110x110	55	φ 10.3

铝合金SMC薄型气缸筒B1型
Aluminum alloy SMC thin cylinder cylinder B1 type



NO.	d	B	A	C	F	4-d1	x	Y
1	φ 32	45x45	49.5	34	20.6	φ 5.5	14.8	13.9
2	φ 40	52x52	57	40	22	φ 5.5	23.5	16
3	φ 50	64x64	71	50	26	φ 6.6	20	18
4	φ 63	77x77	84	60	38	φ 9.0	21	19
5	φ 80	98x98	104	77	42	φ 11.0	37.5	26
6	φ 100	117x117	123.5	94	50	φ 11.0	37.5	26

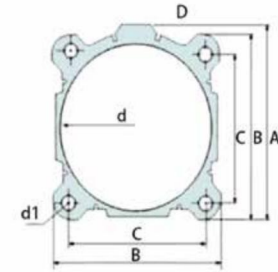
铝合金SMC薄型气缸筒B2型 φ 32-100 CQ2B
Aluminum alloy SMC thin cylinder cylinder B2 type φ 32-100



CQ2B φ 32-φ 100

No	d	4-d1	A	B	c	b
1	φ 32	5.5	50	45	34	19.8
2	φ 40	5.5	57	52	40	24.6
3	φ 50	6.6	71	64	50	29
4	φ 63	9	84	77	60	38
5	φ 80	11	104	98	77	48
6	φ 100	11	123.4	117	94	63

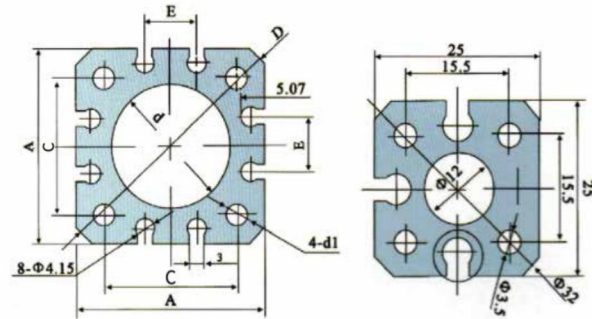
铝合金SMC薄型气缸筒B2型 φ 125-200 CQ2B
Aluminum alloy SMC thin cylinder cylinder B2 type φ 125-200



CQ2B φ 125-φ 200

No	d	d1	A	B	c
1	φ 125	12	153	142	114
2	φ 140	12	168	158	128
3	φ 160	14	188	178	144
4	φ 180	19.5	203.5	196.6	161.6
5	φ 200	19.5	225.5	217.6	181.6

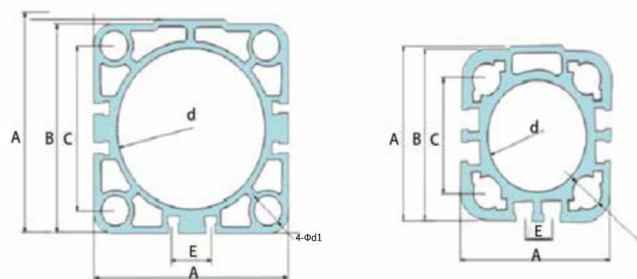
铝合金SMC薄型气缸筒C型
Aluminum alloy SMC thin cylinder cylinder C type



NO.	d	D	A	C	E	4-d1
1	φ 12	如右上图所示Pls refer to the drawing				
2	φ 16	38	29x29	20x20	7x7	φ 3.6
3	φ 20	46.8	35.6x35.6	25.2x25.2	11x11	φ 4.8
4	φ 25	52	40x40	28x28	11x11	φ 5.5

铝合金ADVU超薄系列薄型气缸筒

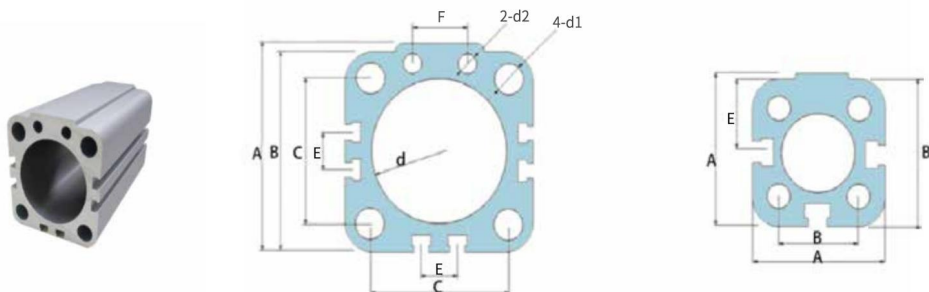
Aluminum alloy ADVU cylinder tube



No	d	4-φd1	B	C	E	A
1	φ 16	5.5	29	18	-	30
2	φ 20	7.5	35	22	-	36
3	φ 25	7.5	39	26	-	40
4	φ 32	9.5	48	32	9	49
5	φ 40	9.5	57	42	14	59
5	φ 50	11.5	67	50	20	69
7	φ 63	15.5	84	62	20	86
8	φ 80	15.5	104	82	20	106
9	φ 100	15.5	125	103	25	128

铝合金ADVU φ 16-80系列薄型气缸筒

Aluminum alloy ADVU φ 16-80 cylinder tube

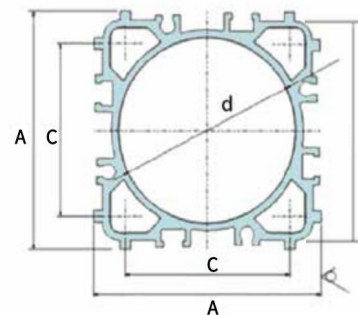


No	d	4-φd1	2-d2	B	C	E	A	F
1	φ 16	5.3	-	29	18	14	30	-
2	φ 20	6.5	-	36	22	-	37.5	-
3	φ 25	6.2		40	26	20	41.5	
4	φ 32	8.5	6	50	32	10	52	11
5	φ 40	8.5	6	60	42	14	63.5	15
6	φ 50	10.5	7	68	50	14	71	20
7	φ 63	14.5	10	88	62	14	91	21
8	φ 80	14.5	10	107	82	14	111	22
9	φ100			128	103	14	111	22



铝合金CP96系列薄型气缸筒

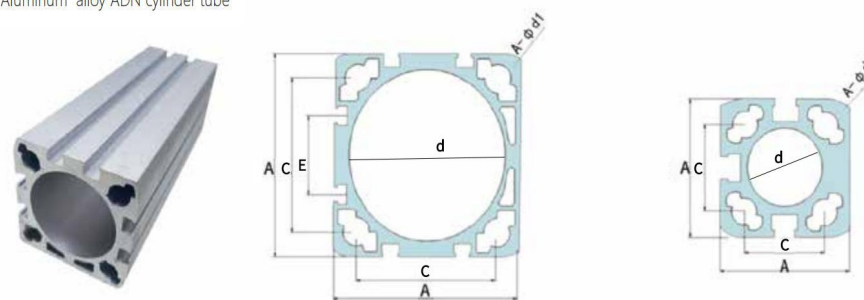
Aluminum alloy CP96 cylinder tube



No	d	A	C	B
1	φ 32	46	32.5	42
2	φ 40	53	38	47.4
3	φ 50	64	46.5	59
4	φ 63	74.5	56.5	69.4
5	φ 80	94	72	87
6	φ 100	113	89	106
7	φ 125	138	110	131

铝合金ADN系列薄型气缸筒

Aluminum alloy ADN cylinder tube



NO.	d	A	C	E	4-φd1
1	12	27.5	16	-	4.5
2	16	29	18	-	4.5
3	20	35.5	22	-	6.7
4	25	39.5	26	7	6.7
5	32	47	32.5	9.7	8.6
6	40	54.5	38	15.3	8.6
7	50	65.5	46.5	25	8.6
8	63	75.5	56.5	29	10.5
9	80	95	72	35	10.5
10	100	113	89	38	10.5

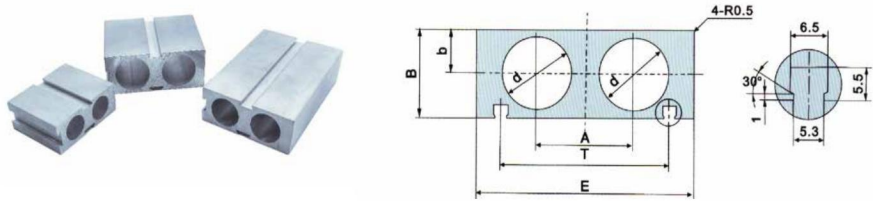
铝合金SMC标准双轴气缸筒

Aluminum alloy SMC TWIN-ROD cylinder tube

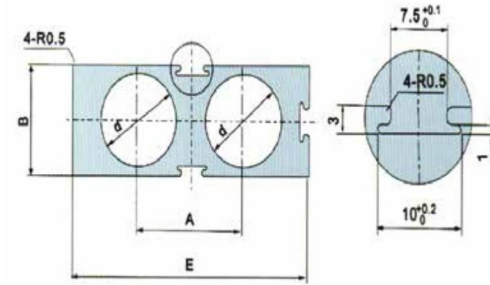


铝合金亚德客标准双轴气缸筒 TN

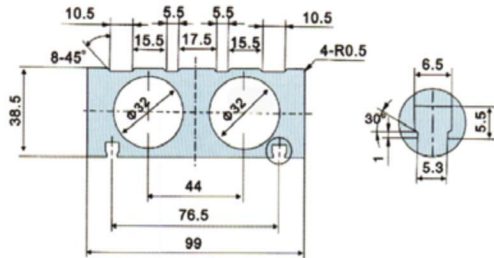
Aluminum alloy ARITAC TWIN-ROD cylinder tube TN



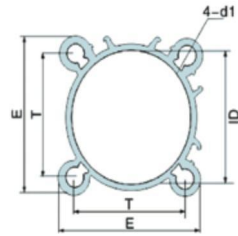
NO	d	E	A	T	B	b
1	φ 10	46.3	20	36	17.3	7
2	φ 15	59	25	48.5	20.5	10.5
3	φ 20	65	28	53.5	25.5	12.75
4	φ 25	81	35	65.5	30.5	15.25
5	φ 32	如下图所示Pls refer to below drawing				



NO	d	E	A	B
1	φ 10	42	18	17
2	φ 16	54	24	21
3	φ 20	62	28	25
4	φ 25	73	34	30
5	φ 32	96	42	40

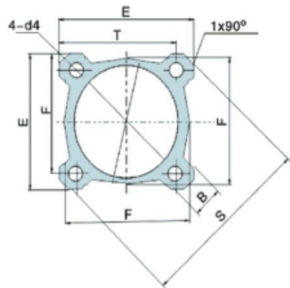


◎ 欧洲标准米字型气缸管A型系列
European standard Mickey Mouse Cylinder Tube A Series



型号CODE	ID	E*E	T*T	4-D1
LMIC-032	32	42.5 x 42.5	32.5 x 32.5	5.4
LMIC-040	40	49.64 x 49.64	38 x 38	5.4
LMIC-050	50	59.75 x 59.75	46.5 x 46.5	7.4
LMIC-063	63	69.5 x 69.5	56.5 x 56.5	7.4
LMIC-080	80	86 x 86	72 x 72	9.1
LMIC-100	100	105.5 x 105.5	89 x 89	9.1
LMIC-125	125	131 x 131	110 x 110	10.6

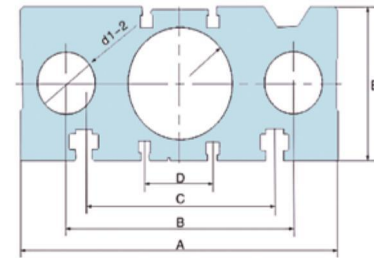
◎ 欧洲标准米字型B系列
European standard Mickey mouse type B series



NO	d	E	F	T	A	B	S	d1
1	φ32	43.7 x 43.7	37 x 37	32.5 x 32.5	36	11	57	φ5.5
2	φ40	49.1 x 49.1	45.5 x 45.5	38 x 38	44.2	10.9	64.7	φ5.5
3	φ50	61 x 61	57 x 57	46.5 x 46.5	55.1	14	80	φ6.8
4	φ63	71.3 x 71.3	71 x 71	56.65 x 56.65	68.6	14	94.84	φ6.8
5	φ80	90.4 x 90.4	88.7 x 88.7	72 x 72	86	18	119.2	φ8.5
6	φ200	214.5 x 214.5	212 x 212	175 x 175	210	26	289	φ16.5

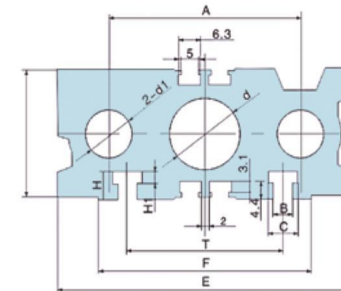
◎ 铝合金TCN系列薄型气缸筒

Aluminum alloy TCN cylinder tube



主要技术参数TCM系列
The main technical parameters

NO	d	d1-2	A	B	C	D	E
1	φ12	φ9.3	58	41	37	9	26
2	φ16	φ11	64	46	38	10.5	30
3	φ20	φ13	83	54	44	12.5	36
4	φ25	φ17	93	64	50	15	42
5	φ32	φ22	112	78	63	19.5	48
6	φ40	φ22	120	86	72	25	54
7	φ50	φ27	148	110	92	33	64
8	φ63	φ27	162	124	110	34	78
9	φ80	φ34	202	156	140	48	91.5

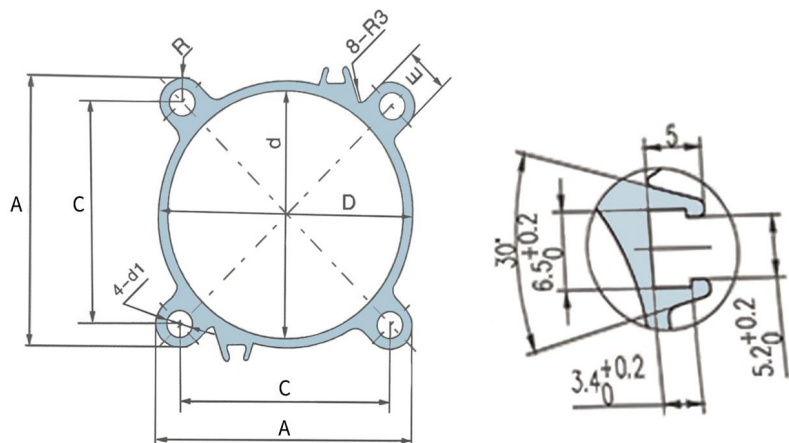


MGP系列
MGP Series

NO	d	2-d1	E	F	T	S	H	H1	A	B	C
1	φ12	φ9.5	58	50	37	25	6	3	41	4.4	7
2	φ16	φ11	64	50	38	30.2	4.8	2	46	3.7	6.2
3	φ20	φ13.5	83	60	44	36.2	7.8	3.5	54	5.5	8.5
4	φ25	φ17.5	93	68	54	42	8	3.5	64	5.5	8.5
5	φ32	φ21	112	75	63	48	8	4	78	6.5	10.2
6	φ40	φ21	120	89	72	54	11	5.5	86	6.7	11
7	φ50	φ26.5	148	118	92	64	11.8	7.8	110	8.3	13.5
8	φ63	φ26.5	162	143	110	78	17	10	124	11	17.8
9	φ80	φ31.5	202	180	140	92	22	11	156	13	20

铝合金带槽米字型系列气缸筒 DNT

Aluminum Mickey Mouse Type Cylinder Tube with Groove DNT

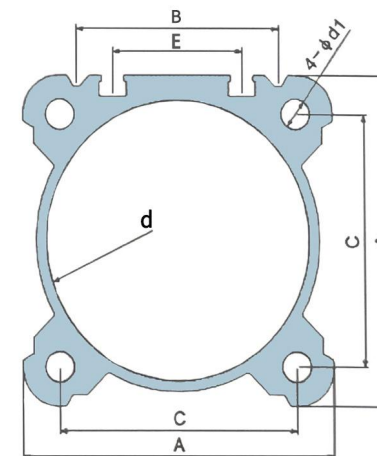


SQ tube
32-125mm

NO	d	E	A	C	4-φd1	Thick
1	φ32	42.5	42.5	32.5	φ5.2	2
2	φ40	48	48	38	φ5.2	2
3	φ50	58.5	58.5	46.5	φ6.8	2.5
4	φ63	68.5	68.5	56.5	φ6.8	2.5
5	φ80	86	86	72	φ8.7	3
6	φ100	104	104	89	φ8.7	3

铝合金DSBC(φ32-125)系列标准气缸筒

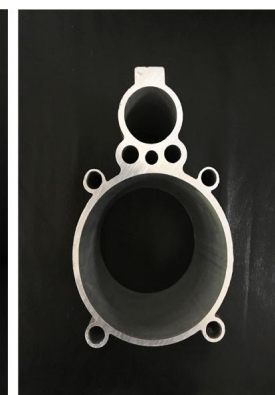
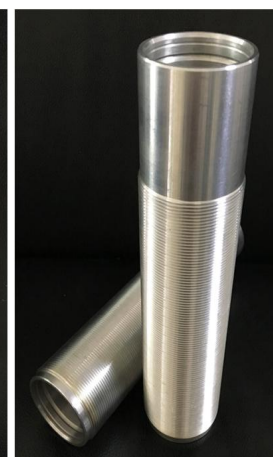
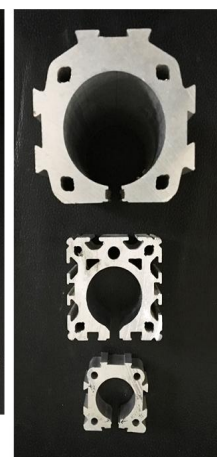
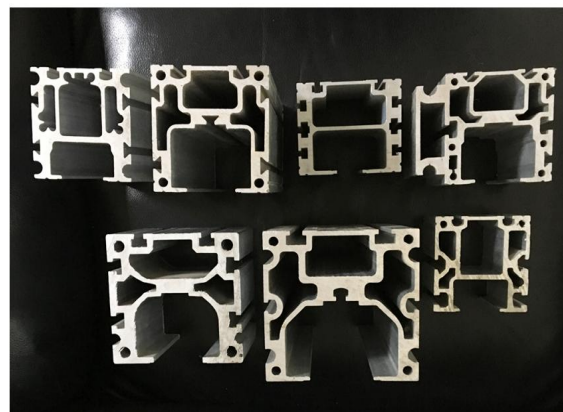
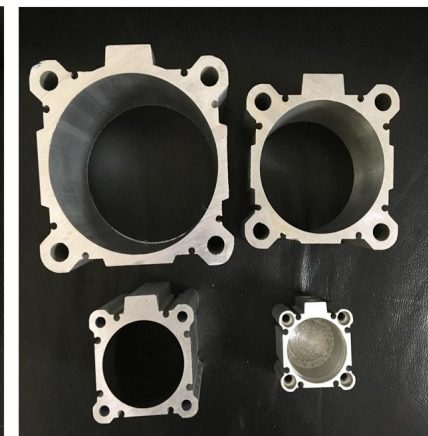
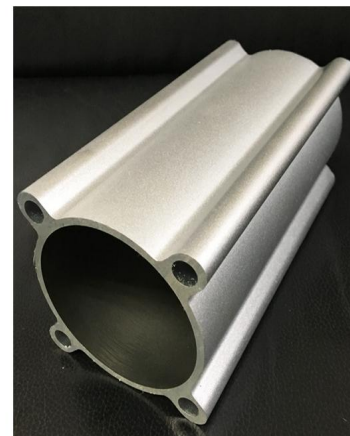
Aluminum DSBC(φ32-125) Series Standard Cylinder Tube



DSBC tube
32-100mm

NO	d	E	A	C	4-φd1	B
1	φ32	13.5	45	32.5	φ5.3	27
2	φ40	17	53	38	φ5.3	34.9
3	φ50	22	63	46.5	φ6.8	38
4	φ63	31	74	56.5	φ6.8	48.5
5	φ80	35	92	72	φ8.9	60.5
6	φ100	48	109.5	89	φ8.9	78
7	φ125	54	134	110	φ10.3	90

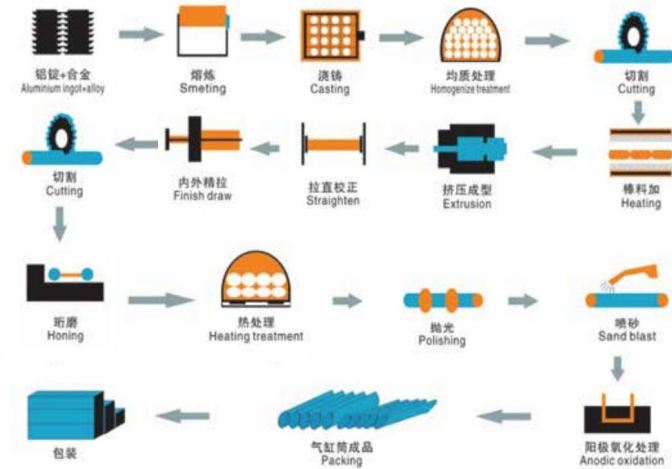
产品实拍图鉴赏
Real picture of product





TECHNICAL NOTE 技术说明

生产流程图



材质

Aluminum alloy cylinder is one of the main raw materials for automatic cylinder production. The cylinder material of the company is 6063-T5 after hard anodizing treatment, with good cutting performance. Good wear resistance, corrosion resistance and other advantages, especially after internal and external oxidation of aluminum gold cylinder material greatly improve the quality of products, prolong the service life.

铝合金汽缸是汽缸自动化生产的主要原料之一。本公司汽缸材质为6063-T5，经硬质阳极氧化处理，切削性能好，具有良好的耐磨性、耐腐蚀性等优点，特别是经过内外氧化处理的铝合金缸体材料

化学成分 Chemical Composition		Mg	Si	Fe	Cu	Mn	Cr	Zn	Ti
		0.81	0.41	0.23	<0.08	<0.08	<0.04	<0.02	<0.05
Specification for Al Tubes									
力学性能 力学性能	指标名称	拉力强度 Tension Intensity (N/mm ²)	屈服强度 Yield Strength (N/mm ²)	延伸度 Ductility (%)	硬度 Suctility Hardness	内径公差 Internak Diameter Accuracy	内表面粗糙度 Internal Roughness	直线度 Straightness	厚度公差 Thickness Error
	检验结果	Sb 157	S0.2 108	S 8	He12	H11	Ra≤0.6	1/1000	±1%

PARTNER AND ENTERPRISE CERTIFICATE HONORS 公司合作伙伴和企业证书



全球知名气动器材生产厂家

让科技律动生命
中国家用医疗用品领导者，上市公司

佛山市广顺电器有限公司
无油空气压缩机专业生产厂家

广东省肇庆方大气动有限公司
大规模

合作伙伴partener



相关证书enterprise certificate honors