

Instruction manual for DATS

Overview

DATS series pumps are horizontal volute double suction pumps. This series of pumps is a unique new product developed by our company that combines the strengths of others.

The transmission is driven by an electric motor through a flexible coupling.

Direction of rotation: Forward rotation is clockwise when viewed from the drive end, and reverse rotation is counterclockwise when viewed from the drive end.

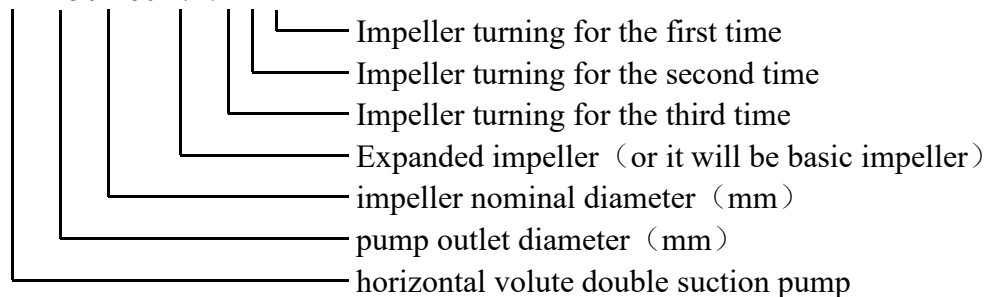
It is mainly used in power stations, tap water, municipal administration, construction, fire protection, industrial and mining enterprises and other industries to transport water or other media with physical and chemical properties similar to fresh water.

Technical parameter

- pump outlet diameter: DN=80~1600mm
- flow range: $Q=50\sim 36330\text{m}^3/\text{h}$
- head: Maximum $H=160$
- working temperature: Maximum $T=105^\circ\text{C}$

Model type instruction

DATS150-460 (1) CBA



Structure description and diagram

1. Structure description

DATS series pumps have a built-in sealing lubrication structure, and the sealing circulating water lubricates the pump sealing system, making flushing more direct and effective. The straight-line appearance with the addition of strong ribs on the pump cover, the built-in sealing and lubricating structure make the overall structure of the pump integrated.

The suction inlet and outlet of the DATS series pump body are both under the pump body, so that the rotor can be taken out without disassembling the series of pipelines, making maintenance easy.

Most pump bodies adopt a double flow channel design to reduce radial force. The pump body and pump cover are all made of resin sand plate molding to ensure the appearance and flow channel size as well as the hydraulic efficiency of the pump.

The impeller is dynamically balanced to ensure smooth operation of the pump and reduced noise.

The shaft distance is shortened and the shaft diameter is increased to extend the service life of the bearings and mechanical seals. The shaft is a fully sealed structure, ensuring no contact with the medium, no rust, and long service life. The shaft sleeve can be made of a variety of different materials according to the needs of different users to prevent shaft wear and corrosion. The shaft seal adopts packing seal or mechanical seal, and the sealing device can be replaced without disassembling the pump cover.

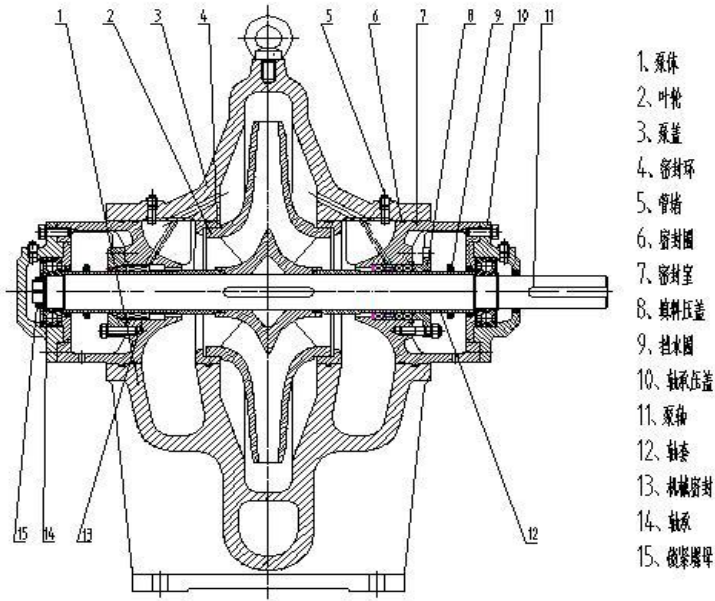
Bearings and lubrication are grease lubricated.

The seal cooling and lubrication pipelines are contrary to the traditional double-suction pump external circulation structure, and are directly installed in the pump cover and seal frame. Water enters the mechanical seal chamber (packing) from the pump pressure chamber along the pipeline, realizing cooling, It has lubrication and flushing functions, and at the same time prevents air from entering the water absorption chamber along the seal when the pump is started, ensuring the good operation of the unit.

The built-in cooling, lubrication and flushing seal pipeline has a simple structure and stable operation, eliminating the need for cumbersome external circulation pipeline devices and the resulting structural changes in the pump components. Achieving compact overall structure and beautiful appearance.

For the standard type, when viewed from the drive direction, the rotation direction of the pump is clockwise. For the special type, when viewed from the drive direction, the rotation direction of the pump is counterclockwise.

2. Diagram



四川中瑛工业泵有限公司
 Sichuan Zhongying Industrial Pump Co., Ltd

DATS performance sheet

Model type	Flow range		Head (m)	Speed r/min	Power (Kw)		Efficiency η	(m) NPSHr
	m ³ /h	L/s			Shaft power	Motor power		
DATS80-270	147	40.8	112	2980	60.6	90	74	4.5
	210	58.3	100		71.5		80	
	252	70	90		79.2		78	
DATS80-270A	141	39.2	101	2980	52.4	75	74	4.5
	201	55.8	92		63.7		79	
	241	66.9	82		69.9		77	
DATS80-270B	134	37.2	95	2980	46.8	75	74	4.5
	192	53.5	85		56.6		78.5	
	230	63.9	76		61.8		77	
DATS80-270C	128	35.6	87	2980	42.1	55	72	4.5
	183	50.8	78		49.8		78	
	206	57.2	70		51		77	
DATSS80-270(I)	107	29.7	89	2980	36	55	72	4.5
	153	42.5	79		42.2		78	
	184	51.1	70		45.5		77	
DATSS80-270(I)A	102	28.3	81	2980	31.2	45	72	4.5
	146	40.6	72		37.2		77	
	175	48.6	65		40.7		76	
DATS80-270(I)B	98	27.2	78	2980	29.3	45	71	4.5
	140	38.9	67		33.4		76.5	
	168	46.7	61		37.2		75	
DATSS80-270(I)C	94	26.1	69	2980	24.9	37	71	4.5
	134	37.2	62		29.8		76	
	161	44.7	55		32.1		75	
DATS100-310	259	71.9	148	2980	135.5	200	77	6.5
	370	102.8	128		157.2		82	
	444	123.3	110		166.2		80	
DATS100-310A	248	68.9	135	2980	118.4	160	77	6.5
	354	98.3	117		137.5		82	
	425	118.1	102		147.5		80	
DATS100-310B	237	65.8	122	2980	104.9	160	75	6.5
	338	93.9	108		122.7		81	
	406	112.8	95		132.9		79	
DATS100-310C	226	62.8	115	2980	95.6	132	74	6.5
	323	89.7	100		109.9		80	
	388	107.8	90		121.9		78	
DATS100-310(I)	204	56.7	128	2980	93.5	132	76	6.5
	291	80.8	112		109.5		81	
	349	96.9	98		117.9		79	
DATS100-310(I)A	195	54.2	120	2980	83.8	110	76	6.5
	278	77.2	105		98.1		81	
	322	89.4	92		102.1		79	

Model type	Flow range		Head (m)	Speed r/min	Power (Kw)		Efficiency η	(m) NPSHr
	m ³ /h	L/s			Shaft power	Motor power		
DATS100-310(I) B	186	51.7	109	2980	73.6	110	75	6.5
	266	73.9	95		86		80	
	319	88.6	82		91.3		78	
DATS100-310(I) C	178	49.4	100	2980	65.5	90	74	6.5
	254	70.6	88		77		79	
	289	80.3	80		81.7		77	
DATS80-210	60	16.7	17	1480	3.6	5.5	78	2.1
	85	23.6	15		4.2		83	
	102	28.3	13.8		4.7		81	
DATS80-210A	57	15.8	15.8	1480	3.1	5.5	78	2.1
	81	22.5	14		3.7		83	
	97	26.9	12.4		4		81	
DATS80-210B	55	15.3	14.8	1480	2.9	4	77	2.1
	78	21.7	13		3.4		82	
	94	26.1	11		3.5		80	
DATS80-210C	52	14.4	13.8	1480	2.6	4	76	2.1
	74	20.6	12		3		81	
	89	24.7	10.8		3.3		79	
DATS80-210(I)	47	13.1	14.8	1480	2.5	4	76	2.1
	67	18.6	13		2.9		81	
	80	22.2	11		3		79	
DATS80-210(I)A	45	12.5	13.8	1480	2.2	4	76	2.1
	64	17.8	12		2.6		81	
	77	21.4	10.5		2.8		79	
DATS80-210(I)B	43	11.9	12.6	1480	2	3	75.	2.1
	61	16.9	11		2.3		80	
	73	20.3	9.8		2.5		78	
DATS80-210(I)C	41	11.4	11.4	1480	1.7	3	75	2.1
	58	16.1	10		2		80	
	70	19.4	9		2.2		78	
DATS80-270	74	20.6	28	1480	7.5	11	75	2.8
	105	29.2	25		8.9		80	
	126	35	22		9.7		78	
DATS80-270A	70	19.4	26	1480	6.6	11	75	2.8
	100	27.8	23		7.8		80	
	120	33.3	21		8.8		78	
DATS80-270B	67	18.6	23	1480	5.7	11	73	2.8
	96	26.7	21		6.9		79	
	115	31.9	18		7.3		77	
DATS80-270C	64	17.8	22	1480	5.3	7.5	72	2.8
	91	25.3	19		6		78	
	109	30.3	17		6.6		76	

Model type	Flow range		Head (m)	Speed r/min	Power (Kw)		Efficiency η	(m) NPSHr
	m ³ /h	L/s			Shaft power	Motor power		
DATS80-270(I)	57	15.8	25	1480	5.2	7.5	74	2.8
	82	22.8	22		6.2		79	
	98	27.2	19		6.6		77	
DATS80-270(I)A	55	15.3	23	1480	4.7	7.5	74	2.8
	79	21.9	20		5.4		79	
	95	26.4	17		5.7		77	
DATS80-270(I)B	53	14.7	20	1480	4	5.5	73	2.8
	75	20.8	18		4.7		78	
	90	25	16		5.2		76	
DATS-80-270(I)C	50	13.9	19	1480	3.5	5.5	73	2.8
	72	20	17		4.3		78	
	86	23.9	15		4.6		76	
DATS80-370	81	22.5	43	1480	13.4	22	71	2.8
	115	31.9	40		16.5		76	
	138	38.3	35		17.8		74	
DATS80-370A	77	21.4	40	1480	8	18.5	71	2.8
	110	30.6	37		14.6		76	
	132	36.7	32		15.5		74	
DATS80-370B	74	20.6	36	1480	10.4	15	70	2.8
	105	29.2	33		12.6		75	
	126	35	29		13.6		73	
DATS80-370C	70	19.4	34	1480	9.4	15	69	2.8
	100	27.8	31		11.4		74	
	120	33.3	27		12.3		72	
DATS80-370(I)	63	17.5	38	1480	9.4	15	70	2.8
	90	25	35		11.4		75	
	108	30	30		12.1		73	
DATS80-370(I)A	61	16.9	35	1480	8.3	15	70	2.8
	87	24.2	32		10.1		75	
	104	28.9	28		10.9		73	
DATS80-370(I)B	57	15.8	32.5	1480	7.3	11	69	2.8
	82	22.8	29		8.7		74	
	98	27.2	26		9.6		72	
DATS80-370(I)C	55	15.3	30	1480	6.5	11	69	2.8
	79	21.9	27		7.8		74	
	95	26.4	24		8.6		72	
DATS100-250	102	28.3	23	1480	8.1	11	79	2.9
	145	40.3	20		9.4		84	
	174	48.3	17		9.8		82	
DATS100-250A	97	26.9	20	1480	6.8	11	78	2.9
	139	38.6	18		8.2		83	
	167	46.4	16		9		81	

DATS100-250B	92	25.6	19	1480	6.1	11	78	2.9
	132	36.7	17		7.4		83	
	158	43.9	15		8		81	
DATS100-250C	88	24.4	17	1480	5.3	7.5	77	2.9
	126	35	15		6.3		82	
	151	41.9	13.8		7.1		80	
DATS100-250(I)	80	22.2	20	1480	5.6	11	78	2.9
	114	31.7	18		6.7		83	
	137	36.7	16		7.1		81	
DATS100-250(I)A	76	21.1	18	1480	4.8	7.5	77	2.9
	109	30.3	16		5.8		82	
	127	35.3	14		6.1		80	
DATS100-250(I)B	73	20.3	17	1480	4.4	7.5	77	2.9
	104	28.9	15		5.2		82	
	125	34.7	13.8		5.9		80	
DATS100-250(I)C	69	19.2	15.8	1480	3.9	5.5	76	2.9
	99	27.5	14		4.7		81	
	119	33.1	12.4		5.1		79	
DATS100-310	130	36.1	35	1480	16.1	30	77	3.1
	185	51.4	32		19.7		82	
	210	58.3	28		20		80	
DATS100-310A	124	34.4	32.5	1480	4	22	76	3.1
	177	49.2	29		17.3		81	
	202	56.1	26		18.1		79	
DATS100-310B	118	32.8	30	1480	12.7	18.5	76	3.1
	169	46.9	27		5.3		81	
	196	54.4	24		16.2		79	
ZS100-310C	113	31.4	28	1480	11.5	18.5	75	3.1
	161	44.7	25		13.7		80	
	185	51.4	22		14.2		78	
DATS100-310(I)	102	28.3	31	1480	11.3	18.5	76	3.1
	145	40.3	28		13.6		81	
	165	45.8	25		14		80	
DATS100-310(I)A	97	26.9	29	1480	10.2	15	75	3.1
	139	38.6	26		12.3		80	
	156	43.3	23		12.5		78	
DATS100-310(I)B	93	25.8	26	1480	8.9	15	74	3.1
	133	36.9	23		10.5		79	
	152	42.2	21		11.3		77	
DATS100-310(I)C	89	24.7	24.5	1480	8	11	74	3.1
	127	35.3	22		9.6		79	
	145	40.3	19		9.7		77	

DATS100-375	130	36.1	58	1480	28.5	45	72	3.0
	185	51.4	52		34		77	
	222	61.7	44		35.5		75	
DATS100-375A	124	34.4	55	1480	26.1	37	71	3.0
	177	49.2	48		30.4		76	
	212	58.9	42		32.8		74	
DATS100-375B	118	32.8	50	1480	22.9	37	70	3.0
	169	46.9	43		26.4		75	
	203	56.4	37		28		73	
DATS100-375C	113	31.4	44	1480	9.6	30	69	3.0
	161	44.7	40		23.7		74	
	193	53.6	34		24.8		72	
DATS100-375(I)	89	24.7	57	1480	19.5	30	71	3.0
	127	35.3	51		23.2		76	
	152	42.2	43.5		24.3		74	
DATS100-375(I)A	85	23.6	54	1480	17.9	30	70	3.0
	122	33.9	47		20.8		75	
	146	40.6	41		22.3		73	
DATS100-375(I)B	81	22.5	48	1480	15.3	22	69	3.0
	116	32.2	42		17.9		74	
	139	38.6	36		18.9		72	
DATS100-375(I)C	78	21.7	42	1480	13.1	18.5	68	3.0
	111	30.8	39		16.1		73	
	133	36.9	34		17.3		71	
DATS125-230	193	53.6	17	1480	10.9	18.5	82	2.3
	275	76.4	15		12.9		87	
	315	87.5	13.8		13.9		85	
DATS125-230A	185	51.4	15.8	1480	9.7	15	82	2.3
	264	73.3	14		11.6		87	
	306	85	12.4		12.2		85	
DATS125-230B	176	48.9	14.8	1480	8.8	15	81	2.3
	251	69.7	13		10.3		86	
	296	82.2	11.5		11		84	
DATS125-230C	168	46.7	13.8	1480	7.8	11	81	2.3
	240	66.7	12		9.1		86	
	288	80	10.5		9.8		84	
DATS125-230(I)	142	39.4	15.8	1480	7.4	11	82	2.3
	203	56.4	14		8.9		87	
	244	67.8	12.4		9.7		85	
DATS125-230(I)A	137	38.1	14.8	1480	6.8	11	81	2.3
	195	54.2	13		8		86	
	234	65	11.5		8.7		84	

DATS125-230(I)B	130	36.1	13.8	1480	6	11	81	2.3
	185	51.4	12		7		86	
	222	61.7	10.5		7.6		84	
DATS125-230(I)C	124	34.4	12.6	1480	5.3	7.5	80	2.3
	177	49.2	11		6.2		85	
	212	58.9	9.8		6.8		83	
DATS125-290	188	52.2	30	1480	19.2	30	80	2.4
	269	74.7	27		23.3		85	
	323	89.7	24		25.4		83	
DATS125-290A	181	50.3	28	1480	17.2	30	80	2.4
	258	71.7	25		20.7		85	
	310	86.1	22		22.4		83	
DATS125-290B	172	47.8	24.5	1480	14.5	22	79	2.4
	264	68.3	22		17.5		84	
	295	81.9	19		18.6		82	
DATS125-290C	165	45.8	23	1480	13.1	18.5	79	2.4
	235	65.3	21		16		84	
	282	78.3	18		16.9		82	
DATS125-290(I)	148	41.1	27	1480	13.8	22	79	2.4
	211	58.6	24		16.4		84	
	253	70.3	21		17.6		82	
DATS125290(I)A	142	39.4	24.5	1480	12	18.5	79	2.4
	203	56.4	22		14.5		84	
	244	67.8	19		15.4		82	
DATS125-290(I)B	137	38.1	23	1480	11	15	78	2.4
	196	54.4	20		12.9		83	
	235	65.3	17.5		13.8		81	
DATS125-290(I)C	129	35.8	21	1480	9.6	15	77	2.4
	184	51.1	18		11		82	
	221	61.4	16		12		80	
DATS125-365	216	60	54	1480	39.7	55	80	2.6
	309	85.8	47		46.5		85	
	371	103.1	41		49.3		84	
DATS125-365A	207	57.5	50	1480	35.7	55	79	2.6
	296	82.2	43		41.2		84	
	355	98.6	37		43.6		82	
DATS125-365B	197	54.7	43	1480	29.6	45	78	2.6
	282	78.3	39		36.1		83	
	338	93.9	33		37.5		81	
DATS125-365C	189	52.5	39	1480	26.1	37	77	2.6
	270	75	36		32.3		82	
	324	90	31		34.2		80	

DATS125-365(I)	170	47.2	45	1480	26.7	45	78	2.6
	243	67.5	41		32.7		83	
	292	81.1	35.5		34.4		82	
DATS125-365(I)A	163	45.3	41	1480	23.6	37	77	2.6
	233	64.7	38		29.4		82	
	280	77.8	33		31.4		80	
DATS125-365(I)B	155	43.1	38	1480	21.1	30	76	2.6
	222	61.7	35		26.1		81	
	266	73.9	30		27.5		79	
DATS125-365(I)C	148	41.1	35	1480	18.8	30	75	2.6
	212	58.9	32		23.1		80	
	254	70.6	28		24.8		78	
DATS125-500	232	64.4	81	1480	65.6	90	78	2.8
	331	91.9	75		81.4		83	
	385	106.9	67		85.6		82	
DATS125-500A	223	61.9	75	1480	59.1	90	77	2.8
	318	88.3	69		72.8		82	
	375	104.2	63		80.4		80	
DATS125-500B	211	58.6	68	1480	51.4	75	76	2.8
	302	83.9	63		63.9		81	
	362	100.6	56		69.9		79	
DATS125-500C	202	56.1	62	1480	45.5	75	75	2.8
	289	80.3	58		57		80	
	347	96.4	50		60.6		78	
DATS125-500(I)	182	50.6	72	1480	46.3	75	77	2.8
	260	72.2	66		57		82	
	312	86.7	60		63.7		80	
DATS125-500(I)A	175	48.6	66	1480	41.4	75	76	2.8
	250	69.4	61		51.3		80	
	300	83.3	56		57.9		79	
DATS125-500(I)B	166	46.1	60	1480	36.2	55	75	2.8
	237	65.8	55		44.4		80	
	284	78.9	48		47.6		78	
DATS125-500(I)C	159	44.2	55	1480	32.2	45	74	2.8
	227	63.1	51		39.9		79	
	272	75.6	43.5		41.8		77	
DATS150-290	312	86.7	23	1480	23.8	37	82	3.2
	445	123.6	21		29.2		87	
	534	148.3	18		31.2		84	
DATS150-290A	299	83.1	22	1480	22.1	30	81	3.2
	427	118.6	19		25.7		86	
	512	142.2	17		28.5		83	

DATS150-290B	284	78.9	20	1480	19.1	30	81	3.2
	406	112.8	18		23.1		86	
	487	135.3	16		25.6		83	
DATS150-290C	272	75.6	18	1480	16.7	22	80	3.2
	388	107.8	16		19.9		85	
	445	123.6	14		20.7		82	
DATS150-290(I)	244	67.8	21	1480	17.2	22	81	3.2
	349	96.8	18		19.9		86	
	402	111.7	16		20.8		84	
DATS150-290(I)A	235	65.3	19	1480	15	22	81	3.2
	335	93.1	17		18		86	
	392	108.9	15		19.1		84	
DATS150-290(I)B	223	61.9	17	1480	12.9	18.5	80	3.2
	319	88.6	15		15.3		85	
	383	106.4	13.8		17.3		83	
DATS150-290(I)C	214	59.4	15.8	1480	11.5	18.5	80	3.2
	305	84.7	14		13.7		85	
	346	96.1	12.4		14.1		83	
DATS150-360	313	86.9	41	1480	43.1	75	81	3.2
	447	124.2	38		53.8		86	
	536	148.9	32.5		56.6		84	
DATS150-360A	300	83.8	38	1480	38.8	55	80	3.2
	429	119.2	35		48.1		85	
	515	143.1	30.5		51.5		83	
DATS150-360B	286	79.4	35	1480	34.1	55	80	3.2
	408	113.3	32		41.8		85	
	476	132.2	28		43.7		83	
DATS150-360C	273	75.8	32.5	1480	30.6	45	79	3.2
	390	108.3	29		36.7		84	
	468	130	26		40.4		82	
DATS150-360(I)	246	68.3	36	1480	30.1	45	80	3.2
	351	97.5	33		37.1		85	
	421	116.9	29		40		83	
DATS150-360(I)A	236	65.6	34	1480	27.6	45	79	3.2
	337	93.6	31		33.9		84	
	396	110	27		35.5		82	
DATS150-360(I)B	224	62.2	31	1480	24.2	37	78	3.2
	320	88.9	28		29.4		83	
	384	106.7	24		31		81	
DATS150-360(I)C	214	59.4	29	1480	21.9	30	77	3.2
	306	85	26		26.4		82	
	367	101.9	23		28.7		80	

DATS150-460	351	97.5	76	1480	93.1	132	78	3.5
	501	139.2	66		108.4		83	
	601	166.9	59		117.7		82	
DATS150-460A	337	93.6	67	1480	79.8	110	77	3.5
	481	133.6	61		97.4		82	
	577	160.3	53		102.8		81	
DATS150-460B	321	89.2	60	1480	69	110	76	3.5
	458	127.2	55		84.7		81	
	550	152.8	47		88		80	
DATS150-460C	306	85	57	1480	63.8	90	75	3.5
	437	121.4	51		75.8		80	
	524	145.6	43		78.6		78	
DATS150-460(I)	276	76.7	62	1480	61.3	90	76	3.5
	394	109.4	58		76.8		81	
	473	131.4	50		81.5		79	
DATS150-460(I)A	265	73.6	59	1480	56.7	75	75	3.5
	378	105	53		68.2		80	
	454	126.1	46		72.9		78	
DATS100-460(I)B	251	69.7	56	1480	51.7	75	74	3.5
	359	99.7	49		60.6		79	
	431	119.7	43		65.5		77	
DATS100-460(I)C	240	66.7	53	1480	47.4	75	73	3.5
	343	95.3	45		53.9		78	
	412	114.4	39		57.6		76	
DATS150-605	368	102.2	112	1480	145.7	200	77	4.0
	525	145.8	105		183		82	
	602	167.2	97		193.9		82	
DATS150-605A	353	98.1	105	1480	132.8	200	76	4.0
	504	140	96		162.6		81	
	585	162.5	87		173.2		80	
DATS150-605B	335	93.1	95	1480	115.5	160	75	4.0
	479	133.1	87		141.8		80	
	565	156.9	79		155.8		78	
DATS150-605C	321	89.2	88	1480	103.9	160	74	4.0
	458	127.2	81		127.8		79	
	550	152.8	73		141.9		77	
DATS150-605(I)	288	80	101	1480	105.6	160	75	4.0
	412	114.4	92		129		80	
	494	137.2	82		141.4		78	
DATS150-605(I)A	277	76.9	95	1480	96.8	132	74	4.0
	395	109.7	85		115.7		79	
	474	131.7	76		127.4		77	

DATS150-605(I)B	263	73.1	86	1480	84.3	110	73	4.0
	376	104.4	77		101		78	
	432	120	69		105.4		77	
DATS150-605(I)C	252	70	80	1480	76.2	110	72	4.0
	360	100	71		90.4		77	
	425	118.1	63		97.2		75	
DATS200-250	477	132.5	22	1480	34.4	55	83	4.5
	681	189.2	20		42.1		88	
	768	213.3	18		43.8		86	
DATS200-250A	457	126.9	20	1480	30.3	45	82	4.5
	635	181.4	18		36.8		87	
	784	217.8	16		40.2		85	
DATS200-250B	435	120.8	18	1480	26.3	37	81	4.5
	621	172.5	16		31.5		86	
	745	206.9	14.8		35.7		84	
DATS200-250C	416	115.6	15.8	1480	22.4	30	80	4.5
	594	165	14		26.6		85	
	682	189.4	12.4		27.7		83	
DATS200-250(I)	375	104.2	18	1480	22.7	37	81	4.5
	535	148.6	16		27.1		86	
	632	175.6	14		28.7		84	
DATS200-250(I)A	359	99.7	17	1480	20.8	30	80	4.5
	513	142.5	15		24.6		85	
	616	171.1	13.8		27.9		83	
DATS200-250(I)B	342	95	14.8	1480	17.4	30	79	4.5
	488	135.6	13		20.6		84	
	572	158.9	11		20.9		82	
DATS200-250(I)C	326	90.6	13.8	1480	15.7	22	78	4.5
	466	129.4	12		18.3		83	
	559	155.3	10.5		19.7		81	
DATS200-320	486	135	33.5	1480	53.4	75	83	4.2
	694	192.8	30		64.4		88	
	833	231.4	26		68.6		86	
DATS200-320A	466	129.4	32	1480	49.5	75	82	4.2
	666	185	28		58.3		87	
	799	221.9	25		64		85	
DATS200-320B	444	123.3	28	1480	41.8	75	81	4.2
	634	176.1	25		50.2		86	
	732	203.3	22		52.2		84	
DATS200-320C	424	117.8	26	1480	37.5	55	80	4.2
	606	168.3	23		44.6		85	
	727	210.9	21		50.1		83	

DATS200-320(I)	382	106.1	29	1480	37.2	55	81	4.2
	546	151.7	26		44.9		86	
	655	181.9	23		48.8		84	
DATS200-320(I)A	367	101.9	27	1480	33.7	45	80	4.2
	524	145.6	24		40.3		85	
	629	174.7	21		43.3		83	
DATS200-320(I)B	349	96.9	25	1480	30.1	45	79	4.2
	498	138.3	22		35.5		84	
	598	166.1	19		37.7		82	
DATS200-320(I)C	333	92.5	22.5	1480	26.1	37	78	4.2
	476	132.2	20		31.2		83	
	571	158.6	17		32.6		81	
DATS200-420	496	137.8	58	1480	95.5	132	82	4.2
	708	196.7	52		115.2		87	
	850	236.1	44		119.8		85	
DATS200-420A	475	131.9	55	1480	87.8	110	81	4.2
	679	188.6	48		103.2		86	
	786	218.3	42		107		84	
DATS200-420B	452	125.6	50	1480	76.9	110	80	4.2
	646	179.4	43		89		85	
	775	215.3	37		94		83	
DATS200-420C	432	120	44	1480	65.5	90	79	4.2
	617	171.4	40		80		84	
	740	205.6	34		83.5		82	
DATS200-420(I)	389	108.1	53	1480	70.2	90	80	4.2
	556	154.4	46		81.9		85	
	667	185.3	40		87.5		83	
DATS200-420(I)A	373	103.6	48	1480	61.7	90	79	4.2
	533	148.1	42		72.5		84	
	640	177.8	36		76.5		82	
DATS200-420(I)B	356	98.9	41	1480	50.9	75	78	4.2
	508	141.1	38		63.3		83	
	610	169.4	33		67.7		81	
DATS200-420(I)C	340	94.4	38	1480	45.7	75	77	4.2
	485	134.7	35		56.4		82	
	582	161.7	30		59.4		80	
DATS200-520	574	159.4	101	1480	197.3	280	80	4.5
	820	227.8	92		241.6		85	
	984	273.3	82		264.6		83	
DATS200-520A	551	153.1	95	1480	180.4	250	79	4.5
	787	218.6	85		216.8		84	
	944	262.2	76		238.2		82	

DATS200-520B	524	145.6	86	1480	157.3	220	78	4.5
	749	208.1	77		189.2		83	
	899	249.7	68		205.5		81	
DATS200-520C	501	139.2	80	1480	141.7	200	77	4.5
	715	198.6	71		168.5		82	
	858	238.3	64		186.9		80	
DATS200-520(I)	442	122.8	86	1480	132.7	200	78	4.5
	632	175.6	77		159.6		83	
	758	210.6	68		173.2		81	
DATS200-520(I)A	424	117.8	80	1480	119.9	160	77	4.5
	606	168.3	71		142.8		82	
	708	196.7	64		154.2		80	
DATS200-520(I)B	404	112.2	73	1480	105.6	160	76	4.5
	577	160.3	64		124.1		81	
	692	192.2	57		135.9		79	
DATS200-520(I)C	386	107.2	64	1480	89.7	132	75	4.5
	551	153.1	59		110.6		80	
	661	183.6	51		117.7		78	
DATS200-670	556	154.4	160	1480	314.5	450	77	4.5
	794	220.6	150		395.5		82	
	920	255.6	136		425.8		80	
DATS200-670A	533	148.1	148	1480	282.6	400	76	4.5
	762	211.7	138		353.4		81	
	882	245	126		382.9		79	
DATS200-670B	508	141.1	137	1480	252.6	355	75	4.5
	725	201.4	125		308.4		80	
	852	236.7	115		342		78	
DATS200-670C	485	134.7	126	1480	224.8	315	74	4.5
	693	192.5	115		274.6		79	
	832	231.1	100		294.1		77	
DATS200-670(I)	437	121.4	145	1480	230	315	75	4.5
	624	173.3	132		280.3		80	
	706	196.1	125		308		78	
DATS200-670(I)A	419	116.4	130	1480	200.4	280	74	4.5
	599	166.4	121		249.8		79	
	685	190.3	112		271.2		76	
DATS200-670(I)B	399	110.8	120	1480	178.5	250	73	4.5
	570	158.3	110		218.8		78	
	648	180	102		236.7		76	
DATS200-670(I)C	381	105.8	110	1480	158.5	250	72	4.5
	544	151.1	102		196.2		77	
	653	181.4	95		225.2		75	

DATS250-280	629	174.7	22.5	1480	46.4	75	83	5.4
	899	149.7	20		55.6		88	
	1079	299.7	17		58.1		86	
DATS250-280A	604	167.8	20	1480	40.1	55	82	5.4
	863	239.7	18		48.6		87	
	982	272.8	16		50.3		85	
DATS250-280B	575	159.7	19	1480	36.3	55	82	5.4
	821	228.1	17		43.7		87	
	956	265.6	15		45.9		85	
DATS250-280C	550	152.8	17	1480	31.4	45	81	5.4
	785	218.1	15		37.3		86	
	902	250.6	13.8		40.3		84	
DATS250-370	684	190	44	1480	97.5	132	84	5.3
	977	271.4	40		119.5		89	
	1172	325.6	34		124.7		87	
DATS250-370A	657	182.5	40	1480	86.2	132	83	5.3
	938	260.6	37		107.4		88	
	1126	312.8	32		114.1		86	
DATS250-370B	624	173.3	36	1480	74.6	110	82	5.3
	892	247.8	33		92.1		87	
	1070	297.2	29		99.4		85	
DATS250-370C	596	165.6	34	1480	68.1	90	81	5.3
	852	236.6	31		83.6		86	
	987	274.2	27		86.4		84	
DATS250-370(I)	538	149.4	38	1480	67.9	90	82	5.3
	768	213.3	35		84.1		87	
	922	256.1	30		88.6		85	
DATS250-370(I)A	515	143.1	35	1480	60.6	90	81	5.3
	736	204.4	32		74.6		86	
	883	245.3	28		80.1		84	
DATS250-370(I)B	491	136.4	32.5	1480	54.3	75	80	5.3
	701	194.7	29		65.1		85	
	841	233.6	26		71.7		83	
DATS250-370(I)C	468	130	30	1480	48.4	75	79	5.3
	669	185.5	27		58.5		84	
	803	223.1	24		64		82	
DATS250-480	733	203.6	74	1480	175.8	250	84	5.0
	1047	290.8	66		211.4		89	
	1256	348.9	59		231.9		87	
DATS250-480A	704	195.6	68	1480	157	220	83	5.0
	1005	279.2	61		189.6		88	
	1206	335	54		206.1		86	

DATS250-480B	669	185.8	65	1480	144.4	200	82	5.0
	956	265.6	55		164.5		87	
	1147	318.6	48		176.3		85	
DATS250-480C	639	177.5	57	1480	122.4	200	81	5.0
	913	253.6	51		147.4		86	
	1096	304.4	43.5		154.5		84	
DATS250-480(I)	576	160	62	1480	118.6	200	82	5.0
	823	228.6	58		149.4		87	
	988	274.4	50		158.2		85	
DATS250-480(I)A	552	153.5	59	1480	109.5	160	81	5.0
	789	219.2	53		132.4		86	
	947	263.1	46		141.2		84	
DATS250-480(I)B	526	146.1	56	1480	100.2	132	80	5.0
	751	208.6	49		117.9		85	
	901	250.3	43		127.1		83	
DATS250-480(I)C	502	139.4	52	1480	90	132	79	5.0
	717	199.2	45		104.6		84	
	860	238.9	39		111.3		82	
DATS250-600	767	213.1	126	1480	328.9	450	80	5.5
	1096	304.4	115		403.7		85	
	1315	365.3	100		431.3		83	
DATS250-600A	736	204.4	112	1480	284	400	79	5.5
	1052	292.2	105		358		84	
	1202	333.9	98		391.1		82	
DATS250-600B	701	194.7	103	1480	252	355	78	5.5
	1001	278.1	96		315.2		83	
	1201	333.6	83		335		81	
DATS250-600C	669	185.8	95	1480	224.7	315	77	5.5
	956	265.6	88		279.3		82	
	1108	307.8	80		301.6		80	
DATS250-600(I)	603	167.5	110	1480	231.5	315	78	5.5
	861	239.5	101		285.2		83	
	982	272.8	94		310.2		81	
DATS250-600(I)A	578	160.6	101	1480	206.4	280	77	5.5
	826	229.4	93		255		82	
	963	267.5	83		272		80	
DATS250-600(I)B	550	152.8	92	1480	181.2	250	76	5.5
	786	218.3	84		221.5		81	
	943	261.9	74		240.5		79	
DATS250-600(I)C	526	146.1	87	1480	166.1	250	75	5.5
	751	208.6	78		199.3		80	
	901	250.3	70		220.1		78	

DATS300-300	839	233.1	30	1480	82.6	110	83	5.5
	1199	333.1	27		100.1		88	
	1356	376.7	24		103		86	
DATS300-300A	806	223.9	26	1480	69.6	110	82	5.5
	1151	319.7	24		86.4		87	
	1292	358.9	21		86.9		85	
DATS300-300B	767	213.1	23	1480	59.3	90	81	5.5
	1095	304.2	21		72.8		86	
	1282	356.1	18		74.8		84	
	740	205.6	9.21	980	21.15	30	81	5.5
DATS300-300C	732	203.3	22	1480	54.8	75	80	5.5
	1046	290.6	19		63.6		85	
	1255	348.6	17		70		83	
DATS300-300(I)	659	183.1	25	1480	55.4	75	81	5.5
	942	261.7	22		65.6		86	
	1130	313.9	19		69.6		84	
DATS300-300(I)A	633	175.8	22.5	1480	48.5	75	80	5.5
	904	251.1	20		57.9		85	
	1085	301.4	17		60.5		83	
DATS300-300(I)B	602	167.2	20	1480	41.5	55	79	5.5
	860	238.9	18		50.2		84	
	992	275.6	16		52.7		82	
DATS300-300(I)C	575	159.7	19	1480	38.1	55	78	5.5
	822	228.3	17		45.8		83	
	965	268.1	15		48.6		81	
DATS300-435	895	248.6	60	1480	172	250	85	6.0
	1279	355.3	55		212.8		90	
	1535	426.4	48		227.9		88	
DATS300-435A	859	238.6	57	1480	158.7	220	84	6.0
	1227	340.8	50		187.6		89	
	1472	408.9	43		198.1		87	
DATS300-435B	818	227.2	53	1480	142.2	200	83	6.0
	1168	324.4	46		166.2		88	
	1402	389.4	39		173.1		86	
DATS300-435C	781	216.9	49	1480	127	200	82	6.0
	1116	310	42		146.7		87	
	1339	371.9	36		154.4		85	
DATS300-435D	736	204.4	43	1480	106.4	160	81	6.0
	1052	292.2	38		1265		86	
	1262	350.6	32		130.9		84	
DATS300-435(I)	704	195.6	55	1480	127	200	83	6.0
	1005	279.2	48		149.2		88	
	1146	318.3	42		152.4		86	

DATS300-435(I)A	675	187.5	51	1480	114.3	160	82	6.0
	964	267.8	44		132.7		87	
	1125	312.5	38		136.9		85	
DATS300-435(I)B	642	178.3	44	1480	94.9	132	81	6.0
	917	254.7	40		116.1		86	
	1100	305.6	34		121.2		84	
DATS300-435(I)C	613	170.3	40	1480	83.4	132	80	6.0
	876	243.3	37		103.8		85	
	1051	291.9	32		110.3		83	
DATS300-560	980	272.2	103	1480	331.1	450	83	6.0
	1400	288.9	95		411.4		88	
	1680	466.7	82		436.1		86	
DATS300-560A	940	261.1	95	1480	296.5	450	82	6.0
	1343	373.1	87		365.6		87	
	1612	447.8	79		407.8		85	
DATS300-560B	895	248.6	86	1480	258.7	400	81	6.0
	1278	355	79		319.6		86	
	1534	426.1	70		348		84	
DATS300-560C	855	237.5	81	1480	235.7	355	80	6.0
	1221	339.2	75		293.3		85	
	1465	406.9	66		317.1		83	
DATS300-560(I)	770	213.9	92	1480	238.1	355	81	6.0
	1100	305.6	84		292.5		86	
	1320	366.7	75		320.8		84	
DATS300-560(I)A	739	205.3	85	1480	213.7	315	80	6.0
	1055	293.1	77		260.2		85	
	1266	351.7	68		282.4		83	
DATS300-560(I)B	702	195	77	1480	186.3	280	79	6.0
	1003	278.6	70		227.5		84	
	1204	334.4	63		251.8		82	
DATS300-560(I)C	671	186.4	72	1480	168.6	250	78	6.0
	959	266.4	64		201.3		83	
	1151	319.7	57		220.5		81	
DATS300-700	1050	291.7	170	1480	592.6	900	82	5.4
	1500	416.7	160		751		87	
	1800	500	145		835.9		85	
DATS300-700A	1007	279.7	157	1480	351.3	800	81	5.4
	1439	399.7	147		669.6		86	
	1727	479.7	134		750		84	
DATS300-700B	958	266.1	146	1480	475.9	710	80	5.4
	1369	380.3	134		587.5		85	
	1643	456.4	125		673.6		83	

DATS300-700C	916	254.4	134	1480	423	630	79	5.4
	1308	363.3	123		521.4		84	
	1570	436.1	113		589		82	
ZS300-700(I)	825	229.2	152	1480	426.7	630	80	5.4
	1178	327.2	141		531.9		85	
	1414	392.8	129		598.3		83	
DATS300-700(I)A	791	219.7	142	1480	387	560	79	5.4
	1130	313.9	129		472.4		84	
	1356	376.7	121		544.7		82	
DATS300-700(I)B	753	209.2	127	1480	333.8	500	78	5.4
	1075	298.2	117		412.5		83	
	1290	358.3	103		446.5		81	
DATS300-700(I)C	719	199.7	118	1480	299.9	450	77	5.4
	1027	285.3	108		368.2		82	
	1232	342.2	100		419.2		80	
DATS350-305	1211	336.4	28	1480	112.6	160	82	8.5
	1730	480.6	25		135.3		87	
	1995	554.2	22		140.6		85	
DATS350-305A	1162	322.8	26	1480	101.5	132	81	8.5
	1660	461.1	23		120.9		86	
	1856	515.6	21		126.3		84	
DATS350-305B	1105	306.9	23	1480	86.5	132	80	8.5
	1579	438.6	21		106.2		85	
	1796	498.9	18		106		83	
ZS350-305C	1056	293.3	22	1480	80.1	110	79	8.5
	1509	419.2	19		92.9		84	
	1752	486.7	17		98.9		82	
DATS350-360	1214	337.2	35	1480	141.1	200	82	7.5
	1734	481.7	32		173.6		87	
	1995	554.2	28		178.9		85	
DATS350-360A	1164	323.3	32.5	1480	127.1	200	81	7.5
	1663	461.9	29		152.7		86	
	1925	534.7	26		162.2		84	
DATS350-360B	1108	307.8	30	1480	113.1	160	80	7.5
	1583	439.7	27		136.9		85	
	1832	508.9	24		144.2		83	
DATS350-360C	1058	293.9	28	1480	102.1	132	79	7.5
	1512	420	25		122.5		84	
	1756	487.8	22		128.2		82	
DATS350-360(I)	954	265	33	1480	107.1	132	80	7.5
	1362	378.3	28		122.1		85	
	1566	435	25		128.4		83	

DATS350-360(I)A	915	254.2	32	1480	100.9	132	79	7.5
	1306	362.8	26		110		84	
	1513	420.3	24		120.5		82	
DATS350-360(I)B	870	241.7	26	1480	78.9	110	78	7.5
	1243	345.3	23		93.8		83	
	1439	399.7	20		96.7		81	
DATS350-360(I)C	832	231.3	25	1480	73.5	110	77	7.5
	1188	330	22		86.8		82	
	1336	371.1	19		86.4		80	
DATS350-430	1260	350	50	1480	209.1	280	82	8.0
	1799	499.7	45		253.3		87	
	2068	574.4	40		264.9		85	
DATS350-430A	1208	335.6	48	1480	194.9	250	81	8.0
	1726	479.4	41		224		86	
	1998	555	36		233.1		84	
DATS350-430B	1150	319.4	43	1480	168.3	220	80	8.0
	1642	456.1	38		199.8		85	
	1901	528.1	33		205.8		83	
DATS350-430C	1100	305.6	39	1480	147.8	200	79	8.0
	1569	435.8	35		178		84	
	1822	506.1	30		181.5		82	
DATS350-430(I)	990	275	44	1480	148.2	200	80	8.0
	1413	392.5	40		181		85	
	1624	451.1	34		181.1		83	
DATS350-430(I)A	950	263.9	40	1480	130.9	200	79	8.0
	1356	376.7	36		158.2		84	
	1569	435.8	31		161.5		82	
DATS350-430(I)B	903	250.8	37	1480	116.6	160	78	8.0
	1290	358.3	33		139.6		83	
	1493	414.7	29		145.5		81	
DATS350-430(I)C	862	239.4	34	1480	103.6	132	77	8.0
	1232	342.2	30		122.7		82	
	1431	397.5	26		126.6		80	
DATS350-510	1331	369.7	80	1480	349.2	450	83	8.0
	1901	528.1	70		411.6		88	
	2186	607.2	63		435.9		86	
DATS350-510A	1277	354.7	70	1480	296.8	400	82	8.0
	1824	506.7	64		365.3		87	
	2111	586.4	57		385.4		85	
DATS350-510B	1215	337.5	63	1480	257.3	355	81	8.0
	1735	481.9	58		318.5		86	
	2009	558.5	50		325.5		84	

DATS350-510C	1160	322.2	59	1480	232.9	315	80	8.0
	1658	460.6	54		286.7		85	
	1925	534.7	47		296.7		83	
DATS350-510(I)	1045	290.3	68	1480	238.8	315	81	8.0
	1493	414.7	62		293		86	
	1717	476.9	55		306		84	
DATS350-510(I)A	1003	278.6	62	1480	211.6	280	80	8.0
	1433	398.1	57		261.6		85	
	1685	460.6	50		271.9		83	
DATS350-510(I)B	954	265	56	1480	184.1	250	79	8.0
	1363	378.6	51		225.3		84	
	1578	438.3	45		235.7		82	
DATS350-510(I)C	915	254.2	52	1480	166.1	220	78	8.0
	1302	361.7	47		200.7		83	
	1512	420	42		213.4		81	
DATS350-660	1397	388.1	120	1480	556.5	800	82	7.3
	1995	554.2	110		686.7		87	
	2294	637.2	102		749.4		85	
DATS350-660A	1340	372.2	109	1480	490.9	710	81	7.3
	1914	531.7	101		611.9		86	
	2216	615.6	94		675.1		84	
DATS350-660B	1257	354.2	101	1480	438.2	630	80	7.3
	1821	505.8	92		536.5		85	
	2109	585.8	82		567.2		83	
DATS350-660C	1218	338.3	93	1480	390.3	560	79	7.3
	1740	483.3	84		473.7		84	
	2021	561.4	75		503.2		82	
DATS350-600(I)	1097	304.7	104	1480	388.2	560	80	7.3
	1567	435.3	96		481.8		85	
	1720	477.8	85		479.5		83	
DATS350-660(I)A	1052	292.2	98	1480	355.3	500	79	7.3
	1503	417.5	89		433.5		84	
	1625	451.4	81		437		82	
DATS350-660(I)B	1002	278.3	90	1480	314.7	400	78	7.3
	1431	397.5	81		380.2		83	
	1556	432.2	73		381.7		81	
DATS350-660(I)C	957	265.8	82	1480	277.4	355	77	7.3
	1367	379.7	74		335.8		82	
	1522	422.8	66		341.8		80	
DATS350-760	1550	430.6	176.2	1450	965.5	1400	77	10.0
	2214	615	158		1161.3		82	
	2655	737.5	146.2		1320.8		80	

DATS350-760A	1480	411.1	160.1	1450	848.7	1250	76	10.0
	2140	594.4	144.3		1037.8		81	
	2568	713.3	133.6		1197.4		78	
DATS350-760B	1440	400	145.4	1450	760	1120	73	10.0
	2060	572.2	132		925.3		78	
	2470	686.1	123		1074.1		76	
DATS350-760C	1370	380.6	123.2	1450	629.4	1000	80	10.0
	1960	544.4	118.2		808.5		85	
	2350	652.8	113.4		954.5		83	
DATS400-350	1630	452.8	22.8	1450	126.5	200	80	10.0
	2327	646.4	20.5		152.8		85	
	2970	825	18.3		180.4		82	
DATS400-350A	1550	430.6	20.2	1450	107.9	160	79	10.0
	2220	616.7	18.3		131.7		84	
	2660	738.9	17		150.1		82	
DATS400-350B	1400	388.9	17.6	1450	86	132	78	10.0
	2090	580.6	16.1		110.4		83	
	2510	697.2	15.1		127.4		81	
DATS400-350C	1375	381.9	16.3	1450	79.2	132	77	10.0
	1968	546.7	14.6		95.4		82	
	2360	655.6	13.5		108.4		80	
DATS400-410	1714	476.1	36	1480	202.4	280	83	10.0
	2449	680.3	32		242.4		88	
	2816	782.2	28		249.6		86	
DATS400-410A	1645	456.9	33	1480	180.2	250	82	10.0
	2350	652.8	29		213.3		87	
	2720	755.6	25		217.8		85	
DATS400-410B	1565	434.7	31	1480	163	220	81	10.0
	2326	621.1	27		191.1		86	
	2588	718.9	24		201.3		84	
DATS400-410C	1495	415.3	28	1480	142.4	200	80	10.0
	2136	593.3	25		171		85	
	2480	688.9	22		178.9		83	
DATS400-410D	1620	450	24	1480	134	160	79	10.0
	2020	561.1	22		144		84	
	2340	650	19		147.6		82	
DATS400-460	1820	505.6	53	1480	320.2	400	82	9.8
	2600	722.2	46		374.2		87	
	3000	833.3	40		384.3		85	
DATS400-460A	1747	485.3	48	1480	281.8	355	81	9.8
	2495	693.1	42		331.7		86	
	2881	800.3	37		345.5		84	

DATS400-460B	1662	461.7	42	1480	237.5	315	80	9.8
	2374	659.4	38		288.9		85	
	2748	763.3	33		297.4		83	
DATS400-460C	1588	441.1	39	1480	213.4	280	79	9.8
	2268	630	35		257.3		84	
	2633	731.4	31		271		82	
DATS400-520	1960	544.4	80	1480	514.3	710	83	10.0
	2799	777.5	72		623.4		88	
	3218	893.9	64		651.9		86	
DATS400-520A	1880	522.2	75	1480	468.1	630	82	10.0
	2685	745.8	66		554.5		87	
	3108	863.3	59		587.3		85	
DATS400-520B	1789	496.9	67	1480	402.8	560	81	10.0
	2555	709.7	60		485.3		86	
	2985	821.7	53		508.1		84	
DATS400-520C	1709	474.7	60	1480	348.9	500	80	10.0
	2441	678.1	55		430		85	
	2756	765.6	48		4339		83	
DATS400-680	2100	583.3	113	1480	778.3	1120	83	10.0
	3000	833.3	105		974.4		88	
	3448	957.8	92		1004.1		86	
DATS400-680A	2014	559.4	104	1480	695.3	1000	82	10.0
	2877	799.2	96		864.2		87	
	3330	925	84		895.8		85	
DATS400-680B	1917	532.5	95	1480	612	900	81	10.0
	2738	760.6	87		754		86	
	3170	880.6	78		801.3		84	
DATS400-680C	1831	508.6	89	1480	554.5	800	80	10.0
	2616	726.7	81		678.6		85	
	3037	843.6	73		727.1		83	
DATS400-730	2450	680.6	155.6	1450	1265.6	1800	82	11.0
	3510	975	140		1537.6		87	
	4210	1169.4	129		1739.3		85	
DATS400-730A	2358	655	138.9	1450	1100.7	1600	81	11.0
	3365	943.7	125.6		1337.8		86	
	4035	1120.8	116.5		1523.4		84	
DATS400-730B	2250	625	126.2	1450	966.2	1400	80	11.0
	3215	893.1	115		1184.1		85	
	3855	1070.8	107.2		1355.4		83	
DATS400-730C	2130	591.7	114	1450	836.7	1250	79	11.0
	3040	844.4	104		1024.6		84	
	3640	1011.1	97.2		1174.6		82	

DATS500-510	2416	671.1	29	980	229.8	280	83	7.5
	3451	958.6	25		266.9		88	
	3902	1083.9	22		271.7		86	
DATS500-510A	2318	643.9	26	980	200.1	250	82	7.5
	3311	919.7	23		238.3		87	
	3785	1051.4	20		242.4		85	
DATS500-510B	2206	612.8	23	980	170.5	220	81	7.5
	3151	875.3	21		209.5		86	
	3602	1000.6	18		210.1		84	
DATS500-510C	2107	585.3	22	980	157.7	200	80	7.5
	3010	836.1	19		183.2		85	
	3426	951.7	17		191		83	
DATS500-510(I)	1898	527.2	25	980	159.5	200	81	7.5
	2711	753.1	22		188.8		86	
	3117	865.8	19		191.9		84	
DATS500-510(I)A	1821	505.8	23	980	142.5	185	80	7.5
	2601	722.5	20		166.6		85	
	3011	836.4	18		177.8		83	
DATS500-510(I)B	1733	481.4	21	980	125.4	160	79	7.5
	2475	687.5	18		144.4		84	
	2865	795.8	16		152.2		82	
DATS500-510(I)C	1655	459.7	19	980	109.7	160	78	7.5
	2364	656.7	17		131.8		83	
	2745	762.5	15		138.4		81	
DATS500-640	2456	682.2	48	980	382	500	84	6.5
	3508	974.4	42		450.7		89	
	4046	1123.9	37		468.4		87	
DATS500-640A	2007	557.5	42	980	276.5	450	83	6.5
	3365	934.7	39		406		88	
	3895	1081.9	34		419.2		56	
DATS500-640B	2242	622.8	39	980	290.3	400	82	6.5
	3202	889.4	35		350.7		87	
	3707	1029.7	31		368		85	
DATS500-640C	2141	594.7	35	980	251.8	355	81	6.5
	3059	849.7	32		309.9		86	
	3552	986.7	28		322.3		84	
DATS500-640(I)	1929	535.8	40	980	256.2	355	82	6.5
	2755	765.3	37		319		87	
	3167	879.7	33		334.7		85	
DATS500-640(I)A	1850	513.9	38	980	236.3	315	81	6.5
	2643	734.2	34		284.4		86	
	3060	850	30		297.5		84	

DATS500-640(I)B	1761	489.2	34	980	203.7	280	80	6.5
	2515	689.6	31		249.7		85	
	2912	808.9	27		257.9		83	
DATS500-640(I)C	1682	467.2	32	980	185.5	250	79	6.5
	2403	667.5	28		218.1		84	
	2790	775	25		231.6		82	
DATS500-700	2692	747.8	73	980	636.9	800	84	6.5
	3846	1068.3	65		764.6		89	
	4320	1200	58		748		87	
DATS500-700A	2583	717.5	66	980	559.1	800	83	6.5
	3690	1025	60		684.9		88	
	4271	1186.4	53		716.5		86	
DATS500-700B	2458	628.8	59	980	481.4	710	82	6.5
	3511	975.3	54		593.2		87	
	4064	1128.9	47		611.7		85	
DATS500-700C	2347	651.9	57	980	449.6	630	81	6.5
	3352	931.1	50		530.5		86	
	3895	1081.9	44		555.4		84	
DATS500-700(I)	2115	587.5	62	980	435.5	630	82	6.5
	3021	839.2	57		538.8		87	
	3406	946.1	50		545.4		85	
DATS500-700(I)A	2029	563.6	59	980	402.3	500	81	6.5
	2898	805	53		486.2		86	
	3256	904.4	46		485.4		84	
DATS500-700(I)B	1930	536.5	53	980	348.1	450	80	6.5
	2757	765.8	48		423.8		85	
	3156	876.7	42		434.7		83	
DATS500-700(I)C	1845	512.5	50	980	317.9	400	79	6.5
	2635	731.9	44		375.7		84	
	2985	829.2	39		386.5		82	
DATS500-790	2800	777.8	88	980	789.1	1120	85	7.0
	3999	1110.8	80		967.7		90	
	4598	1277.2	72		1024.1		88	
DATS500-790A	2686	746.1	80	980	696.4	1000	84	7.0
	3837	1065.8	73		856.7		89	
	4441	1233.6	66		917.1		87	
DATS500-790B	2556	710	74	980	620.4	900	83	7.0
	3651	1014.2	67		756.7		88	
	4227	1174.2	61		816.2		86	
DATS500-790C	2442	678.3	69	980	559.4	800	82	7.0
	3488	968.9	62		676.7		87	
	4050	1125	55		713.4		85	

DATS500-790(I)	2219	616.4	83	980	596.9	800	84	7.0
	3170	880.6	75		727.2		89	
	3665	1018.1	67		768.3		87	
DATS500-790(I)A	2124	590	76	980	529.4	710	83	7.0
	3034	842.8	69		647.6		88	
	3522	978.3	62		691.2		86	
DATS500-790(I)B	2021	561.4	70	980	469.6	630	82	7.0
	2887	801.9	63		569.1		87	
	3402	945	56		610.1		85	
DATS500-790(I)C	1930	536.1	65	980	421.6	560	81	7.0
	2758	766.1	58		506.3		86	
	3286	912.8	51		543.1		84	
DATS500-890	2932	814.4	120	980	1126.8	1600	85	7.0
	4188	1163.3	110		1393.4		90	
	4815	1337.5	102		1519.3		88	
DATS500-890A	2813	781.4	109	980	993.7	1400	84	7.4
	4018	1116.1	101		1241.3		89	
	4602	1278.3	94		1353.6		87	
DATS500-890B	2676	743.3	100	980	877.7	1250	83	7.0
	3823	1061.9	92		1088		88	
	4426	1229.4	82		1148.8		86	
DATS500-890C	2557	710.3	93	980	789.4	1120	82	7.0
	3653	1014.7	85		971.6		87	
	4241	1178.1	76		1032.3		85	
DATS500-890(I)	2204	612.2	120	980	857.1	1250	84	7.0
	3148	874.4	110		1059.2		89	
	3620	1005.6	102		1155.3		87	
DATS500-890(I)A	2115	587.5	109	980	756.1	1120	83	7.0
	3021	839.2	101		943.9		88	
	3496	971.1	94		1040.2		86	
DATS500-890(I)B	2012	558.9	100	980	667.9	1000	82	7.0
	2874	798.3	92		827.3		87	
	3327	924.2	82		873.7		85	
DATS500-890(I)C	1922	533.9	93	980	600.7	900	81	7.0
	2746	762.8	85		738.8		86	
	3189	885.8	76		785.4		84	
DATS600-540	3305	918.1	29	980	314.4	400	83	8.5
	4721	1311.4	25		365.1		88	
	5428	1507.8	22		378		86	
DATS600-540A	3170	880.6	26	980	273.6	355	82	8.5
	4259	1258.1	23		325.9		87	
	5242	1456.1	20		335.8		85	

DATS600-540B	3016	837.8	23	980	233.1	315	81	8.5
	4039	1196.9	21		286.4		86	
	4989	1385.8	18		291		84	
DATS600-540C	2882	800.6	22	980	215.7	280	80	8.5
	4117	1143.6	19		250.5		85	
	4781	1328.1	17		266.6		83	
DATS600-620	3708	1030	44	980	528.7	710	84	9.0
	5297	1471.4	40		648.1		89	
	6090	1691.7	35		666.9		87	
DATS600-620A	3558	988.3	40	980	466.8	630	83	9.0
	5082	1411.7	37		581.7		88	
	5882	1633.9	32		595.8		86	



四川中瑛工业泵有限公司
Sichuan Zhongying Industrial Pump Co., Ltd