



SHIJIAZHUANG NAIPU PUMP CO., LTD
石家庄耐普泵业有限公司

65QV-SP Vertical High Chrome Sump Pump

The advertisement features a central image of a vertical sump pump with a green motor and orange housing. The pump is mounted on a white base. The background is white with a blue border. In the top left corner is the NP logo. To its right is a gold coin icon with the text 'Gold Supplier'. Further right are the ISO 9001 SGS certification logo and the SGS logo. The text 'Shijiazhuang Naipu Pump Co., Ltd' is overlaid on the pump image. At the bottom, the email address 'Katherine@naipump.com' is displayed in a blue banner.

np Gold Supplier ISO 9001 SGS SGS

Shijiazhuang Naipu Pump Co., Ltd

Katherine@naipump.com



65 QV-SP Vertical Slurry Pump

Metal lined, metal impeller, Warman replacement pump

Max Power: 30 kw

Pump Flow: 23.4-111 m³/h

Pump Head: 5-29.5 m

Pump Speed: 700-1500 rpm

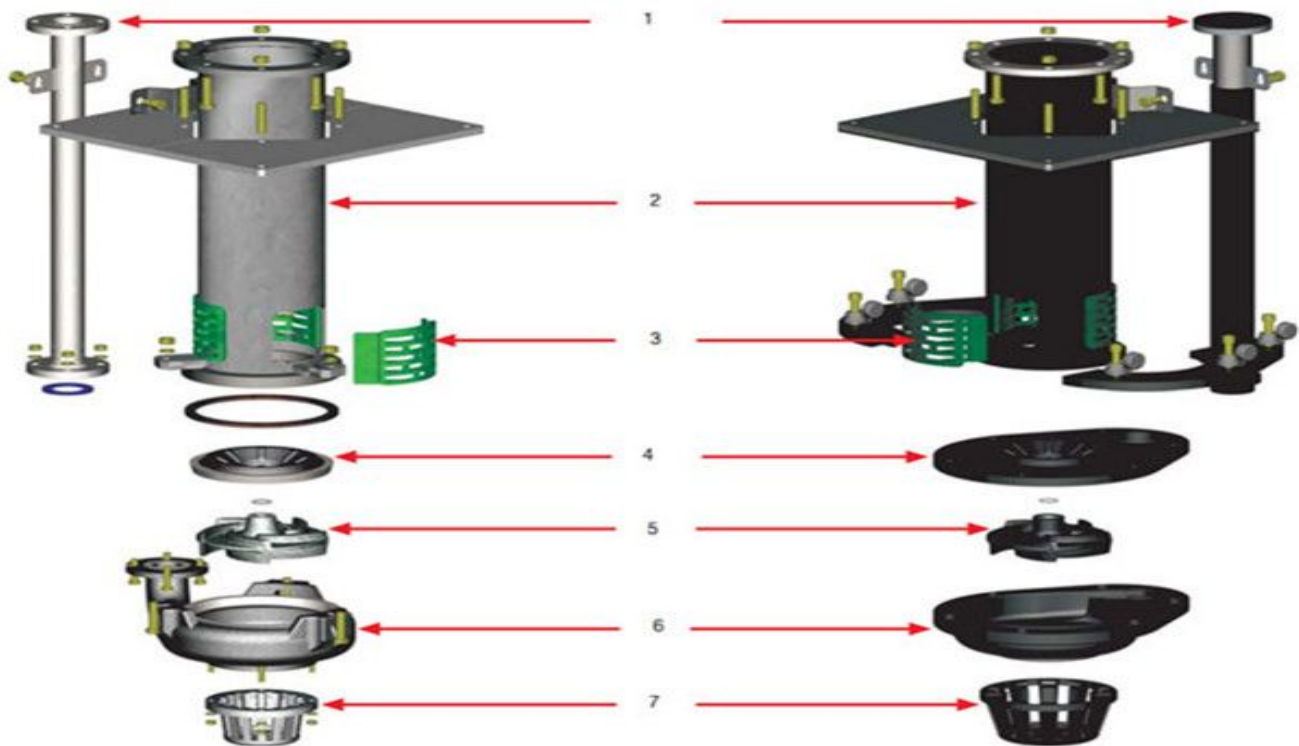
Max Efficiency: 50 %

Impeller Vane: 5 (standard)

Impeller Diameter: 280 mm

Material: A03, A04, A05, A06, A07, A12, A14, A25, A33, A49, A51, A61, Cr24, Cr26, Cr27, Cr30, Cr28, Cr36...

Pump construction



Main Part Number at The Drawing

1. Discharge Pipe	5. Impeller
2. Column	6. Pump Casing
3. Strainer	7. Lower Pipe
4. Back Liner	



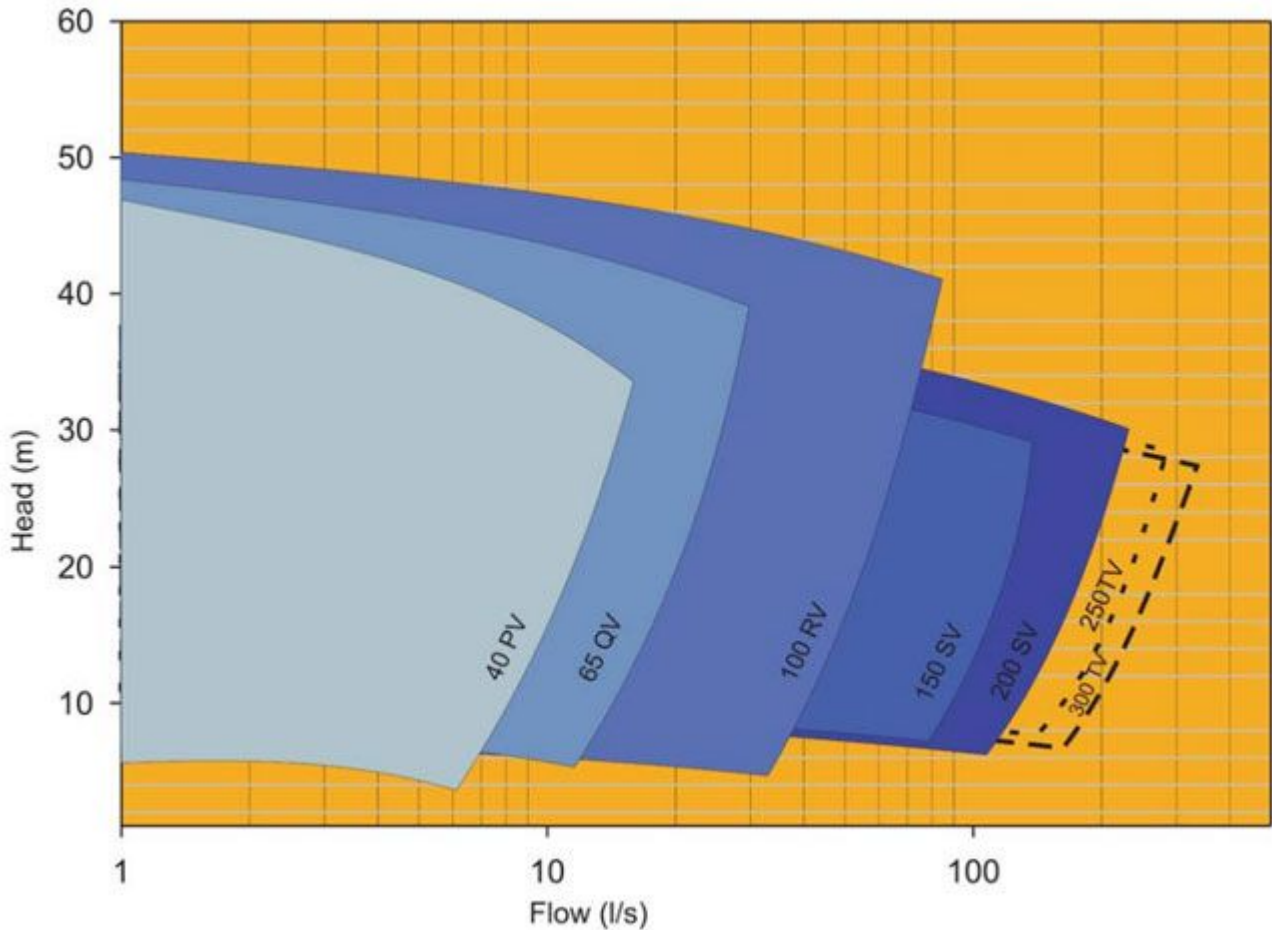
SHIJIAZHUANG NAIPU PUMP CO., LTD
石家庄耐普泵业有限公司





Selection Chart

(Note: Approximate performance for clear water, to be used for primary selection only.)



Katherine

Tel: +86-311-83802338 Fax: +86-311-87162902

Cellphone: +86-15028111051 WeChat: katherine_cn

Skype: katherine_naipump Email: katherine@naipump.com URL: www.naipump.com