

Guangdong G-motor health Technology Co., Ltd

Specifications

Customer:	Product Name): linear actuator	Model: GD23	Date: 21th, Mar. 2018
Applications and features:		electric lifting beds , electric lifting chairs	

Dimensions

G-MOTOR MACHINERY & ELECTRIC PRODUCTS CO., LTD

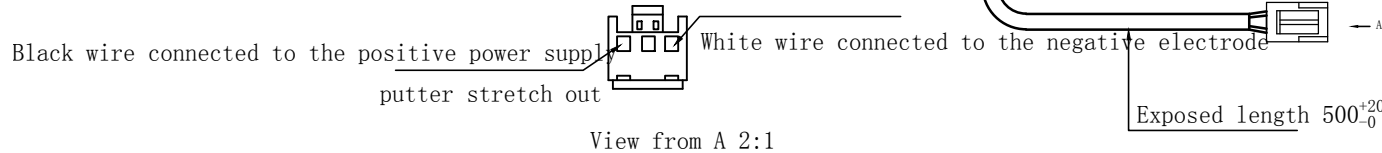
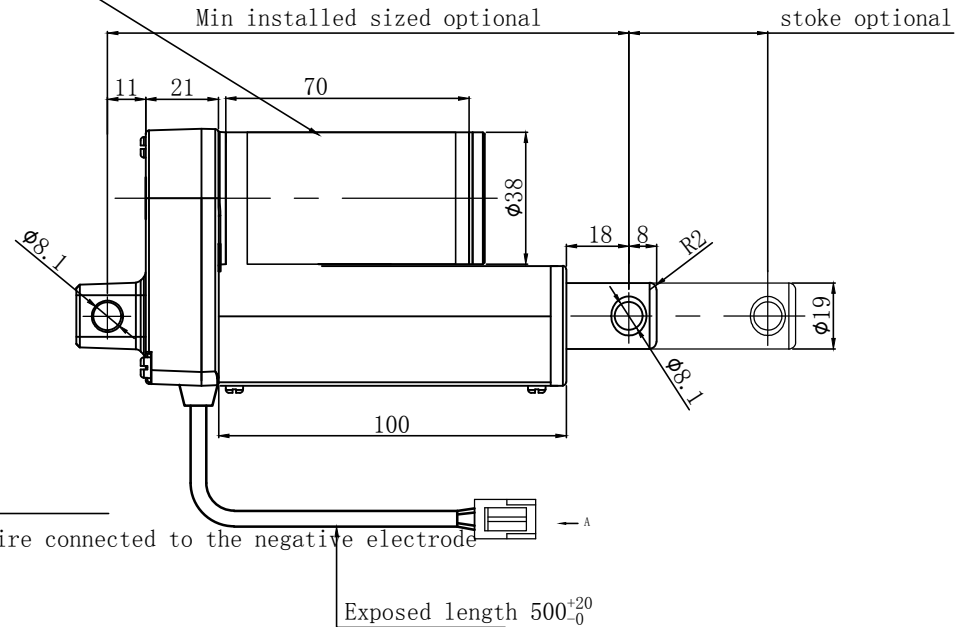
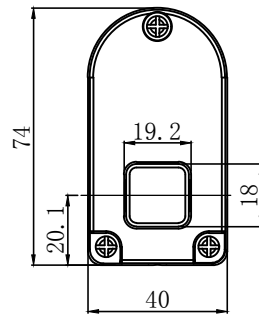
Product Model : GD23- 24- E - 220 / 320 - 01
 Power Rating : 24 VDC, 3.5 A Max.
 Load Capacity : 2000 N. Push Max.
 Stroke Length : 100 mm
 Duty Cycle : 1 ON 5 OFF Max.
 Motor Type : GD23, DC

(RoHS)
CE

Thermally Protected L

Part No. : Bar Code
743-245220320

Serial No. : Bar Code
2018-03-00001



Technical Data

Model	: GD23-24-E-220/320-01	Min. Mounting dimension A	: 220 mm
Voltage	: 24 VAC	Max. Mounting dimension A	: 320 mm
No Load Current	: ≤0.7 A	Exposed length of power line	: 500 ⁺²⁰ ₀ mm
Load Current	: ≤3.5 A	Max. Load	: 2000 N
Telescoping Speed	: 5.5±1 mm	Duty Cycle	: 10%

Approve:	Review :	Design:
----------	----------	---------