

NEW

CTT-D08

SINGLE MOTOR TABLES

Create a new healthy work experience

According to your height,
adjust to the most
comfortable position,



**Contuo**

- Stylish and simple appearance
- Extremely cost-effective
- The first brushless motor drive in China, Quiet, high life
- Wall adapter, low voltage input, safe and reliable

CTT-D08

SINGLE MOTOR TABLES

Contuo



1 Brushless machine

Increased product life



2 Sliding sleeve

Reduce friction



3 Hand Controller

3 memory heights



4 Side Bracket

Steady



5 Foot pad

Anti-slip



6 Spray molding

Electrostatic spraying process

CTT-D08

SINGLE MOTOR TABLES



• Product parameter

Frame size

1100*520 【Fixed table stand】

(1100-1300)*520 【Telescopic frame】

Table size

1180*600/1200*600 【Fixed table stand】

(1180-1400)*(600-700) 【Telescopic frame】

Altitude range

720-1170(Panel not included)

Maximum load

60kg

Speed

20mm/s

Carton size

1151*240*130(without top)

1285*700*140(with intergrate top)

1261*360*176(with 2- sliced-top)

Colour

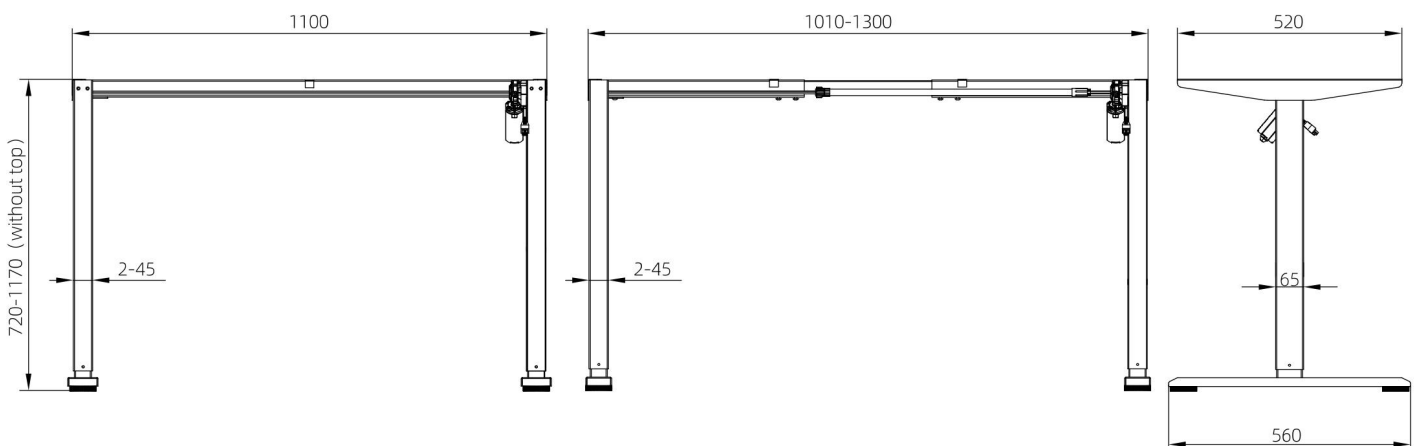
■ RAL9005

■ RAL7045

□ RAL9016



Product size



SHAOXING CONTUO

Shaoxing Contuo Transmission Technology Co.,Ltd

Ph: 0086 19157780900 (Layala)

WhatsApp: +86 19157780900 (Layala)

E-mail: sales01@comtuo.com (Layala)

Add: No. 800, Yanjiang West Road, Shaoxing, Zhejiang, China.

Web: <http://www.contuodesk.com>

<https://sxkangtuo.en.alibaba.com>

<https://contuodesk.en.alibaba.com>

