

HSF



NEG. CONTACT (PAD)
3.96 SQ. MIN

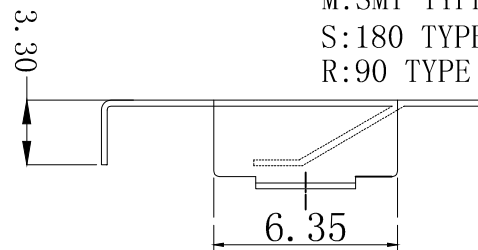
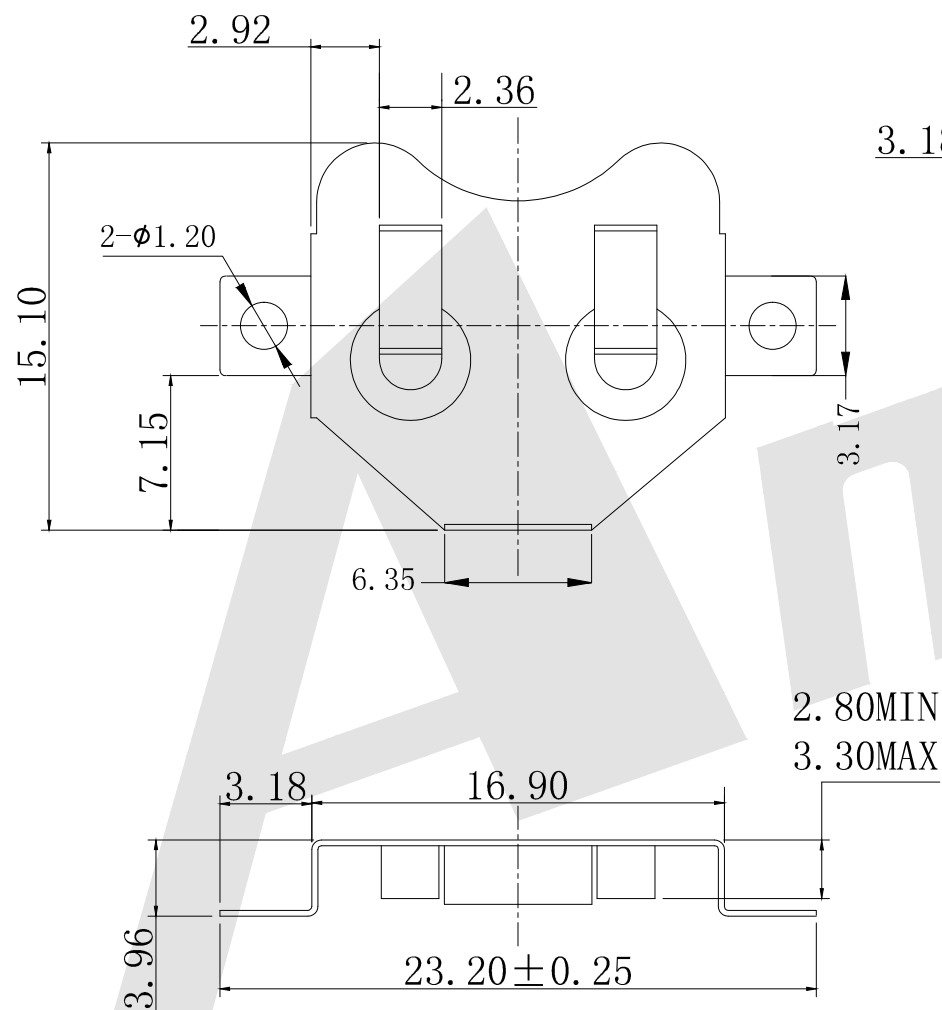
(MOUNTING PAD LAYOUT)

NOTE:

1. ALL INSIDE BEND RADII TO BE A MIN. OF MATERIAL THICKNESS UNLESS OTHERWISE SPECIFIED.
2. PART MUST BE FREE OF ALL BURRS AND SHARP EDGES.
3. MAT'L: 0.254 TH'K FULL HARD PHOSPHOR BRONZE
4. FINISH: NICKEL PLATE
0.00254-0.00762 NICKEL, OVER
0.00127-0.00254 COPPER
5. INDICATES CRITICAL DIMENSION

NOTES:

1. MATERIAL:
0.25mm PHOSPHOR BRONZE, NICKEL PLTD.
2. ROHS 2 COMPLIANT



BS - M - SI - R - CR1632A ③ Contact Plating
① ② ③ ④ ⑤ SI: NICKEL PLATE
SN: Tin

- ① BS: Battery Contacts
- ② Apperance for the product
- M: SMT TYPE
- S: 180 TYPE
- R: 90 TYPE

- G0: Gold flash
- G1: 3U" Gold
- G2: 5U" Gold
- G3: 10U" Gold
- G4: 15U" Gold
- G5: 30U" Gold

- ④ Packing method
A: Tray packing
R: Tape & reel packing
- ⑤ Product number
CR1632A

Unless Otherwise specified tolerance
X. ±0.35 X.XX: ±0.20
X.X: ±0.25 X.XXX: ±0.15

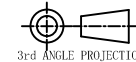
Antenk ANTENK ELECTRONICS CO., LTD
Http://www.antenk.com
E-mail:sales@antenk.com

SCALE: As Shown	UNIT: mm
DRAW Lv Xun Hua	DATE 16/03/2019
CHECK BobYang	DATE 16/03/2019

TITLE: Battery Contacts FOR CR1632. CR1612. CR1616. CR1620.

DRAWING NO: BS-M-SI-R-CR1632A

PRODUCT NO: BS-M-SI-R-CR1632A



REV	DESCRIPTION	DATE
1		
2		
3		
4		
5		