

HSF



ROHS

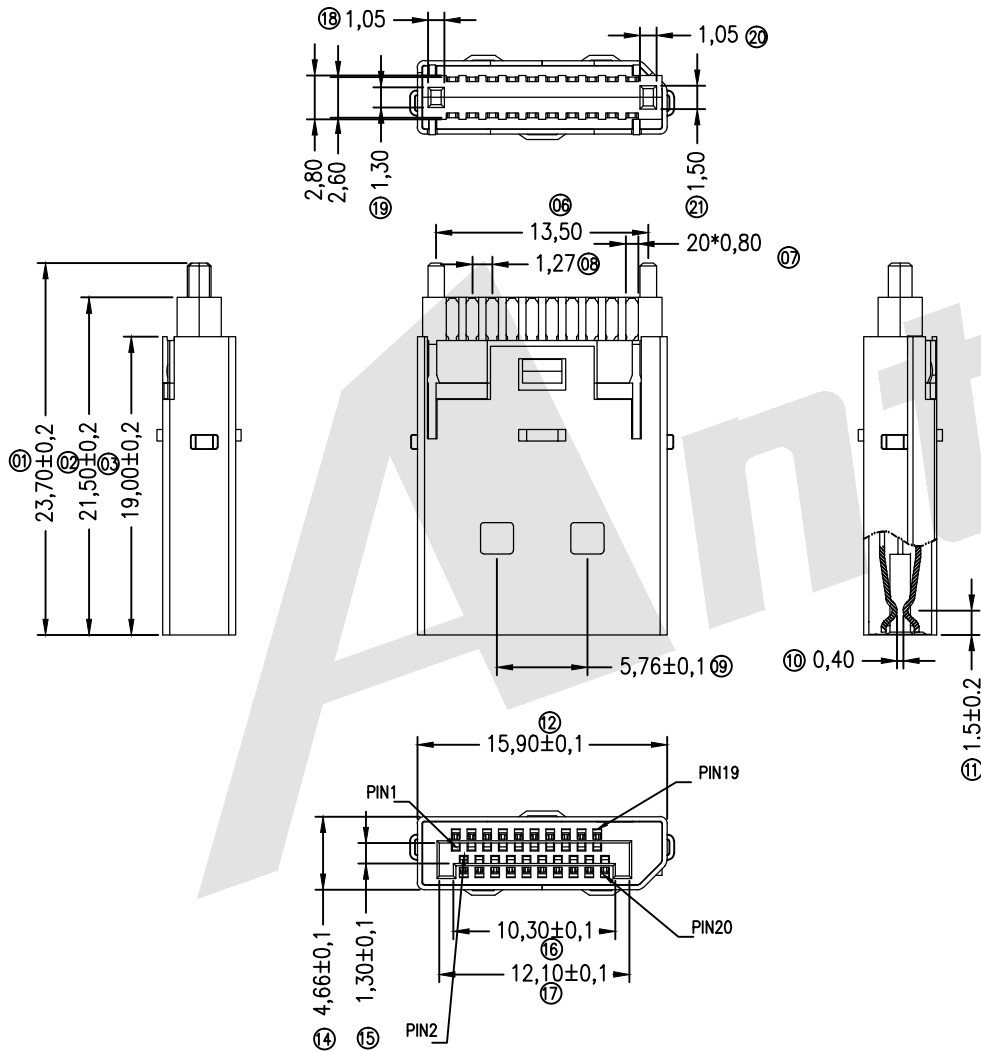
REMARKS (备注):

1. CONTACT INSERTION AND WITHDRAW FORCE (插拔力):
 - 1.1. Insertion force (插入力): 44.1N max.
 - 1.2. Withdrawal force (拔出力): 9.8N min/39.2N max.
2. ELECTRIC PROPERTY (电气性能):
 - 2.1. Contact current rating (额定电流): 0.5A min.
 - 2.2. Voltage rating (额定电压): 40V AC (RMS).
 - 2.3. Withstanding voltage (阻抗电压): 500V AC for 1 minute.
 - 2.4. Insulation resistance (绝缘阻抗): 100 megaohms (兆欧) max.
 - 2.5. Contact resistance (接触阻抗): 60 milliohms (毫欧) max.
3. AMBIENT TEMPERATURE (温度环境):
 - 3.1. Operating temperature (制造温度): -25° C to +85° C.

Ordering Code:

DP - M - X - X - 04
 ① ② ③ ④ ⑤

- | | |
|--------------------|--------------------|
| ① Series No: | ④ Shell Plating: |
| ② Male / female: | 1: NICKKL PLATK |
| M: Male | 2: TIN-LKAD PLATED |
| | 3: GOLD PLATKD |
| ③ Contact Plating: | ⑤ series number: |
| 1: Selective 1u" | 04 |
| 2: Selective 3u" | |
| 3: Selective 5u" | |
| 4: Selective 15u" | |
| 5: Selective 30u" | |
| 6: All Gold | |

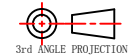


Unless Otherwise specified tolerance
 X. ±0.35 X.XX: ±0.20
 X.X: ±0.25 X.XXX: ±0.15

Antenk ANTENK ELECTRONICS CO., LTD
 Http://www.antenk.com
 E-mail: sales@antenk.com

SCALE: As Shown UNIT: mm
 DRAW Mo Guo Xuan DATE 29/10/2018
 CHECK BobYang DATE 29/10/2018

TITLE: DISPLAY Male soldering type (without hook)



DRAWING NO: DP-MXX04
 PRODUCT NO: DP-MXX04

REV	DESCRIPTION	DATE