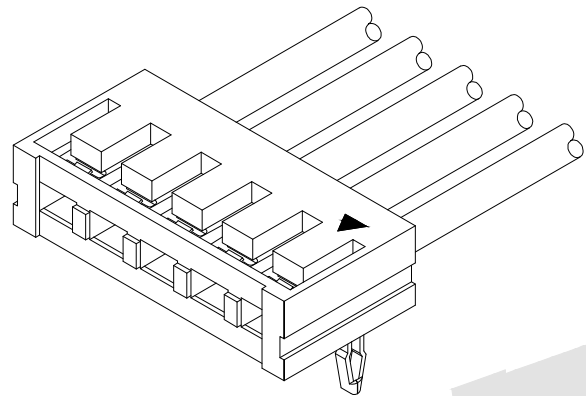


HSF



ROHS



SPECIFICATIONS

- Current rating: 3A AC/DC
- Voltage rating: 125V AC/DC
- Withstanding Voltage: 1000V AC/minute
- Insulation resistance: 1000MΩ Min
- Temperature range: -40°C~+105°C
- Compliant with RoHs and REACH

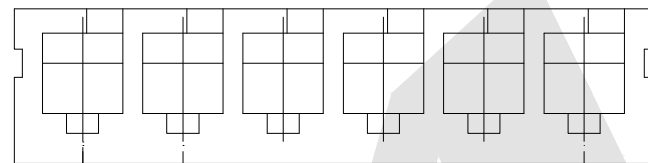
HOUSING

- Part NO. :BH2513-XP
- Material: Nylon 66, UL94v-0
- Suitable BT2513T series Terminal
- Color: Natural (White)

Ordering Information & Dimensions:

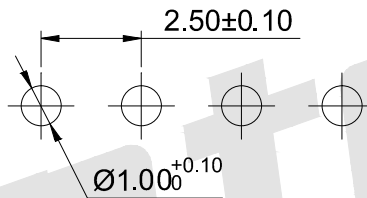
PART NO.	Dimensions	
	A	B
BH2513-2P	2.50	6.65
BH2513-3P	5.00	9.15
BH2513-4P	7.50	11.65
BH2513-5P	10.00	14.15
BH2513-6P	12.50	16.65
BH2513-7P	15.00	19.15
BH2513-8P	17.50	21.65
BH2513-9P	20.00	24.15
BH2513-10P	22.50	26.65
BH2513-11P	25.00	29.15
BH2513-12P	27.50	31.65
BH2513-13P	30.00	34.15
BH2513-14P	32.50	36.65
BH2513-15P	35.00	39.15
BH2513-16P	37.50	41.65

Unit: mm



2.50±0.10

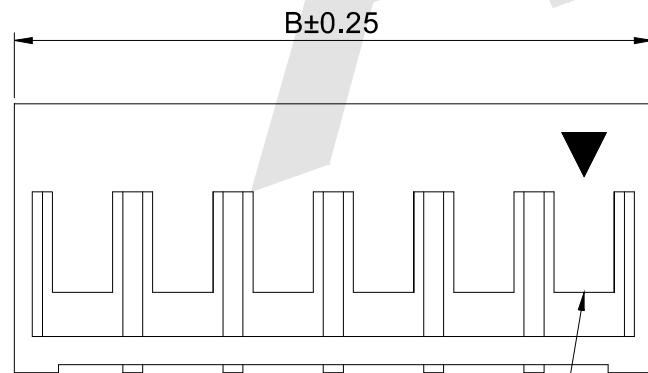
A±0.20



2.50±0.10

Ø1.00^{+0.10}

P.C.B LAYOUT



B±0.25

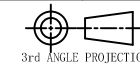
Circuit 1

3.85±0.20

6.70±0.25

Unless Otherwise specified tolerance
 X. ±0.35 X.XX: ±0.20
 X.X: ±0.25 X.XXX: ±0.15

SCALE: As Shown	UNIT: mm
DRAW Jack Bao	DATE 7/8/2018
CHECK Bob Yang	DATE 7/8/2018



Antenk® ANTENK ELECTRONICS CO., LTD
[Http://www.antenk.com](http://www.antenk.com)
 E-mail:sales@antenk.com

TITLE: 2.50mm pitch Housing connector series

DRAWING NO: BH2513-XP

PRODUCT NO: BH2513-XP

REV	DESCRIPTION	DATE
1		
2		
3		
4		
5		