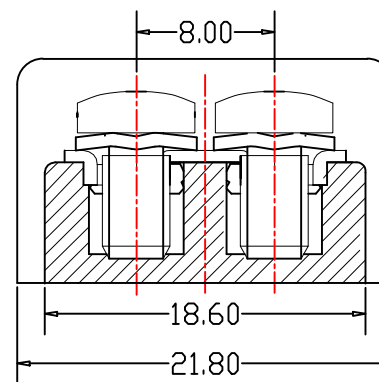
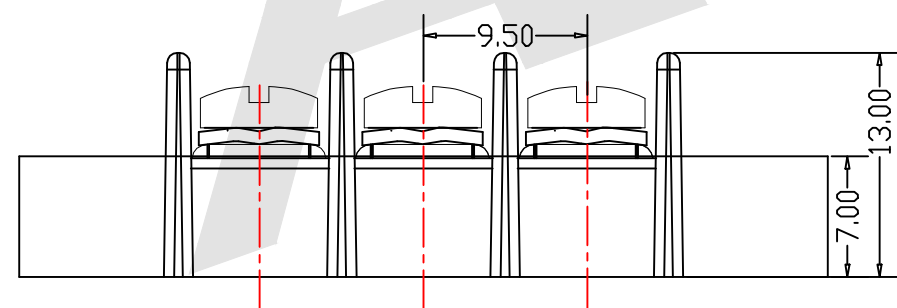
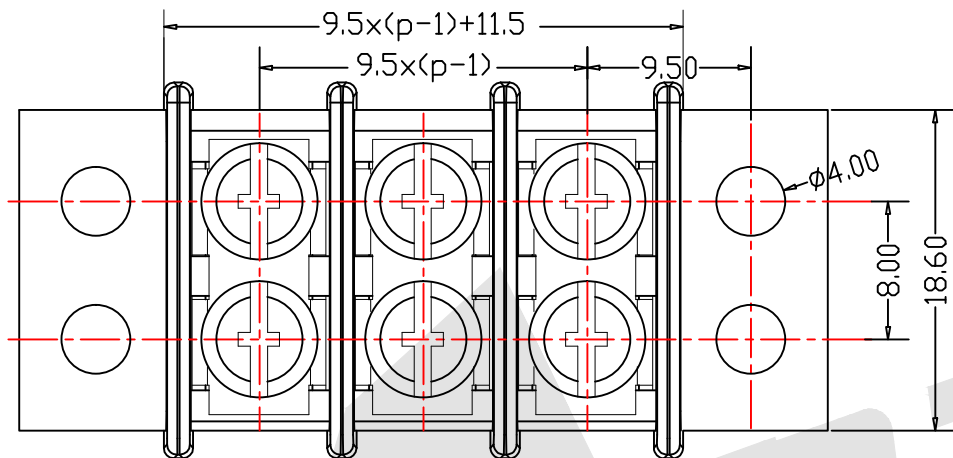


HSF

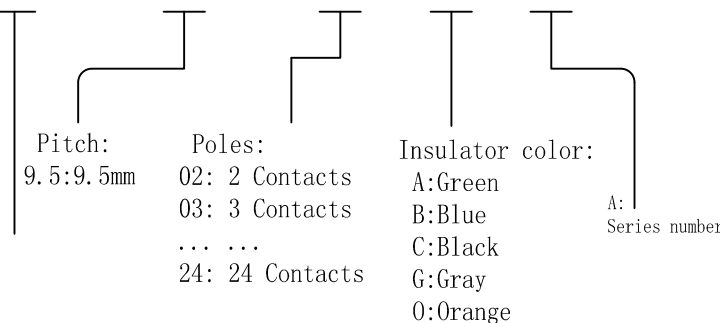


SPECIFICATION

Voltage Rating (额定电压): 300V
 Current Rating (额定电流): 20A
 Wire range (使用线径): 22-12AWG 4.0mm²
 Housing (塑件): PA66+23%GF, UL94V-0
 Terminal (端子): Brass, Tin Plated (黄铜, 镀锡)
 Screw (螺丝): Steel, M3.5 Ni-Plated (钢, 镀锌)
 Torque (扭力): 1N.m

Ordering Code:

AT848 - 9.5 - XX - X -A



Unless Otherwise specified tolerance
 X. ±0.35 X.XX: ±0.20
 X.X: ±0.25 X.XXX: ±0.15

Antenk ANTENK ELECTRONICS CO., LTD
[Http://www.antenk.com](http://www.antenk.com)
 E-mail: sales@antenk.com

SCALE: As Shown UNIT: mm
 DRAW Wu Sai DATE 22/03/2018
 CHECK BobYang DATE 22/03/2018

TITLE:
 Barrier Terminal Block Pitch:9.5mm



DRAWING NO: AT848-9.5XXX-A
 PRODUCT NO: AT848-9.5XXX-A

REV	DESCRIPTION	DATE
1		
2		
3		
4		
5		