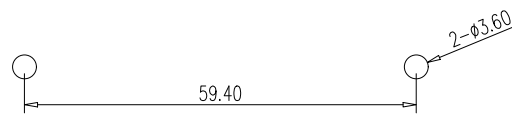
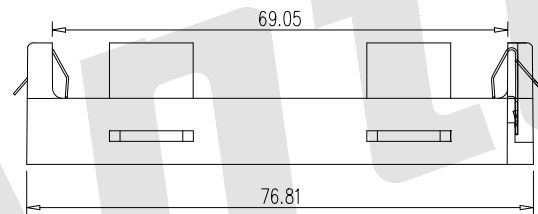
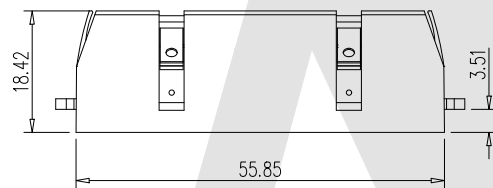
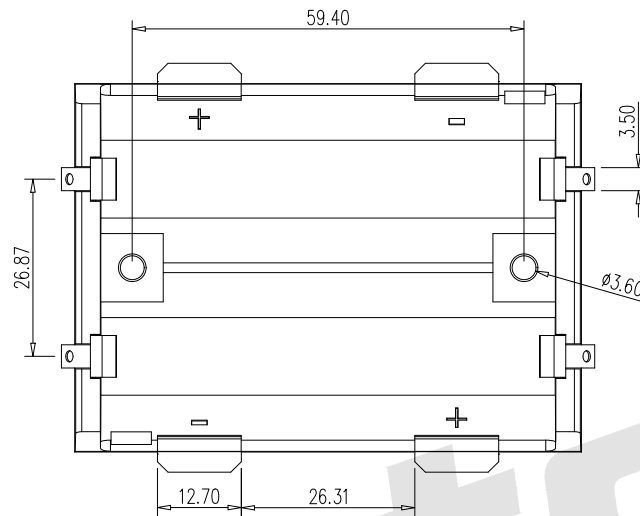
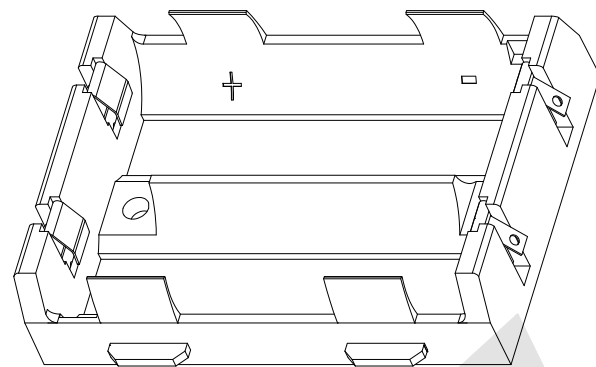


HSF



MTG. DETAIL

NOTE 说明:

- 1. BASE 底座:
MAT'L 材质: PA46+15%GF, BLACK
- 2. CONTACT:
MAT'L: 0.3MM THK STAINLESS STEEL

BBC - W - G0 - A - 109
① ② ③ ④ ⑤

- ① BBC: Battery Holder 电池盒
- ② Appearance for the product 连接形式
W: Solder Tail
- ③ Contact Plating 端子电镀
SI: Tin NICKEL Plated 锡镍合金 G2: 5U" Gold 金
SN: Tin 锡 G3: 10U" Gold 金
G0: Gold flash 普金 G4: 15U" Gold 金
G1: 3U" Gold 金 G5: 30U" Gold 金
- ④ Packing method 包装方式
A: Tray packing 吸塑盒装
B: BAG 袋装
- ⑤ Product number 产品编号
109

Unless Otherwise specified tolerance
 X.±0.35 X.XX:±0.20
 X.X:±0.25 X.XXX:±0.15

SCALE: As Shown UNIT: mm
 DRAW ZLA DATE 05/17/2023
 CHECK BobYang DATE 05/17/2023

VER./版本号

 3rd ANGLE PROJECTION

 ANTENK ELECTRONICS CO.,LTD
 Http://www.antenk.com
 E-mail:sales@antenk.com

TITLE: Dual Battery Holder For 26650 Solder Tail

DRAWING NO: BBC-W-G0-A-109

PRODUCT NO: BBC-W-G0-A-109

MK/标记

DESCRIPTION/修订内容

DATE/日期(M/D/Y)