



Ordering Information:

AW1501R-XP - **

1 2

1.Part No.

2.Color:

(blank):Brown

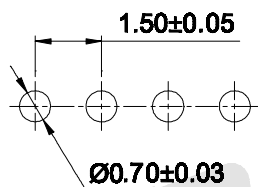
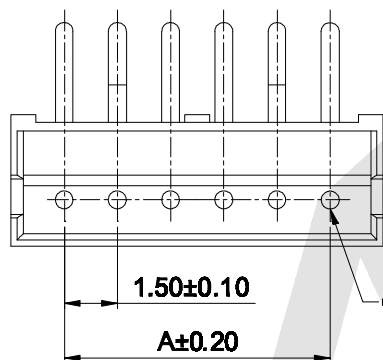
WH:White

SPECIFICATIONS

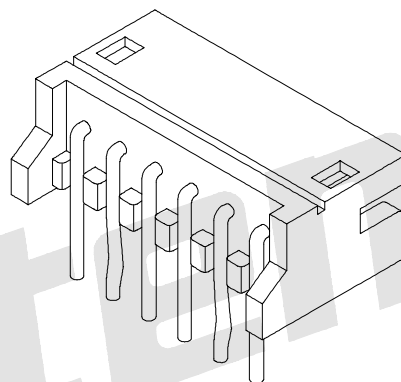
- Voltage rating: 100V AC,DC
- Current rating: 1A AC,DC
- Withstanding Voltage: 500V AC/minute
- Insulation resistance:500MΩ min
- Temperature range: -40℃~+105℃

WAFER

- Part NO: AW1501R-xP
- Material: Pin: Brass/Tin over Nickel
Insulator: Nylon 66, UL94V-0
- Mates with: AH1501 series Housing
- Color: Brown



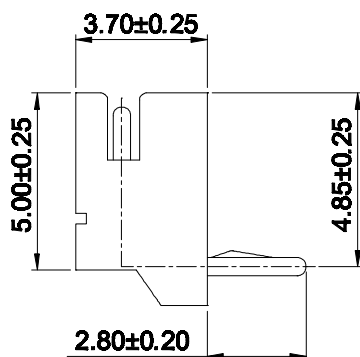
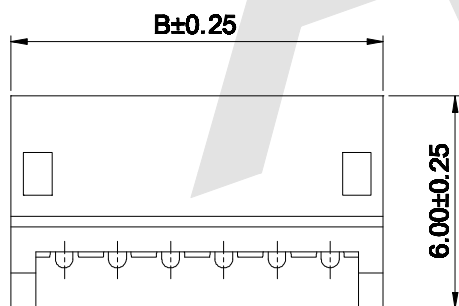
P.C.B LAYOUT



Ordering Information & Dimensions:

Poles	Part No.	Dimensions(mm)	
		A	B
02	AW1501R-02P	1.50	4.50
03	AW1501R-03P	3.00	6.00
04	AW1501R-04P	4.50	7.50
05	AW1501R-05P	6.00	9.00
06	AW1501R-06P	7.50	10.50
07	AW1501R-07P	9.00	12.00
08	AW1501R-08P	10.50	13.50
09	AW1501R-09P	12.00	15.00
10	AW1501R-10P	13.50	16.50
11	AW1501R-11P	15.00	18.00
12	AW1501R-12P	16.50	19.50
13	AW1501R-13P	18.00	21.00
15	AW1501R-15P	21.00	24.00

Unit:mm



Unless Otherwise specified tolerance
 X ±0.35 X, XX:±0.20
 X, X:±0.25 X, XXX:±0.15

SCALE: As Shown UNIT: mm
 DRAW Jack Bao DATE 12/15/2017
 CHECK Bob Yang DATE 12/15/2017



Antenk ANTENK ELECTRONICS CO.,LTD
 Http://www.antenk.com
 E-mail:sales@antenk.com

TITLE: 1.50mm pitch 90° Wafer Connector Series

DRAWING NO: AW1501R-xP

PRODUCT NO: AW1501R-xP

REV	DESCRIPTION	DATE
1		
2		
3		
4		
5		