

## SPECIFICATIONS:

- Voltage rating: 125V AC/DC
- Current rating: 1A AC/DC
- Withstanding Voltage: 500V AC/minute
- Insulation resistance: 100MΩ Min.
- Temperature range: -40°C To +105°C
- Contact resistance: 20mΩ Max.

## Standards

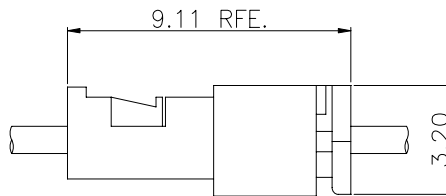
HSF



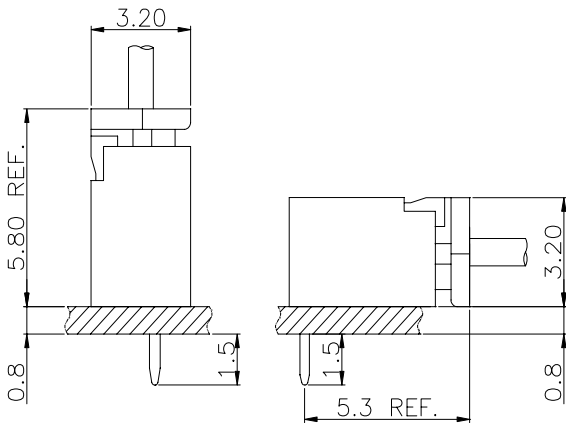
RoHS

Wire to Board

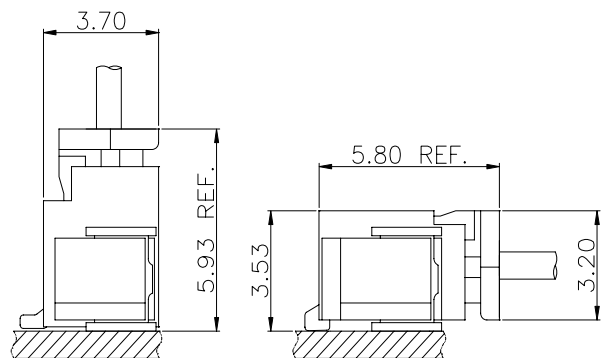
## Assembly Layout



Wire To Wire



DIP TYPE



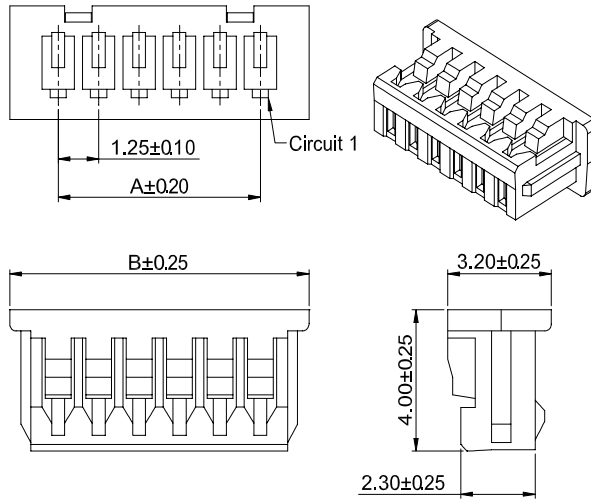
SMT TYPE

Connectors Expert Around You

## 1.25mm Pitch housing connector

### HOUSING

- Part NO.:AH1251-xP
- Suitable:AT1251T series Terminal
- Mates with:AW1251 series Wafer
- Material:Nylon 66,UL94V-0
- Color:White



Ordering Information & Dimensions:

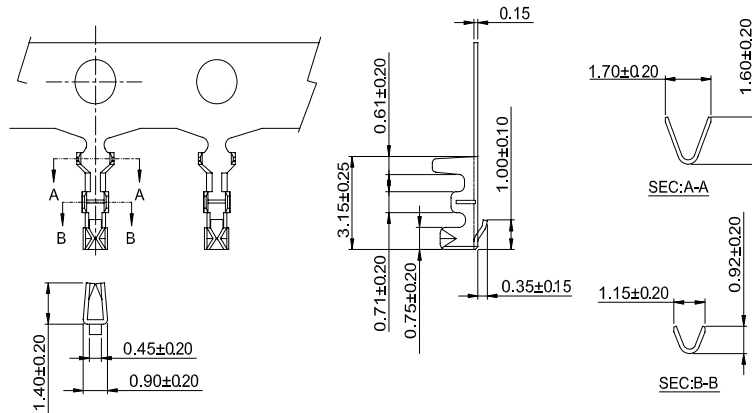
Poles	Part No.	Dimensions (mm)	
		A	B
02	AH1251-02P	1.25	4.25
03	AH1251-03P	2.50	5.50
04	AH1251-04P	3.75	6.75
05	AH1251-05P	5.00	8.00
06	AH1251-06P	6.25	9.25
07	AH1251-07P	7.50	10.50
08	AH1251-08P	8.75	11.75
09	AH1251-09P	10.00	13.00
10	AH1251-10P	11.25	14.25
11	AH1251-11P	12.50	15.50
12	AH1251-12P	13.75	16.75
13	AH1251-13P	15.00	18.00
14	AH1251-14P	16.25	19.25
15	AH1251-15P	17.50	20.50
16	AH1251-16P	18.75	21.75
17	AH1251-17P	20.00	23.00
18	AH1251-18P	21.25	24.25
19	AH1251-19P	22.50	25.50
20	AH1251-20P	23.75	26.75

Wire to Board

## 1.25mm Pitch crimp terminal connector

### TERMINAL

- Part NO:AT1251T-xP
- Applicable wire:AWG#28-#32
- Material:Phosphor Bronze
- Finish:Tin Plated or Gold
- Used in AH1251 series Housing



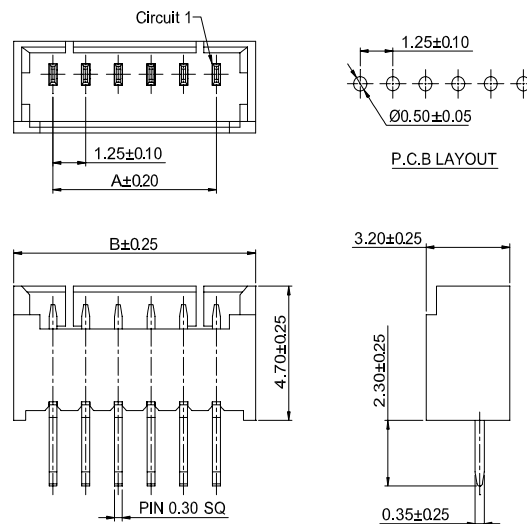
Ordering information & Specifications

Part NO.	Wire Range	Insulation O.D.	Material	Finish	Qty/reel
AT1251T-TP	AWG#28-#32	1.00mm(max)	Phosphor Bronze	Tin over Nickel	15,000 PCS
AT1251T-GP	AWG#28-#32	1.00mm(max)	Phosphor Bronze	Gold over Nickel	15,000 PCS

## 1.25mm Pitch 180° wafer connector

### WAFER

- Part NO:AW1251V-xP
- Material:
- Pin:Phosphor Bronze/Tin over Nickel
- Insulator:Nylon 66, UL94V-0
- Mates with:AH1251 series Housing
- Color: Ivory



Ordering Information & Dimensions:

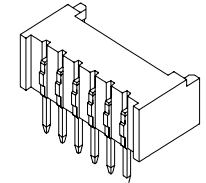
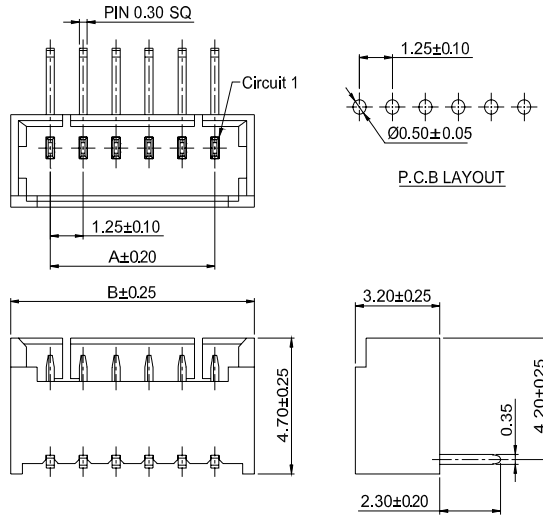
Poles	Part No.	Dimensions (mm)	
		A	B
02	AW1251V-02P	1.25	4.30
03	AW1251V-03P	2.50	5.55
04	AW1251V-04P	3.75	6.80
05	AW1251V-05P	5.00	8.05
06	AW1251V-06P	6.25	9.30
07	AW1251V-07P	7.50	10.55
08	AW1251V-08P	8.75	11.80
09	AW1251V-09P	10.00	13.05
10	AW1251V-10P	11.25	14.30
11	AW1251V-11P	12.50	15.55
12	AW1251V-12P	13.75	16.80
13	AW1251V-13P	15.00	18.05
14	AW1251V-14P	16.25	19.30
15	AW1251V-15P	17.50	20.55
16	AW1251V-16P	18.75	21.80
17	AW1251V-17P	20.00	23.05
18	AW1251V-18P	21.25	24.30
19	AW1251V-19P	22.50	25.55
20	AW1251V-20P	23.75	26.80

Connectors Expert Around You

## 1.25mm Pitch 90° wafer connector

WAFER

- Part NO:AW1251R-xP
- Material:Pin:Phosphor Bronze/Tin over Nickel
- Insulator:Nylon 66, UL94V-0
- Mates with:AH1251 series Housing
- Color: Ivory



Ordering Information & Dimensions:

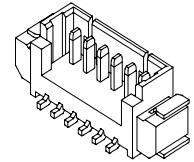
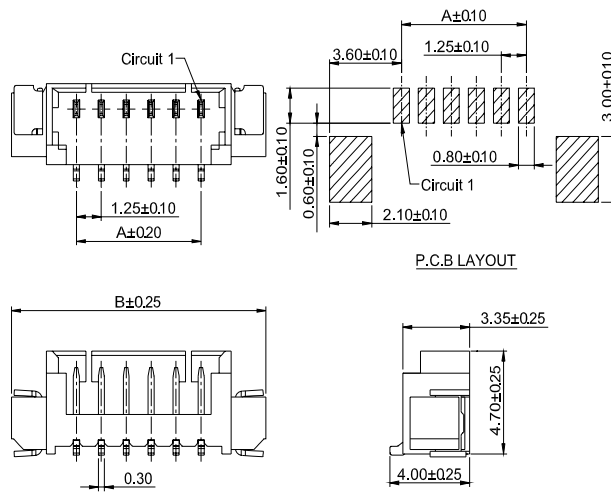
Poles	Part No.	Dimensions (mm)	
		A	B
02	AW1251R-02P	1.25	4.30
03	AW1251R-03P	2.50	5.55
04	AW1251R-04P	3.75	6.80
05	AW1251R-05P	5.00	8.05
06	AW1251R-06P	6.25	9.30
07	AW1251R-07P	7.50	10.55
08	AW1251R-08P	8.75	11.80
09	AW1251R-09P	10.00	13.05
10	AW1251R-10P	11.25	14.30
11	AW1251R-11P	12.50	15.55
12	AW1251R-12P	13.75	16.80
13	AW1251R-13P	15.00	18.05
14	AW1251R-14P	16.25	19.30
15	AW1251R-15P	17.50	20.55
16	AW1251R-16P	18.75	21.80
17	AW1251R-17P	20.00	23.05
18	AW1251R-18P	21.25	24.30
19	AW1251R-19P	22.50	25.55
20	AW1251R-20P	23.75	26.80

Wire to Board

## 1.25mm Pitch 180° wafer-smt connector

WAFER

- Part NO:AW1251V-S-xP
- Material:
- Pin:Phosphor Bronze/Tin over Nickel
- Solder Tabs:Phosphor Bronze/Tin over Nickel
- Insulator:Nylon 6T, UL94V-0
- Mates with:AH1251 series Housing
- Color: Ivory



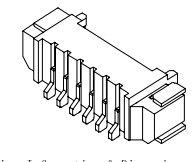
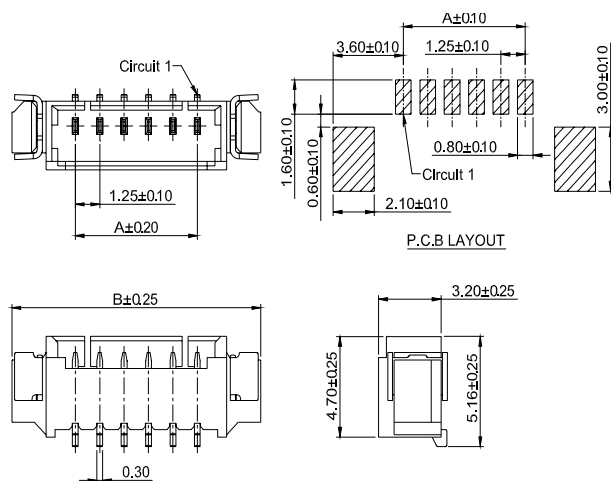
Ordering Information & Dimensions:

Poles	Part No.	Dimensions (mm)	
		A	B
02	AW1251V-S-02P	1.25	7.75
03	AW1251V-S-03P	2.50	9.00
04	AW1251V-S-04P	3.75	10.25
05	AW1251V-S-05P	5.00	11.50
06	AW1251V-S-06P	6.25	12.75
07	AW1251V-S-07P	7.50	14.00
08	AW1251V-S-08P	8.75	15.25
09	AW1251V-S-09P	10.00	16.50
10	AW1251V-S-10P	11.25	17.75
11	AW1251V-S-11P	12.50	19.00
12	AW1251V-S-12P	13.75	20.25
13	AW1251V-S-13P	15.00	21.50
14	AW1251V-S-14P	16.25	22.75
15	AW1251V-S-15P	17.50	24.00
16	AW1251V-S-16P	18.75	25.25
17	AW1251V-S-17P	20.00	26.50
18	AW1251V-S-18P	21.25	27.75
19	AW1251V-S-19P	22.50	29.00
20	AW1251V-S-20P	23.75	30.25

## 1.25mm Pitch 90° wafer-smt connector

WAFER

- Part NO:AW1251R-S-xP
- Material:
- Pin:Phosphor Bronze/Tin over Nickel
- Solder Tabs:Phosphor Bronze/Tin over Nickel
- Insulator:Nylon 6T, UL94V-0
- Mates with:AH1251 series Housing
- Color: Ivory



Ordering Information & Dimensions:

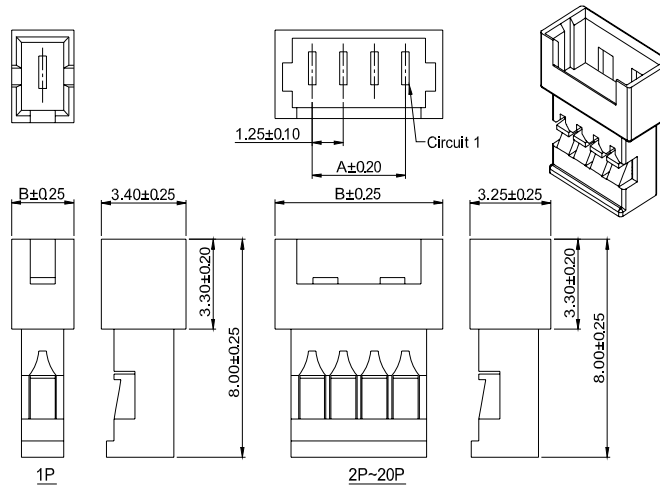
Poles	Part No.	Dimensions (mm)	
		A	B
02	AW1251R-S-02P	1.25	7.75
03	AW1251R-S-03P	2.50	9.00
04	AW1251R-S-04P	3.75	10.25
05	AW1251R-S-05P	5.00	11.50
06	AW1251R-S-06P	6.25	12.75
07	AW1251R-S-07P	7.50	14.00
08	AW1251R-S-08P	8.75	15.25
09	AW1251R-S-09P	10.00	16.50
10	AW1251R-S-10P	11.25	17.75
11	AW1251R-S-11P	12.50	19.00
12	AW1251R-S-12P	13.75	20.25
13	AW1251R-S-13P	15.00	21.50
14	AW1251R-S-14P	16.25	22.75
15	AW1251R-S-15P	17.50	24.00
16	AW1251R-S-16P	18.75	25.25
17	AW1251R-S-17P	20.00	26.50
18	AW1251R-S-18P	21.25	27.75
19	AW1251R-S-19P	22.50	29.00
20	AW1251R-S-20P	23.75	30.25

Connectors Expert Around You

## 1.25mm Pitch housing connector

### HOUSING

- Part NO.:AH1251M-xP
- Suitable:AT1251MT series Terminal
- Mates with:AH1251 series Housing
- Material:Nylon 66,UL94V-0
- Color:White



Ordering Information & Dimensions:

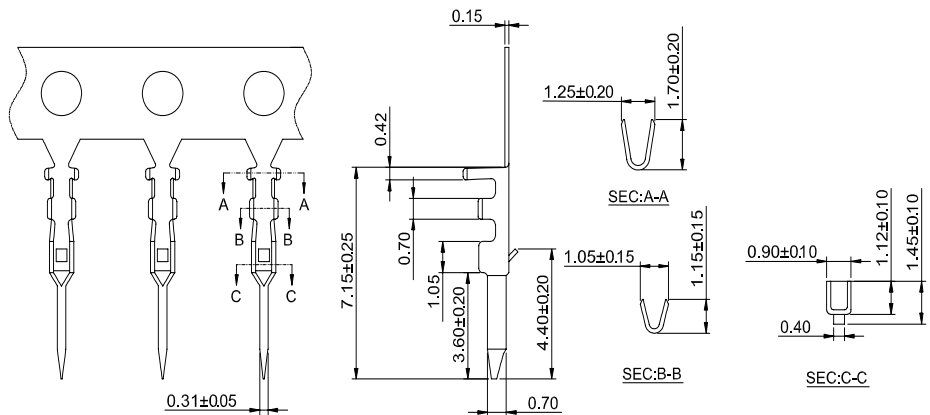
Poles	Part No.	Dimensions (mm)	
		A	B
01	AH1251M-01P	—	2.50
02	AH1251M-02P	1.25	4.25
03	AH1251M-03P	2.50	5.50
04	AH1251M-04P	3.75	6.75
05	AH1251M-05P	5.00	8.00
06	AH1251M-06P	6.25	9.25
07	AH1251M-07P	7.50	10.50
08	AH1251M-08P	8.75	11.75
09	AH1251M-09P	10.00	13.00
10	AH1251M-10P	11.25	14.25
11	AH1251M-11P	12.50	15.50
12	AH1251M-12P	13.75	16.75
13	AH1251M-13P	15.00	18.00
14	AH1251M-14P	16.25	19.25
15	AH1251M-15P	17.50	20.50
16	AH1251M-16P	18.75	21.75
17	AH1251M-17P	20.00	23.00
18	AH1251M-18P	21.25	24.25
19	AH1251M-19P	22.50	25.50
20	AH1251M-20P	23.75	26.75

Wire to Board

## 1.25mm Pitch crimp terminal connector

### TERMINAL

- Part NO:AT1251MT-xP
- Applicable wire:AWG#28-#32
- Material:Phosphor Bronze
- Finish:Tin Plated or Gold
- Used in AH1251M series Housing



Ordering information & Specifications

Part NO.	Wire Range	Insulation O.D.	Material	Finish	Qty/reel
AT1251MT-1P	AWG#28-#32	1.00mm(max)	Phosphor Bronze	Tin over Nickel	15,000 PCS
AT1251MT-6P	AWG#28-#32	1.00mm(max)	Phosphor Bronze	Gold over Nickel	15,000 PCS