

HSF



ROHS

NOTES:

1. Specification:

- 1.1 Insertion Force:35N max.
- 1.2 Withdrawal Force:10N min. initial
8-20N after 3000 cycles
- 1.3 Current Rating:1.0A
- 1.4 Voltage Rating:30V
- 1.5 Mating Life:3000 cycles min
- 1.6 Dielectric Withstanding Voltage:100V AC min.
- 1.7 Contact Resistance:30mΩ max. initial
40mΩ max. after 3000 cycles
- 1.8 Insulation Resistance:100mΩ min.
- 1.9 Operating Temperature Range:-30° ~80°

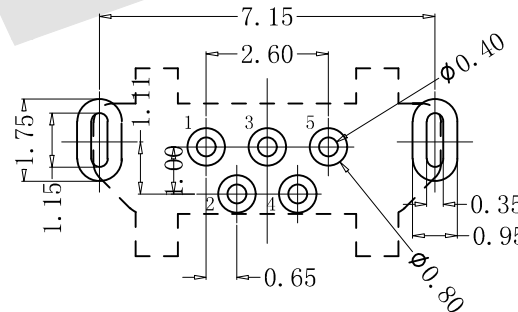
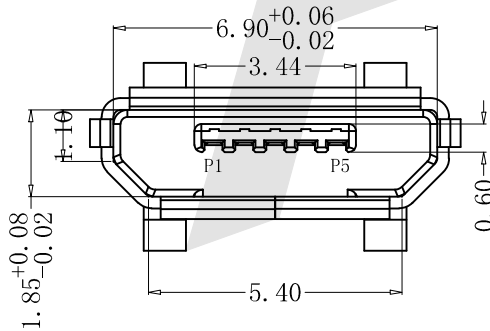
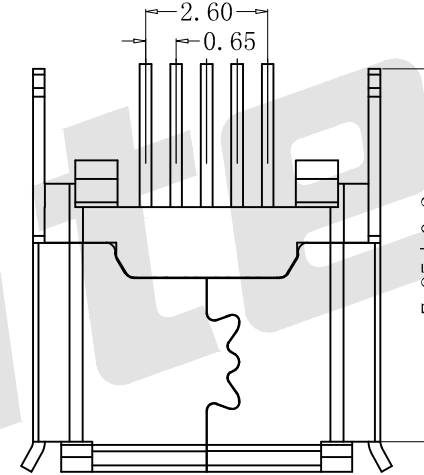
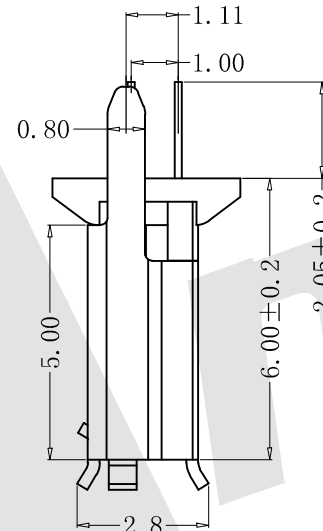
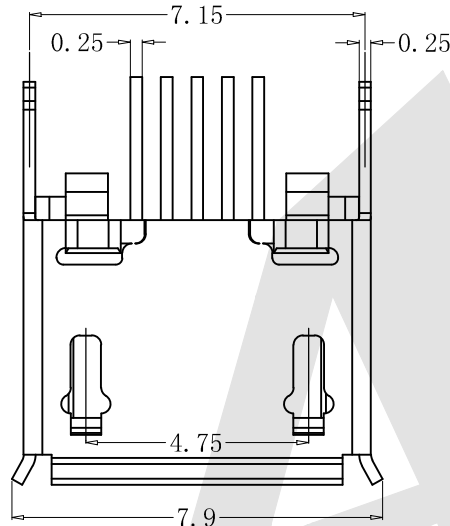
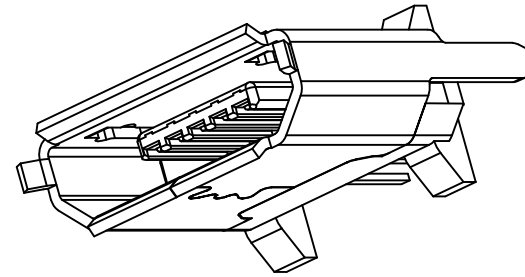
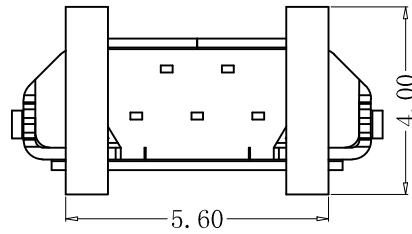
2. Material

- 2.1 Plastic core:LCP UL94V-0
- 2.2 Terminal:C2680, Ni substrates, Gold plated 1 μ
- 2.3 Housing:SUS

Ordering Code:

MUFS04 - X - L - X - X - X
 ① ② ③ ④ ⑤ ⑥

- ① Series No:
- ② Shell Material:
B:Brass
S:stainless steel
- ③ Insulator Material:
P:PBT+30%GF
L:LCP
- ④ Contact Material:
B:Brass
P:phosphor copper
- ⑤ Contact Plating
G0: Gold flash
G1: 3u" Gold
G2: 5u" Gold
G3: 10u" Gold
G4: 15u" Gold
G5: 30u" Gold
- ⑥ Packing
A:Tray
B:Bag
C:Tube
D:Tape & Reel



RECOMMENDED PCB LAYOUT

Unless Otherwise specified tolerance
 X. ±0.35 X.XX: ±0.20
 X.X: ±0.25 X.XXX: ±0.15

Antenk® ANTENK ELECTRONICS CO., LTD
 Http://www.antenk.com
 E-mail:sales@antenk.com

SCALE: As Shown	UNIT: mm
DRAW ZLA	DATE 08/02/2022
CHECK BobYang	DATE 08/02/2022

TITLE:
Micro usb2.0 5P vertical straight 6.5mm with curl edge



DRAWING NO: MUFS04-XLXXX

PRODUCT NO: MUFS04-XLXXX

REV	DESCRIPTION	DATE