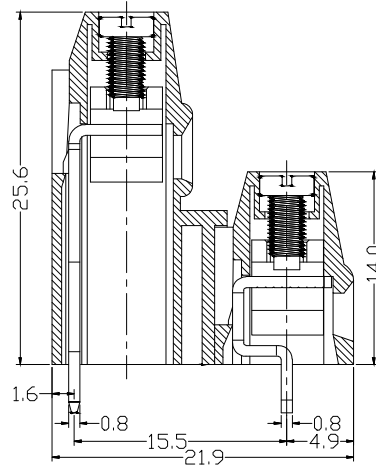
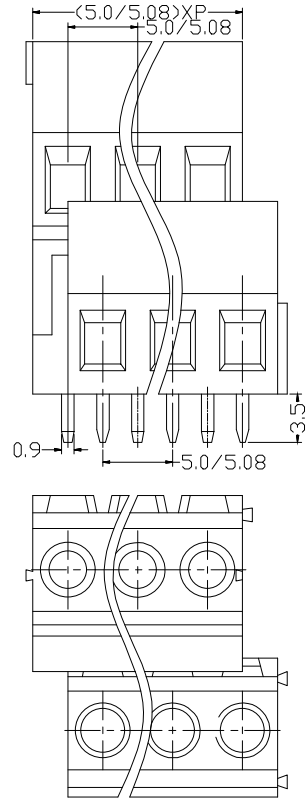


HSF



ROHS



Specification:

300V 10A 24-12AWG 2.5mm<sup>2</sup>  
 Poles: 2\*(2P&3P- 24P)  
 Pitch: 5.0mm/5.08mm

Materials:

Housing: PA66 (UL 94V-0)  
 Solder Pin: Brass, Tin Plated  
 Wire Cage: Brass, Nickel Plated  
 Screw: M2. 5, Steel (A3), Zinc Plated  
 Torque: 0. 4N.M

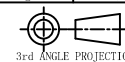
Ordering Code:

AT500EK - 5.0/5.08 - X - X - A  
 ① ② ③ ④ ⑤

- ① Serial Number: AT500EK
- ② Pitch: 5.0:5.0mm  
5.08:5.08mm
- ③ Poles: 02:02 Contacts  
03:03 Contacts  
04:04 Contacts  
.....  
24:24 Contacts
- ④ Insulator Color: A:Green B:Blue  
C:Black G:Gray
- ⑤ Series Number: A

Unless Otherwise specified tolerance  
 X. ±0.35 X.XX: ±0.20  
 X.X: ±0.25 X.XXX: ±0.15

SCALE: As Shown UNIT: mm  
 DRAW ZLA DATE 21/02/2022  
 CHECK BobYang DATE 21/02/2022



**Antenk** ANTENK ELECTRONICS CO., LTD  
[Http://www.antenk.com](http://www.antenk.com)  
 E-mail: sales@antenk.com

TITLE: PCB Screw Terminal Block Pitch 5.0/5.08

DRAWING NO: AT500EK-5.0/5.08-X-X-A

PRODUCT NO: AT500EK-5.0/5.08-X-X-A

REV	DESCRIPTION	DATE
1		