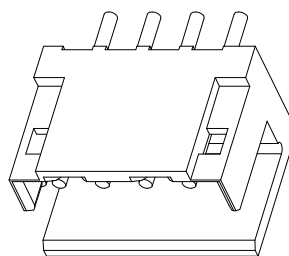


HSF



ROHS



SPECIFICATIONS

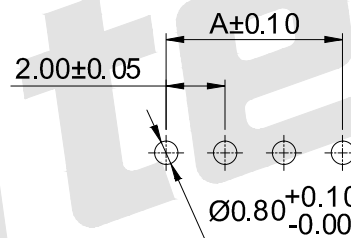
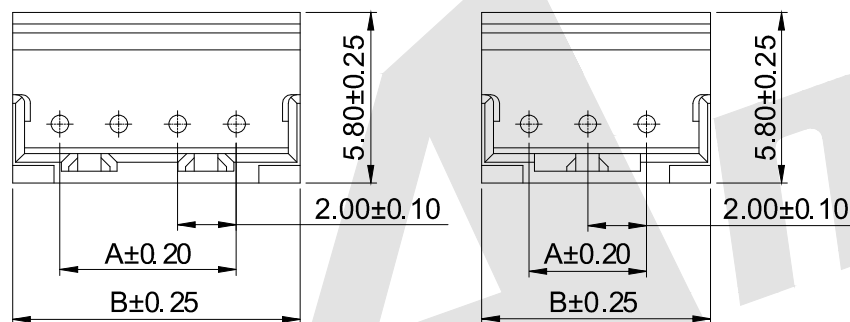
- Voltage rating: 125V AC, DC
- Current rating: 4A, AC, DC
- Withstanding Voltage: 1000V AC/minute
- Insulation resistance: 1000MΩ min
- Temperature range: -40°C~+105°C

WAFER

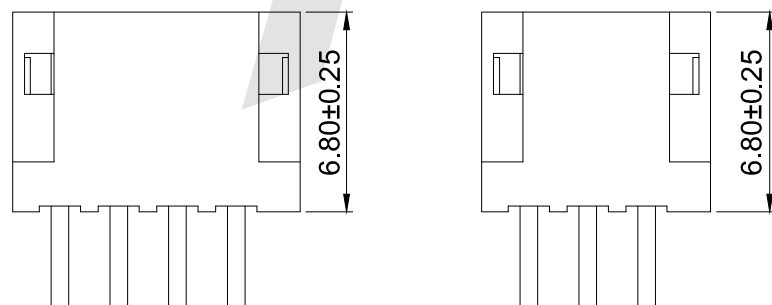
- Part NO: AW2007VD-NP
- Material: Pin: Brass/Tin over Nickel
Insulator: Nylon 66, UL94V-0
- Mates with: AH2007 series Housing
- Color: White

Ordering Information & Dimensions:

Poles	Part No.	Dimensions (mm)	
		A	B
2	AW2007VD-02P	2.00	5.80
3	AW2007VD-03P	4.00	7.80
4	AW2007VD-04P	6.00	9.80
5	AW2007VD-05P	8.00	11.80
6	AW2007VD-06P	10.00	13.80
7	AW2007VD-07P	12.00	15.80
8	AW2007VD-08P	14.00	17.80
9	AW2007VD-09P	16.00	19.80
10	AW2007VD-10P	18.00	21.80
11	AW2007VD-11P	20.00	23.80
12	AW2007VD-12P	22.00	25.80
13	AW2007VD-13P	24.00	27.80
14	AW2007VD-14P	26.00	29.80
15	AW2007VD-15P	28.00	31.80



P.C.B LAYOUT



4P~15P

2P~3P

Unless Otherwise specified tolerance
 X. ±0.35 X.XX: ±0.20
 X.X: ±0.25 X.XXX: ±0.15



ANTENK ELECTRONICS CO., LTD
 Http://www.antenk.com
 E-mail:sales@antenk.com

SCALE: As Shown	UNIT: mm
DRAW Jack Bao	DATE 10/21/2017
CHECK Bob Yang	DATE 10/21/2017

TITLE: 2.00mm pitch 180° Wafer
Connector Series



DRAWING NO: AW2007VD-NP

PRODUCT NO: AW2007VD-NP

REV	DESCRIPTION	DATE