

HSF



ROHS

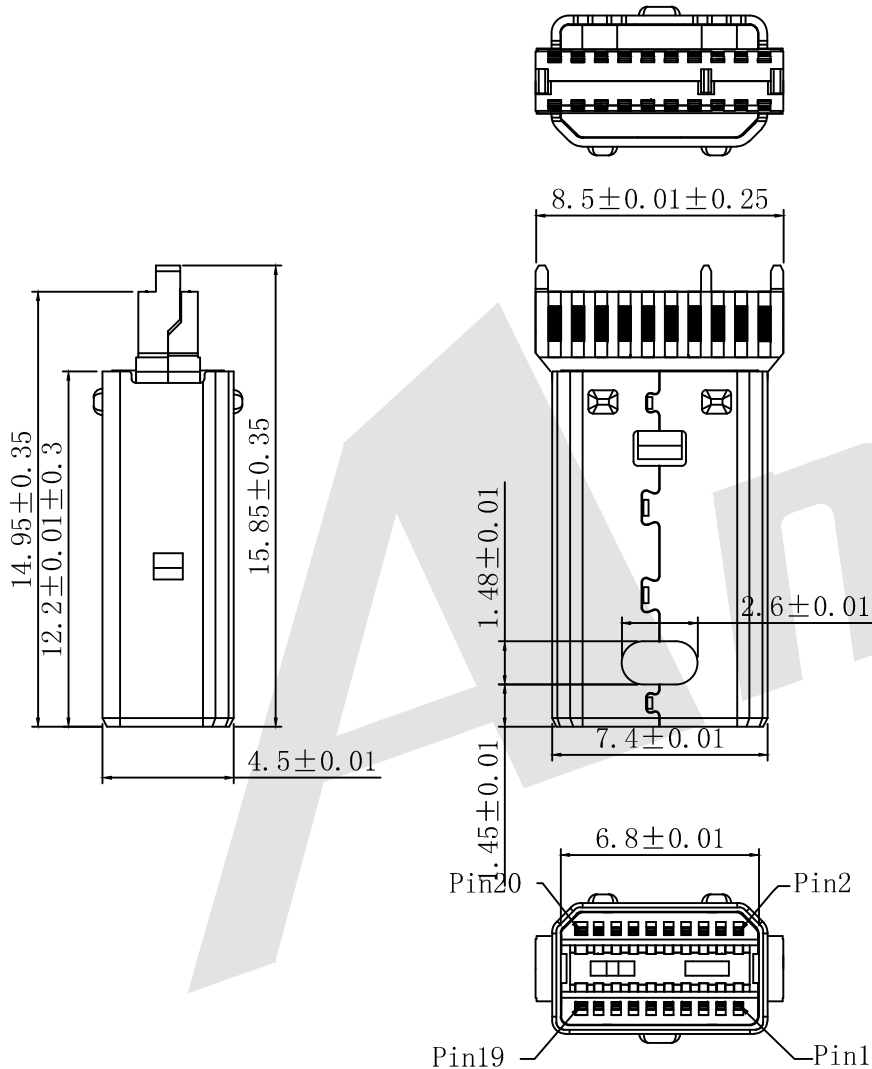
NOTES:

1. Material
Body: LCP
Molding: LCP ,Black
Contact: Copper Alloy;
Shell: SPCC;
2. Plating:
Contact:Gold plating over on contact area, Tin(50U' MIN) Plating on Solder Tail.
Shell: Nickle Plating.
3. Electrical Specification
Current Rating: 1.5 A
Contact Resistance: 30 mΩ max.
Insulation Resistance: 100MΩ Min
Withstanding Voltage: 500V AC for 1 minute

Ordering Code:

MDP - M - X - X - 03
① ② ③ ④ ⑤

- ① Series No:
- ② Male/female:
M:Male
- ③ Contact Plating:
1: Selective 1u"
2: Selective 3u"
3: Selective 5u"
4: Selective 15u"
5: Selective 30u"
6: All Gold
- ④ Shell Plating:
1:Nickel Plated
2:Tin-Nickel Plated
3:Gold Plated
- ⑤ series number:
03



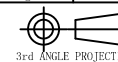
Unless Otherwise specified tolerance

X. ±0.35 X.XX: ±0.20
X.X: ±0.25 X.XXX: ±0.15

SCALE: As Shown UNIT: mm

DRAW ZLA DATE 24/03/2022

CHECK BobYang DATE 24/03/2022



Antenk ANTENK ELECTRONICS CO., LTD
Http://www.antenk.com
E-mail:sales@antenk.com

TITLE: Mini Display Port Plug(With 3 sticking point)

DRAWING NO: MDP-M-X-X-03

PRODUCT NO: MDP-M-X-X-03

REV	DESCRIPTION	DATE
1		