

HSF

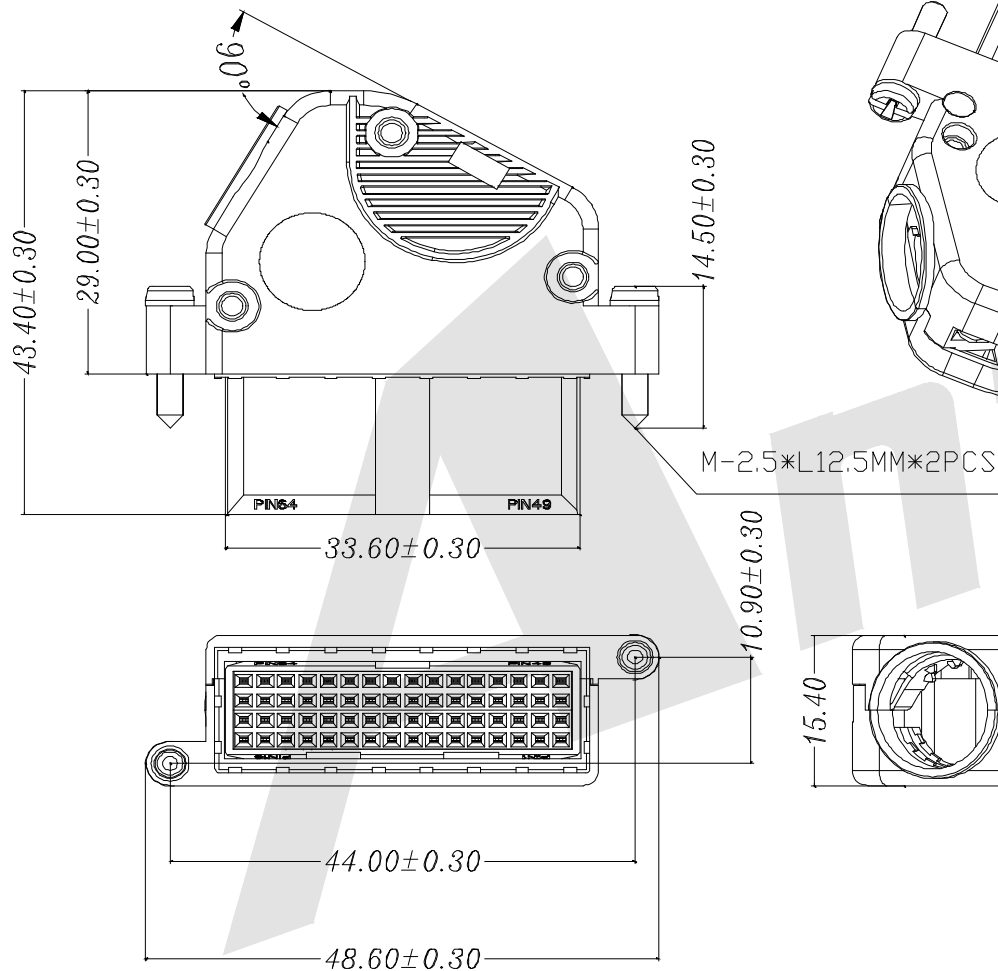


Material:
 Insulator: PBT U194V-0
 Contacts: Copper Alloy
 Cable Clamp: Steel
 Ground Strip: Steel
 Screw: Steel
 Shell: Zinc Alloy Nickel Plated
 Electrical Characteristics:
 Current Rating: 1AMP
 Insulation Resistance: 5000MΩ min.
 Contact Resistance: 50mΩ max
 Withstand Voltage: AC 1000V For 1 Minute
 Insertion: 0.3KG/PIN MAX
 Withdrawal: 0.02KG/PIN MIN
 Operating Temperature: -55° C to +125° C

Ordering Code:

VDSL - 4 A XX X CB G5 X
 ① ②③④⑤⑥⑦⑧

- ① Series
- ② 4 Row
- ③ A: IDC Type
- ④ No. of Contacts
 64:4*6=64P 96:4*24=96P
- ⑤ 1:AWG 24/26
 2:AWG 28/30
- ⑥ DIP TIN CONTACT AU+PD/NI
- ⑦ Contact Plating:
 G0:Gold flash S0:Selective
 G1:3U" Gold S1:Selective 3u"
 G2:5u" Gold S2:Selective 5u"
 G3:10u" Gold S3:Selective 10u"
 G4:15u" Gold S4:Selective 15u"
 G5:30u" Gold S5:Selective 30u"
- ⑧ SN: Tin
- ⑨ Packing:
 A:Tray
 B:Bag



Unless Otherwise specified tolerance
 X. ±0.35 X.XX: ±0.20
 X.X: ±0.25 X.XXX: ±0.15

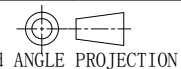
Antenk® ANTENK ELECTRONICS CO., LTD
 Http://www.antenk.com
 E-mail:sales@antenk.com

SCALE: As Shown	UNIT: mm
DRAW Wu Feng Rong	DATE 08/17/2021
CHECK BobYang	DATE 08/17/2021

TITLE:
 2.00MM VDSL 64P IDC Cable Connector

DRAWING NO: VDSL-4AXXCBG5X

PRODUCT NO: VDSL-4AXXCBG5X



3rd ANGLE PROJECTION

REV	DESCRIPTION	DATE