

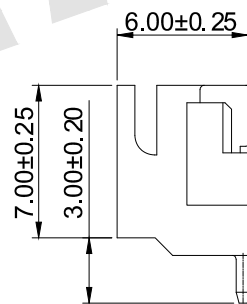
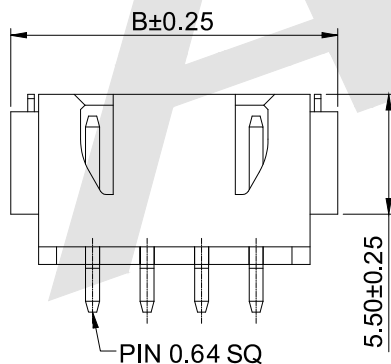
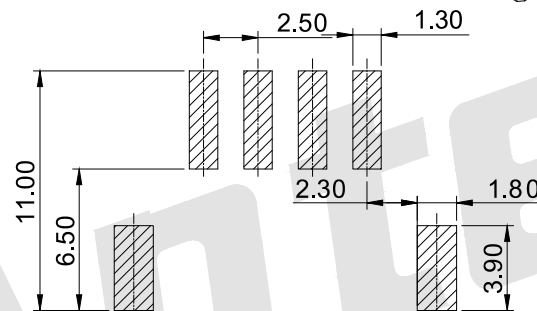
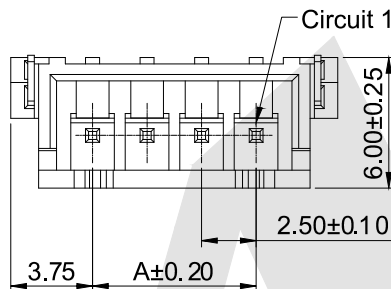
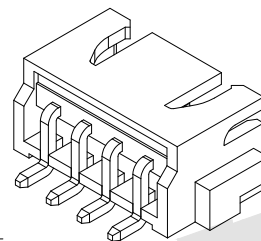


### SPECIFICATIONS

- Voltage rating: 250V AC/DC
- Current rating: 3A AC, DC
- Withstanding Voltage: 800V AC/minute
- Insulation resistance: 1000MΩ min
- Temperature range: -40°C~+105°C

### WAFER

- Part NO: AW2501R-S-xP
- Material: Pin: Brass/Tin over Nickel  
Insulator: Nylon 66, UL94V-0
- Mates with: AH2501 series Housing
- Color: White



### Ordering Information & Dimensions:

PART NO.	Dimensions	
	A	B
AW2501R-S-2P	2.50	10.00
AW2501R-S-3P	5.00	12.50
AW2501R-S-4P	7.50	15.00
AW2501R-S-5P	10.00	17.50
AW2501R-S-6P	12.50	20.00
AW2501R-S-7P	15.00	22.50
AW2501R-S-8P	17.50	25.00
AW2501R-S-9P	20.00	27.50
AW2501R-S-10P	22.50	30.00
AW2501R-S-11P	25.00	32.50
AW2501R-S-12P	27.50	35.00
AW2501R-S-13P	30.00	37.50
AW2501R-S-14P	32.50	40.00
AW2501R-S-15P	35.00	42.50
AW2501R-S-16P	37.50	45.00



Unit: mm

Unless Otherwise specified tolerance  
 X. ±0.35 X.XX: ±0.20  
 X.X: ±0.25 X.XXX: ±0.15

SCALE: As Shown UNIT: mm  
 DRAW: Jack Bao DATE: 5/1/2018  
 CHECK: Bob Yang DATE: 5/1/2018

**Antenk** ANTENK ELECTRONICS CO., LTD  
[Http://www.antenk.com](http://www.antenk.com)  
 E-mail: sales@antenk.com

TITLE: 2.50mm pitch 90° Wafer-SMT TYPE  
 Connector Series

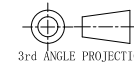
DRAWING NO: AW2501R-S-xP

PRODUCT NO: AW2501R-S-xP



Revise Pin Range  
 DESCRIPTION

11/30/2023  
 DATE



3rd ANGLE PROJECTION