



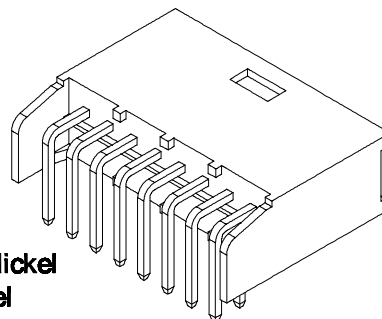
Ordering Information:
AW2549R-2xNP-**-**

1 2

1.Part No.

2.Finish

(Blank)-Tin Over Nickel
G-Gold Over Nickel

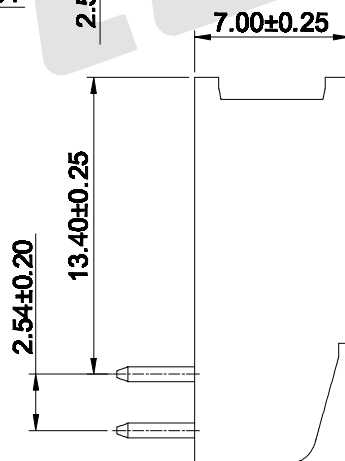
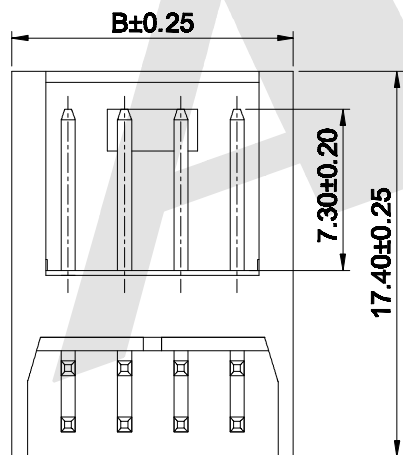
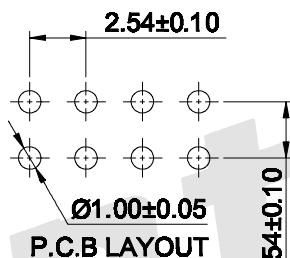
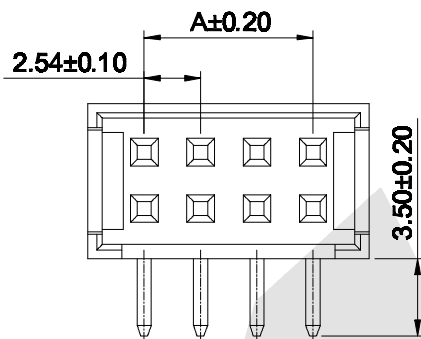


SPECIFICATIONS

- Voltage rating: 250V AC,DC
- Current rating: 3A AC,DC
- Withstanding Voltage: 1000V AC/minute
- Insulation resistance:1000MΩ min
- Temperature range: -40°C~+105°C

WAFER

- Part NO: AW2549R-2xNP
- Material: Pin: Brass/Tin over Nickel
Insulator: PBT, UL94V-0
- Mates with: AH2549-2 series Housing
- Color: Black



Ordering Information & Dimensions:

Poles	Part No.	Dimensions (mm)	
		A	B
04	AW2549R-2x02P	2.54	7.62
06	AW2549R-2x03P	5.08	10.16
08	AW2549R-2x04P	7.62	12.70
10	AW2549R-2x05P	10.16	15.24
12	AW2549R-2x06P	12.70	17.78
14	AW2549R-2x07P	15.24	20.32
16	AW2549R-2x08P	17.78	22.86
18	AW2549R-2x09P	20.32	25.40
20	AW2549R-2x10P	22.86	27.94
22	AW2549R-2x11P	25.40	30.48
24	AW2549R-2x12P	27.94	33.02
26	AW2549R-2x13P	30.48	35.56
28	AW2549R-2x14P	33.02	38.10
30	AW2549R-2x15P	35.56	40.64
32	AW2549R-2x16P	38.10	43.18
34	AW2549R-2x17P	40.64	45.72
36	AW2549R-2x18P	43.18	48.26
38	AW2549R-2x19P	45.72	50.80
40	AW2549R-2x20P	48.26	53.34
42	AW2549R-2x21P	50.80	55.88
44	AW2549R-2x22P	53.34	58.42

Unit:mm

Unless Otherwise specified tolerance
I ±0.35 I, XX: ±0.20
I, X: ±0.25 I, XXX: ±0.15

SCALE: As Shown UNIT: mm
DRAW Jack Bao DATE 07/18/2018
CHECK Bob Yang DATE 07/18/2018



Antenk © ANTENK ELECTRONICS CO.,LTD
Http://www.antenk.com
E-mail:sales@antenk.com

TITLE: 2.54mm pitch Dual Row 90° Wafer Connector Series

DRAWING NO: AW2549R-2xNP

PRODUCT NO: AW2549R-2xNP

REV DESCRIPTION

DATE

1 2 3 4 5 6 7 8