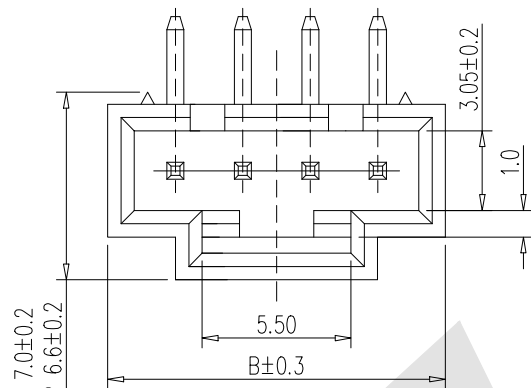
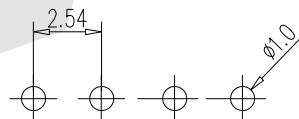
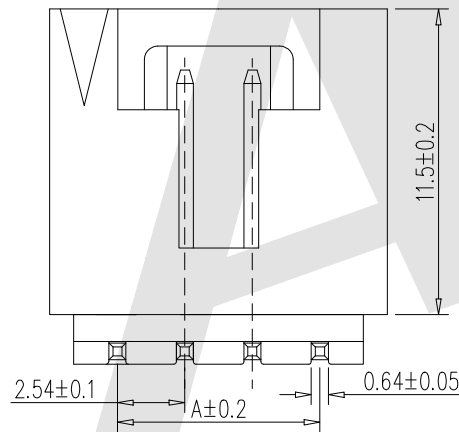


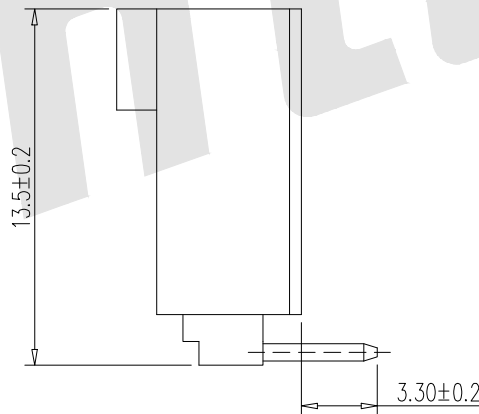
HSF



2P-6P 7.0±0.2
7P-20P 6.6±0.2



P.C.B LAYOUT



■SPECIFICATIONS规格

- Voltage rating 额定电压: 250V AC交流/DC直流
- Current rating 额定电流: 3A AC交流/DC直流
- Withstanding Voltage 耐电压: 1500V AC交流/minute 1分钟
- Insulation resistance 绝缘电阻: 1000MΩ min最小
- Temperature range 工作温度: -25°C~+85°C
- Contact resistance 接触电阻: 20mΩ max最大
- WAFER 针座
- Part No. 产品编号: AW2547R-NP
- Poles 极数: 02-20
- Material 材料: Nylon 66 UL94V-0 +GF15%
- Pin Material 端子材料: Brasa 黄铜 /Gold-flash 镀金

Part No.	Dimension(mm)	
	A	B
AW2547R-02P	2.54	7.62
AW2547R-03P	5.08	10.16
AW2547R-04P	7.62	12.70
AW2547R-05P	10.16	15.24
AW2547R-06P	12.70	17.78
AW2547R-07P	15.24	20.32
AW2547R-08P	17.78	22.86
AW2547R-09P	20.32	25.40
AW2547R-10P	22.86	27.94
AW2547R-11P	25.40	30.48
AW2547R-12P	27.94	33.02
AW2547R-13P	30.48	35.56
AW2547R-14P	33.02	38.10
AW2547R-15P	35.56	40.64
AW2547R-16P	38.10	43.18
AW2547R-17P	40.64	45.72
AW2547R-18P	43.18	48.26
AW2547R-19P	45.72	50.80
AW2547R-20P	48.26	53.34

Unless Otherwise specified tolerance
 X.±0.35 X.XX:±0.20
 X.X:±0.25 X.XXX:±0.15

SCALE: As Shown UNIT: mm
 DRAW ZLA DATE 08/27/2022
 CHECK BobYang DATE 08/27/2022



Antenk® ANTENK ELECTRONICS CO.,LTD
 Http://www.antenk.com
 E-mail:sales@antenk.com

TITLE:
 2.54mm pitch 90°Wafer Connector Series

DRAWING NO: AW2547R-NP
 PRODUCT NO: AW2547R-NP

REV	DESCRIPTION	DATE